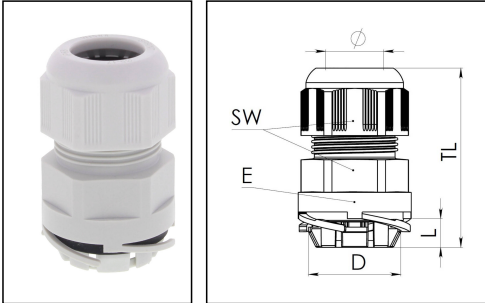


ESKV-P 32 LG

Cable gland, plastic, M32, RAL 7035



Products may differ in size, colour and appearance to those shown. If you require further information or customisation, please contact us directly.



| | |
|---------------------------------|-------------------------------|
| Material | Polyamide |
| Material sealing gasket | on cable EPDM, on housing TPE |
| Protection class | IP68 |
| Temp. range min | -40 °C |
| Temp. range max | 100 °C |
| Glow wire test | 750 °C |
| Ø Connection thread D | 32 |
| Length screw-in thread L | 6 mm |
| Ø cable diameter min | 13 mm |
| Ø cable diameter max | 21 mm |
| Key width SW | 36 mm |
| Collar diameter (E) | 43 mm |
| Total length TL | 44 mm - 58 mm |
| Ø Drilling | 32 mm - 32,2 mm |
| Wall thickness S | 0,5 mm - 4 mm |
| Product Color | RAL 7035 |
| Type | ESKV-P 32 LG |
| Order no. RAL 7035 | 10112630 |
| Packing unit | 10 |
| Tariff number | 39269097 |
| ETIM-Classification | EC000451 |

Recommended accessories

Your Contact:

WISKA India Pvt. Ltd.

Mr. Omkar Ashar · Unit No.247/248,Raheja Tesla Industrial District II , Edison Bldg No.-1A,
Plot No.GEN2/1/C/PART, TTC Industrial Area, MIDC, Juinagar, Navi Mumbai 400705, India

☎ +91-22-4967-1438 · ☎ +91-22-4967-1439 · o.ashar@wiska.in · www.wiska.in

| | |
|----------------------|----------|
| RDE 32 | 10062186 |
| BS 21 | 10064014 |
| MFD 32/04/070 | 10064344 |
| MFD 32/06/060 | 10064345 |
| MFD 32/04/080 | 10064950 |
| MFD 32/03/080 | 10101018 |
| MFD 32/05/070 | 10101140 |
| MFD 32/03/090 | 10102170 |

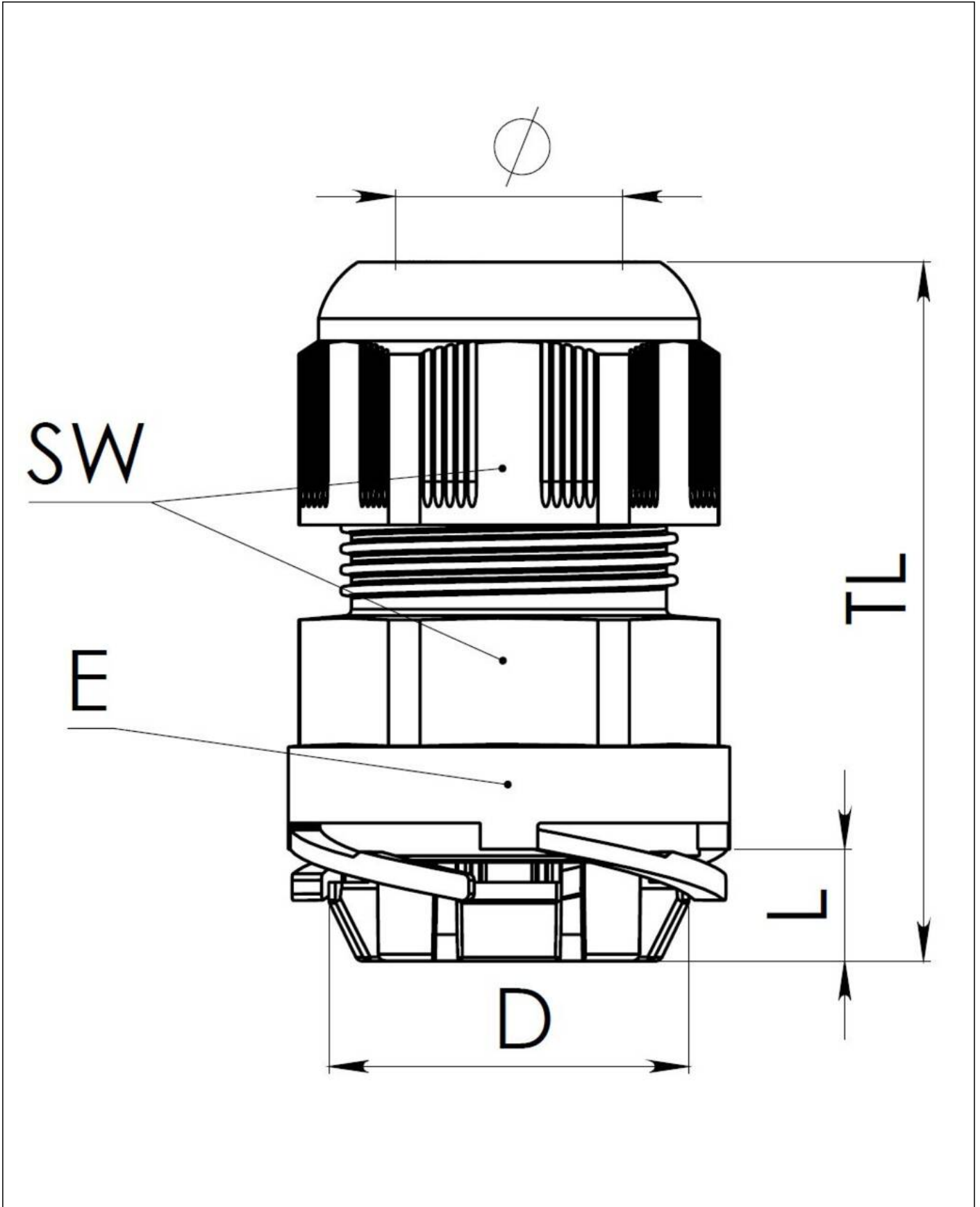
12.05.2026

Your Contact:

WISKA India Pvt. Ltd.

Mr. Omkar Ashar · Unit No.247/248,Raheja Tesla Industrial District II , Edison Bldg No.-1A,
Plot No.GEN2/1/C/PART, TTC Industrial Area, MIDC, Juinagar, Navi Mumbai 400705, India

☎ +91-22-4967-1438 · ☎ +91-22-4967-1439 · o.ashar@wiska.in · www.wiska.in



Your Contact:

WISKA India Pvt. Ltd.

Mr. Omkar Ashar · Unit No.247/248,Raheja Tesla Industrial District II , Edison Bldg No.-1A,
Plot No.GEN2/1/C/PART, TTC Industrial Area, MIDC, Juinagar, Navi Mumbai 400705, India

☎ +91-22-4967-1438 · ☎ +91-22-4967-1439 · o.ashar@wiska.in · www.wiska.in