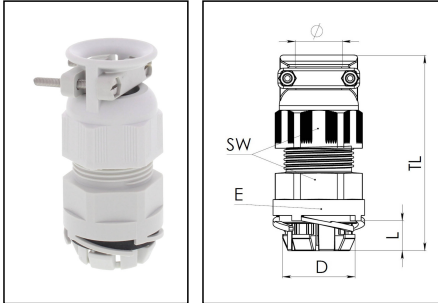


## ESKVZ-P 12 LG

Cable gland with external strain relief, plastic, M12, RAL 7035



Products may differ in size, colour and appearance to those shown. If you require further information or customisation, please contact us directly.



<b>Material</b>	Polyamide
<b>Material sealing gasket</b>	on cable EPDM, on housing TPE
<b>Protection class</b>	IP68
<b>Temp. range min</b>	-40 °C
<b>Temp. range max</b>	100 °C
<b>Glow wire test</b>	750 °C
<b>Ø Connection thread D</b>	12
<b>Length screw-in thread L</b>	6 mm
<b>Ø cable diameter min</b>	3 mm
<b>Ø cable diameter max</b>	7 mm
<b>Key width SW</b>	16 mm
<b>Collar diameter (E)</b>	19 mm
<b>Total length TL</b>	39 mm - 47,5 mm
<b>Ø Drilling</b>	12 mm - 12,2 mm
<b>Wall thickness S</b>	0,5 mm - 3 mm
<b>Product Color</b>	RAL 7035
<b>Type</b>	ESKVZ-P 12 LG
<b>Order no. RAL 7035</b>	10112643
<b>Packing unit</b>	50
<b>Tariff number</b>	39269097
<b>ETIM-Classification</b>	EC000451

### Recommended accessories

Your Contact:

WISKA India Pvt. Ltd.

Mr. Omkar Ashar · Unit No.247/248,Raheja Tesla Industrial District II , Edison Bldg No.-1A,  
Plot No.GEN2/1/C/PART, TTC Industrial Area, MIDC, Juinagar, Navi Mumbai 400705, India

☎ +91-22-4967-1438 · ☎ +91-22-4967-1439 · o.ashar@wiska.in · www.wiska.in

<b>RDE 12</b>	10062183
<b>BS 7</b>	10064005

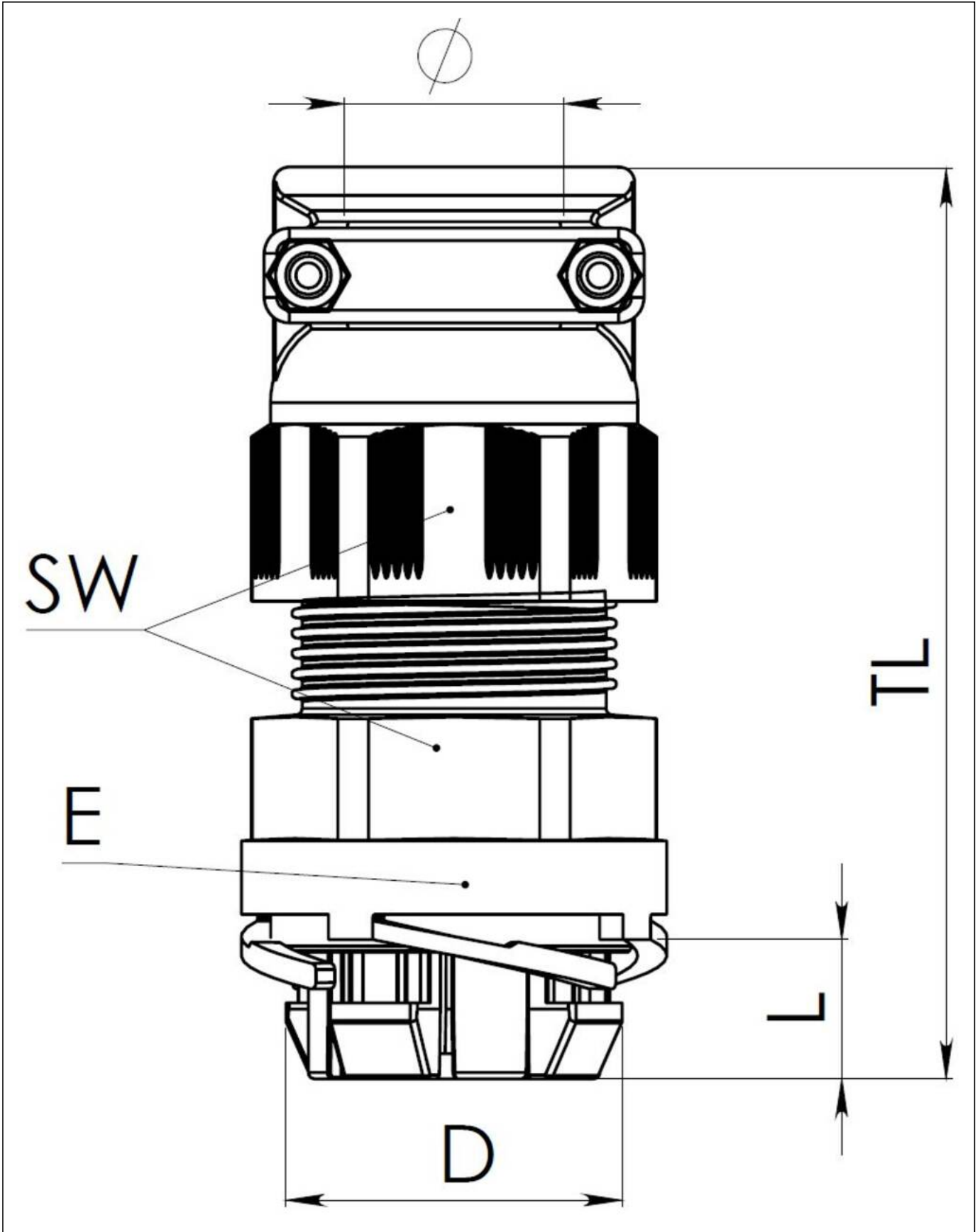
12.05.2026

Your Contact:

**WISKA India Pvt. Ltd.**

Mr. Omkar Ashar · Unit No.247/248,Raheja Tesla Industrial District II , Edison Bldg No.-1A,  
Plot No.GEN2/1/C/PART, TTC Industrial Area, MIDC, Juinagar, Navi Mumbai 400705, India

☎ +91-22-4967-1438 · ☎ +91-22-4967-1439 · o.ashar@wiska.in · www.wiska.in



Your Contact:

**WISKA India Pvt. Ltd.**

Mr. Omkar Ashar · Unit No.247/248,Raheja Tesla Industrial District II , Edison Bldg No.-1A,  
Plot No.GEN2/1/C/PART, TTC Industrial Area, MIDC, Juinagar, Navi Mumbai 400705, India

☎ +91-22-4967-1438 · ☎ +91-22-4967-1439 · o.ashar@wiska.in · www.wiska.in

Other technical data on request / subject to change without notice