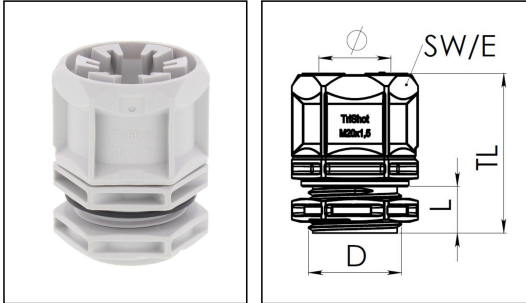


## TriShot® ETKV-SET 20 LG

Cable gland, plastic, M20, RAL 7035, with locknut



Products may differ in size, colour and appearance to those shown. If you require further information or customisation, please contact us directly.

|                                 |                          |
|---------------------------------|--------------------------|
| <b>Material cable gland</b>     | Polypropylene, Polyamide |
| <b>Material sealing gasket</b>  | TPE                      |
| <b>Protection class</b>         | IP68                     |
| <b>Temp. range min</b>          | -40 °C                   |
| <b>Temp. range max</b>          | 100 °C                   |
| <b>Glow wire test</b>           | 650 °C                   |
| <b>Thread type</b>              | M                        |
| <b>Ø Connection thread D</b>    | 20                       |
| <b>Lead</b>                     | 1,5                      |
| <b>Length screw-in thread L</b> | 10 mm                    |
| <b>Ø cable diameter min</b>     | 6 mm                     |
| <b>Ø cable diameter max</b>     | 14 mm                    |
| <b>Key width SW</b>             | 24 mm                    |
| <b>Collar diameter (E)</b>      | 27 mm                    |
| <b>Total length TL</b>          | 32 mm                    |
| <b>Equipment</b>                | incl. locknut            |
| <b>Product Color</b>            | RAL 7035                 |
| <b>Type</b>                     | TriShot® ETKV-SET 20 LG  |
| <b>Order no. RAL 7035</b>       | 10112715                 |
| <b>Packing unit</b>             | 50                       |
| <b>EAN number</b>               | 4007686301649            |
| <b>Tariff number</b>            | 39269097                 |
| <b>ETIM-Classification</b>      | EC000441                 |

Your Contact:

WISKA India Pvt. Ltd.

Mr. Omkar Ashar · Unit No.247/248,Raheja Tesla Industrial District II , Edison Bldg No.-1A,  
Plot No.GEN2/1/C/PART, TTC Industrial Area, MIDC, Juinagar, Navi Mumbai 400705, India

☎ +91-22-4967-1438 · ☎ +91-22-4967-1439 · o.ashar@wiska.in · www.wiska.in

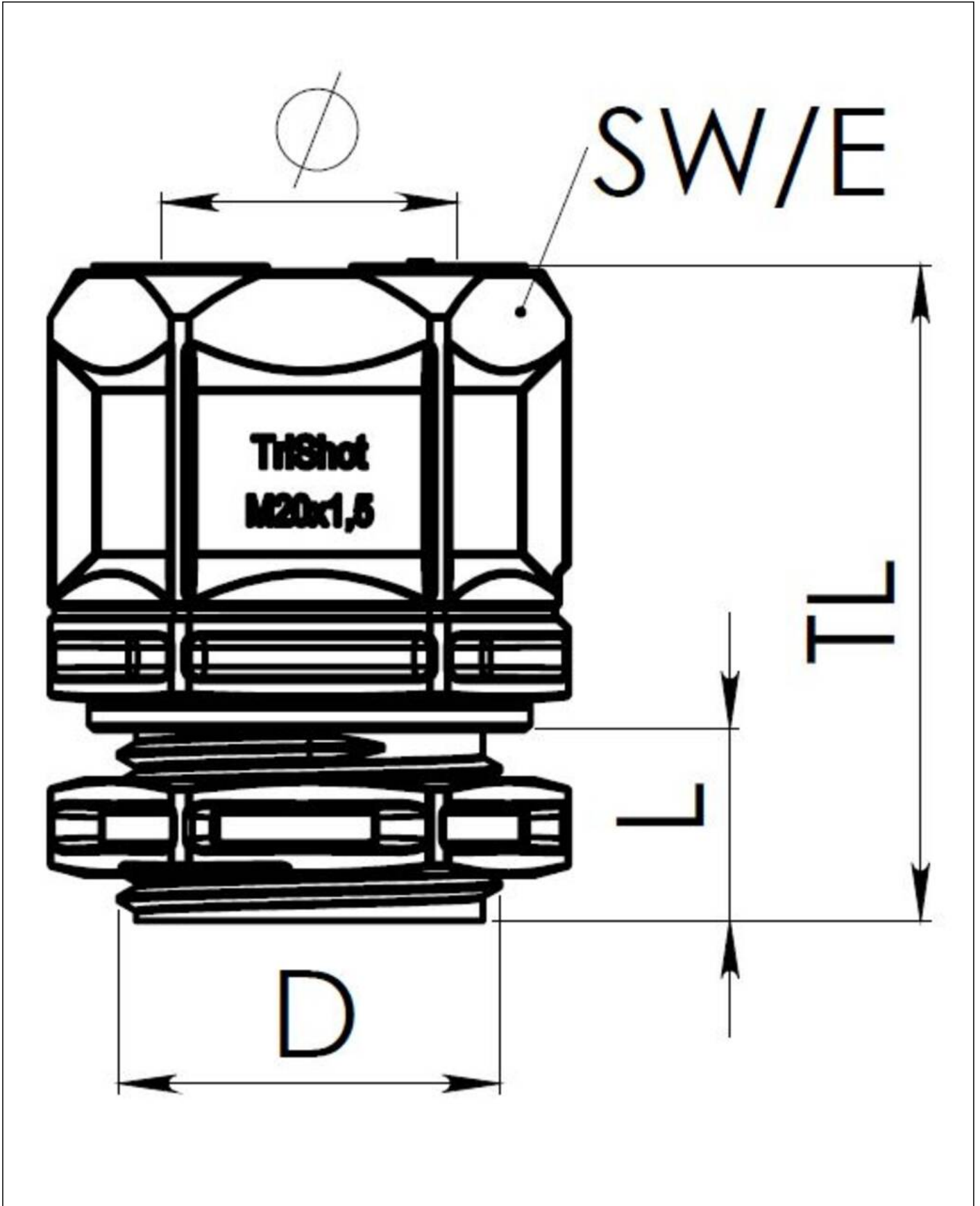
12.05.2026

Your Contact:

**WISKA India Pvt. Ltd.**

Mr. Omkar Ashar · Unit No.247/248,Raheja Tesla Industrial District II , Edison Bldg No.-1A,  
Plot No.GEN2/1/C/PART, TTC Industrial Area, MIDC, Juinagar, Navi Mumbai 400705, India

☎ +91-22-4967-1438 · ☎ +91-22-4967-1439 · o.ashar@wiska.in · www.wiska.in



Your Contact:

WISKA India Pvt. Ltd.

Mr. Omkar Ashar · Unit No.247/248,Raheja Tesla Industrial District II , Edison Bldg No.-1A,  
Plot No.GEN2/1/C/PART, TTC Industrial Area, MIDC, Juinagar, Navi Mumbai 400705, India

☎ +91-22-4967-1438 · ☎ +91-22-4967-1439 · o.ashar@wiska.in · www.wiska.in