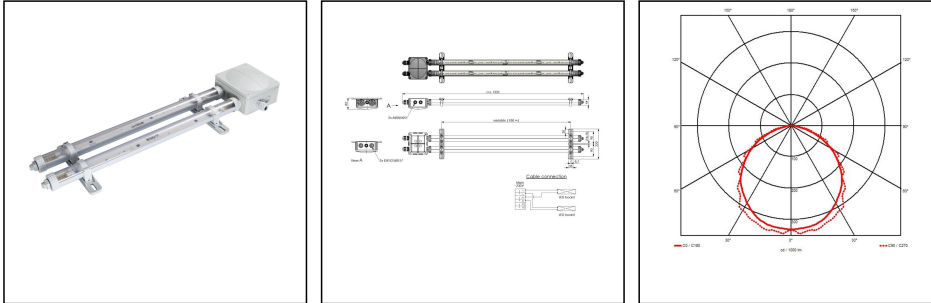


4000-2x26-230-2-CA-LE

LED multi-purpose luminaire 4000, 2x26W 230V, plastic, IP66/67



Products may differ in size, colour and appearance to those shown. If you require further information or customisation, please contact us directly.



WISKA-Order no.	10112728
Type	4000-2x26-230-2-CA-LE
Material	Polycarbonate
Globe colour	Clear
Wattage	52 W
Power^	2 x 26 W
Voltage	230 V
Protection class	IP66 / IP67
Type of Voltage	AC
Frequence	50/60 Hz
Connection	connection box 1210
Operational areas	Engine room, Cargo hold, Outdoor
Temp. range min	-30 °C
Temp. range max	55 °C
Lightsource	LED
Lightsource incl.	Yes
Colour temperature	5600 K
Luminous flux	5600 lm
Colour rendering index	CRI > 80
Ø cable diameter min	7,5 mm
Ø cable diameter max	14 mm
Rated Lifetime	L70/B50 @Ta +35 °C
System Lifetime	100000 h
Mounting	Ceiling, Wall, Surface mounting
Colour	RAL 7035

Your Contact:

WISKA India Pvt. Ltd.

Mr. Omkar Ashar · Unit No.247/248,Raheja Tesla Industrial District II , Edison Bldg No.-1A,
Plot No.GEN2/1/C/PART, TTC Industrial Area, MIDC, Juinagar, Navi Mumbai 400705, India

☎ +91-22-4967-1438 · ☎ +91-22-4967-1439 · o.ashar@wiska.in · www.wiska.in

External dimensions LxWxH	1292x220x83mm
Approval	RMRS, DNV-GL
Weight	1,2 kg

Remarks:

LED strip
VentPLUG mounted in end cap
Connection box COMBI MAR 1210
2 cable glands ESKV 20 Plus included
Mounting via 2 mounting rails

Recommended accessories

SP-MPL Vibration damper (2 pcs)	22000874
--	----------

Spare parts

SP-4000-Pipe clamps with rail	22000723
--------------------------------------	----------

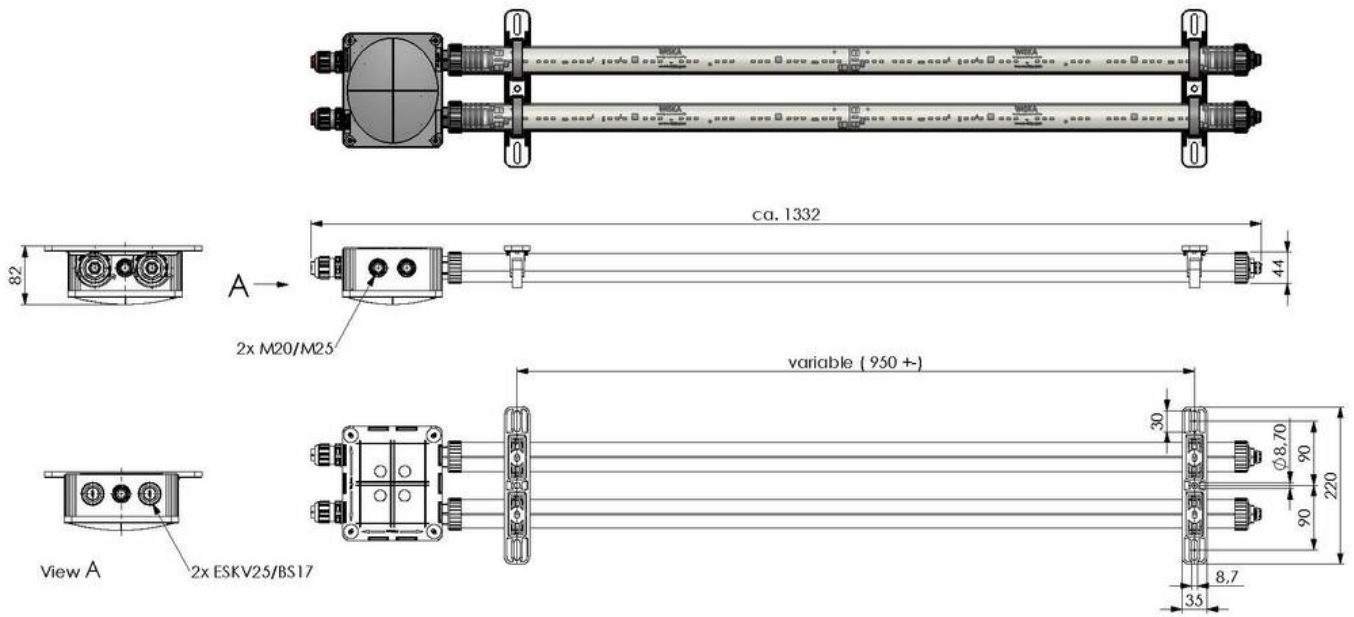
17.06.2026

Your Contact:

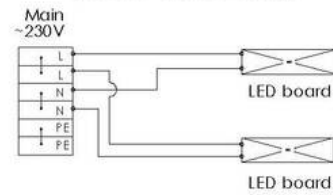
WISKA India Pvt. Ltd.

Mr. Omkar Ashar · Unit No.247/248,Raheja Tesla Industrial District II , Edison Bldg No.-1A,
Plot No.GEN2/1/C/PART, TTC Industrial Area, MIDC, Juinagar, Navi Mumbai 400705, India

☎ +91-22-4967-1438 · ☎ +91-22-4967-1439 · o.ashar@wiska.in · www.wiska.in



Cable connection

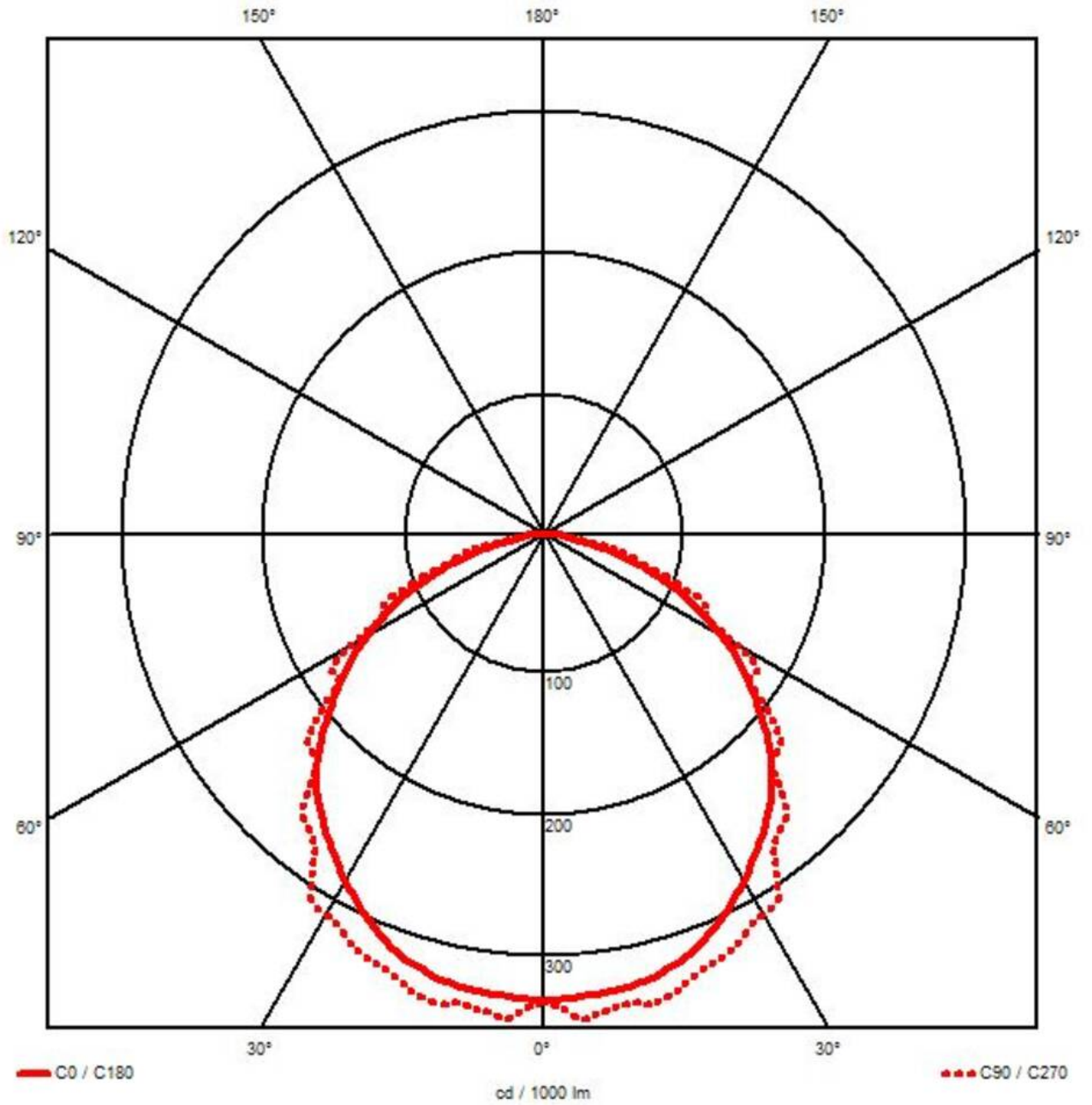


Your Contact:

WISKA India Pvt. Ltd.

Mr. Omkar Ashar · Unit No.247/248,Raheja Tesla Industrial District II , Edison Bldg No.-1A,
Plot No.GEN2/1/C/PART, TTC Industrial Area, MIDC, Juinagar, Navi Mumbai 400705, India

☎ +91-22-4967-1438 · ☎ +91-22-4967-1439 · o.ashar@wiska.in · www.wiska.in



Your Contact:

WISKA India Pvt. Ltd.

Mr. Omkar Ashar · Unit No.247/248,Raheja Tesla Industrial District II , Edison Bldg No.-1A,
Plot No.GEN2/1/C/PART, TTC Industrial Area, MIDC, Juinagar, Navi Mumbai 400705, India

☎ +91-22-4967-1438 · ☎ +91-22-4967-1439 · o.ashar@wiska.in · www.wiska.in

Other technical data on request / subject to change without notice