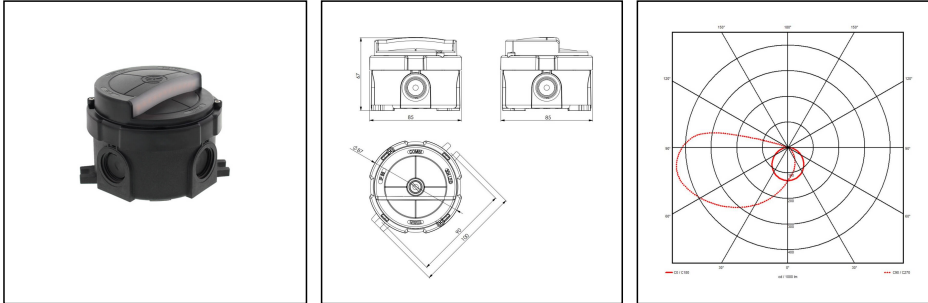


COMBI MARITIM 304 LED AC T BK

LED-luminaire 304 plastic LED-Modul 2,5W 230VAC



Products may differ in size, colour and appearance to those shown. If you require further information or customisation, please contact us directly.

WISKA-Order no.	10112746
Type	COMBI MARITIM 304 LED AC T BK
Material	Plastic
Globe colour	Opal
Power[^]	2,5 W
Voltage	230 V
Protection class	IP66
Type of Voltage	AC / DC
Frequence	50/60 Hz
Operational areas	Outdoor, Indoor
Temp. range min	-20 °C
Temp. range max	45 °C
Lightsource	LED
Lightsource incl.	Yes
Colour temperature	2700 K
Luminous flux	200 lm
Colour rendering index	RA>90
Type of cable gland	M 20 x 1,5
Ø cable diameter min	6 mm
Ø cable diameter max	13 mm
Average lamp durability	30000 h
Rated Lifetime	L90/B10 @Ta +45 °C
Mounting	Surface mounting, Wall
Material cable gland	Polyamide
Colour	Black

Your Contact:

WISKA India Pvt. Ltd.

Mr. Omkar Ashar · Unit No.247/248,Raheja Tesla Industrial District II , Edison Bldg No.-1A,
Plot No.GEN2/1/C/PART, TTC Industrial Area, MIDC, Juinagar, Navi Mumbai 400705, India

☎ +91-22-4967-1438 · ☎ +91-22-4967-1439 · o.ashar@wiska.in · www.wiska.in

Equipment	Through wiring
External dimensions LxWxH	Ø 87 x 67 mm
Weight	0,16 kg

Remarks:

- incl. 2 cable glands
 - 1x ESKV 20 BK für Kabel Ø 6-13mm
 - 1x Ventgland M20 BK
- enclosed loose

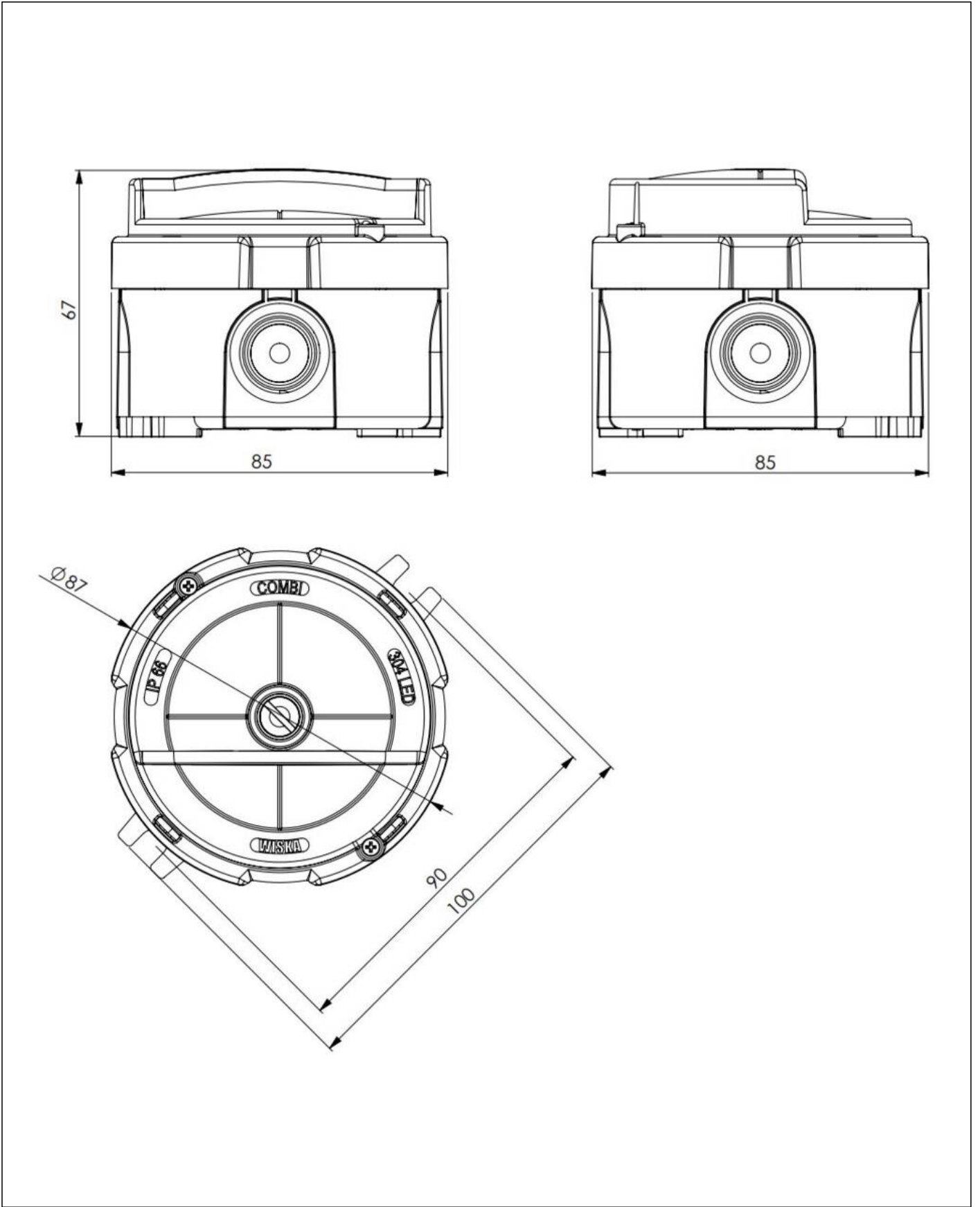
12.05.2026

Your Contact:

WISKA India Pvt. Ltd.

Mr. Omkar Ashar · Unit No.247/248,Raheja Tesla Industrial District II , Edison Bldg No.-1A,
Plot No.GEN2/1/C/PART, TTC Industrial Area, MIDC, Juinagar, Navi Mumbai 400705, India

☎ +91-22-4967-1438 · ☎ +91-22-4967-1439 · o.ashar@wiska.in · www.wiska.in

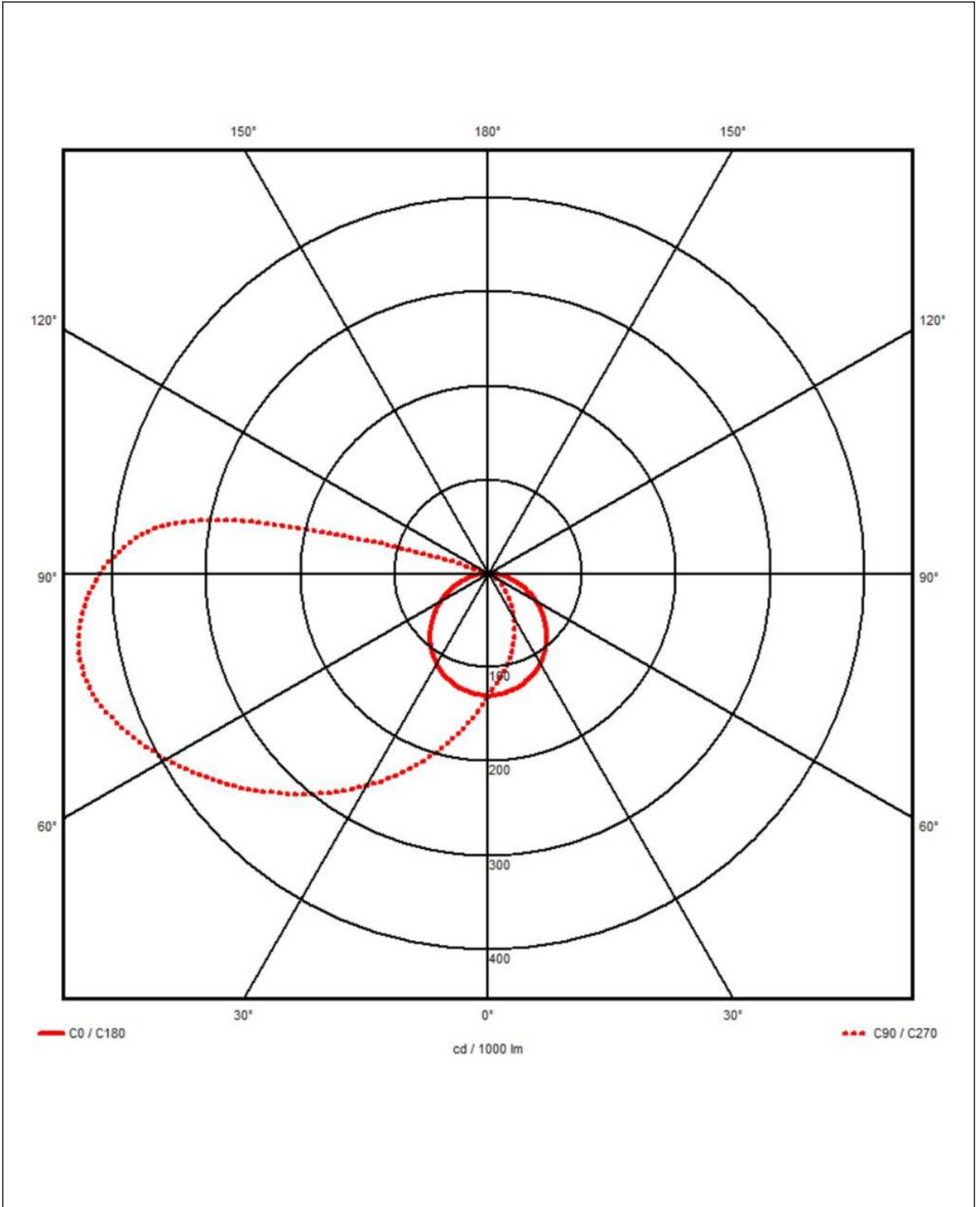


Your Contact:

WISKA India Pvt. Ltd.

Mr. Omkar Ashar · Unit No.247/248,Raheja Tesla Industrial District II , Edison Bldg No.-1A,
Plot No.GEN2/1/C/PART, TTC Industrial Area, MIDC, Juinagar, Navi Mumbai 400705, India

☎ +91-22-4967-1438 · ☎ +91-22-4967-1439 · o.ashar@wiska.in · www.wiska.in



Your Contact:

WISKA India Pvt. Ltd.

Mr. Omkar Ashar · Unit No.247/248,Raheja Tesla Industrial District II , Edison Bldg No.-1A,
Plot No.GEN2/1/C/PART, TTC Industrial Area, MIDC, Juinagar, Navi Mumbai 400705, India

☎ +91-22-4967-1438 · ☎ +91-22-4967-1439 · o.ashar@wiska.in · www.wiska.in

Other technical data on request / subject to change without notice