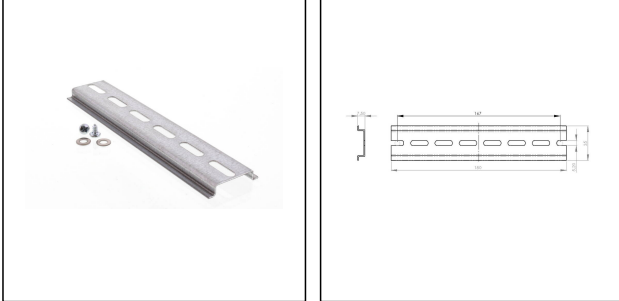


DIN Rail Kit - COMBI 1610/TS35

DIN Rail Kit for installation of terminals



Products may differ in size, colour and appearance to those shown. If you require further information or customisation, please contact us directly.

Material	galvanized steel
Type	DIN Rail Kit - COMBI 1610/TS35
WISKA-Order no.	10112803
Packing unit	1
Tariff number	39269097

Remarks:

rail TS35 + fixing material

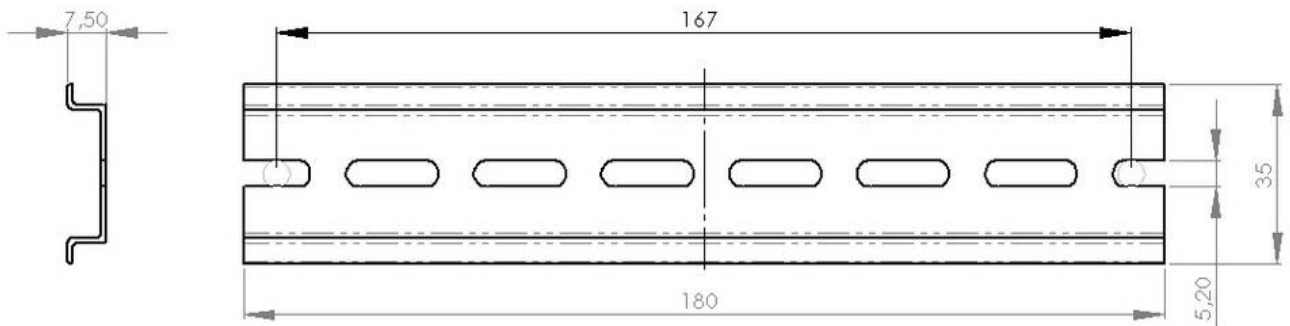
12.05.2026

Your Contact:

WISKA India Pvt. Ltd.

Mr. Omkar Ashar · Unit No.247/248,Raheja Tesla Industrial District II , Edison Bldg No.-1A,
Plot No.GEN2/1/C/PART, TTC Industrial Area, MIDC, Juinagar, Navi Mumbai 400705, India

☎ +91-22-4967-1438 · ☎ +91-22-4967-1439 · o.ashar@wiska.in · www.wiska.in



Your Contact:

WISKA India Pvt. Ltd.

Mr. Omkar Ashar · Unit No.247/248,Raheja Tesla Industrial District II , Edison Bldg No.-1A,
Plot No.GEN2/1/C/PART, TTC Industrial Area, MIDC, Juinagar, Navi Mumbai 400705, India

☎ +91-22-4967-1438 · ☎ +91-22-4967-1439 · o.ashar@wiska.in · www.wiska.in