

D300-EX/42212-2/IP/PTZ/P

Ex outdoor network camera station, flameproof, Zone 1, IECEx



Products may differ in size, colour and appearance to those shown. If you require further information or customisation, please contact us directly.



Type	D300-EX/42212-2/IP/PTZ/P
WISKA-Order no.	10112841
Material	Stainless steel
Surface	Powder coated
Colour	RAL 9016
Material Dome	polycarbonate
Operational areas	Explosion protection
Zone	1
Explosion Groups	IIIC, IIC
Temp.-class	T6
Marking	II 2 D Ex tb IIIC T85°C Db, II 2 G Ex db IIC T6 Gb
Weight	6,5 kg
Protection class	IP66, IP68 (2m, 2h)
Temp. range min	-30 °C
Temp. range max	55 °C
Humidity	100 %
Wash&Wipe	No
Resolution	HDTV 1080p (2MP)
Image Sensor	1/2.8" CMOS
Video Standard	Digital
Video Streaming	H.264/MJPEG
Zoom	Yes
Zoom (opt. x digi.)	64 (opt: 4x digi: 16x)
Frames per Second	30
Lighting Conditions	Low light

Your Contact:

WISKA India Pvt. Ltd.

Mr. Omkar Ashar · Unit No.247/248,Raheja Tesla Industrial District II , Edison Bldg No.-1A,
Plot No.GEN2/1/C/PART, TTC Industrial Area, MIDC, Juinagar, Navi Mumbai 400705, India

+91-22-4967-1438 · +91-22-4967-1439 · o.ashar@wiska.in · www.wiska.in

Min. illumination	0,005 lx / 0,0005 lx (b/w)
Angle of View (horizontal)	58,2° - 4,8°
Angle of View (vertical)	32.9° - 2.8°
Pan/Tilt	Remote operated
P/T-Type	included
Presets P/T	Yes
Rotation horizontal	360 °
Rotation vertical	180°
Mounting	Upside down, vertical
Type of Voltage	POE+ (IEEE 802.at)
Wattage	12 W
Junction box required	Yes
CCTV add-on	BLC, HLC, WDR
Tariff number	85258100

Remarks:

Ex-proof IP camera station, type D300

Zone 1 - IP66/IP68(2m,2h)

II 2G Ex db IIC T6 Gb

II 2D Ex tb IIIC T85°C Db

EPS 18 ATEX 1 125 X

IECEX EPS 18.0058X

Resolution: 2MP / 1080p / @25/30fps

Zoom: 4x (optical) / 16x (digital), PTZ,

Preset, endless rotation, low light /

starlight technology,

Power: POE +

5m connection cable

Recommended accessories

510/2/11xRK1,5/2x25	10104222
----------------------------	----------

12.05.2026

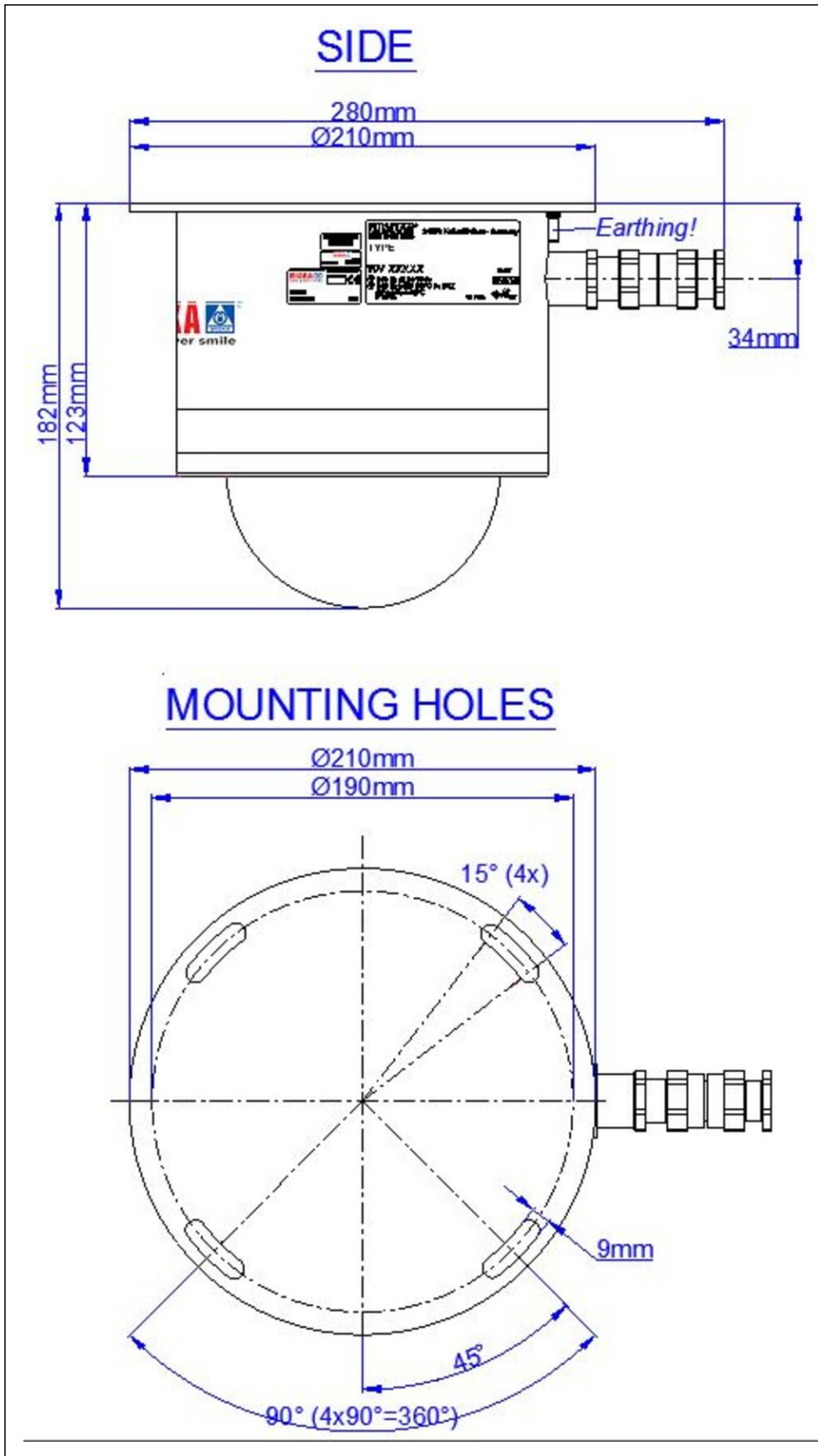
Your Contact:

WISKA India Pvt. Ltd.

Mr. Omkar Ashar · Unit No.247/248,Raheja Tesla Industrial District II , Edison Bldg No.-1A,

Plot No.GEN2/1/C/PART, TTC Industrial Area, MIDC, Juinagar, Navi Mumbai 400705, India

☎ +91-22-4967-1438 · ☎ +91-22-4967-1439 · o.ashar@wiska.in · www.wiska.in



Your Contact:

WISKA India Pvt. Ltd.

Mr. Omkar Ashar · Unit No.247/248,Raheja Tesla Industrial District II , Edison Bldg No.-1A,
Plot No.GEN2/1/C/PART, TTC Industrial Area, MIDC, Juinagar, Navi Mumbai 400705, India

☎ +91-22-4967-1438 · ☎ +91-22-4967-1439 · o.ashar@wiska.in · www.wiska.in