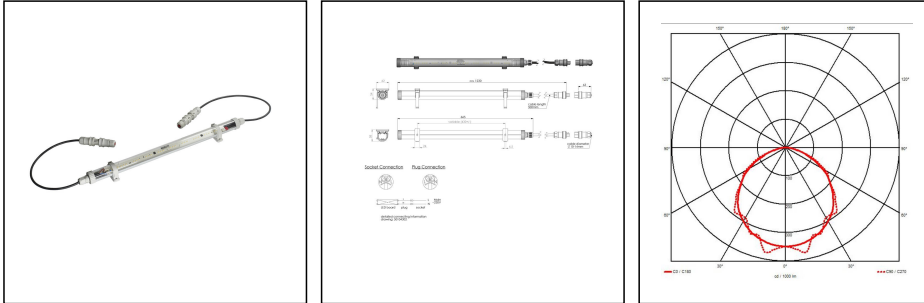


4000-1x13-230-4-S-SR0-LE

LED multi-purpose luminaire 4000, 1x13W 230V, plastic, IP68



Products may differ in size, colour and appearance to those shown. If you require further information or customisation, please contact us directly.



WISKA-Order no.	10112852
Type	4000-1x13-230-4-S-SR0-LE
Material	Polycarbonate
Globe colour	Clear
Wattage	13 W
Power[^]	1 x 13 W
Voltage	230 V
Protection class	IP66 / IP68 (0,2 bar 30min)
Type of Voltage	AC
Frequence	50/60 Hz
Connection	plug-cable-socket
Operational areas	Outdoor, Engine room, Cargo hold
Temp. range min	-30 °C
Temp. range max	55 °C
Lightsource	LED
Lightsource incl.	Yes
Colour temperature	5600 K
Luminous flux	1400 lm
Colour rendering index	CRI > 80
Ø cable diameter min	10 mm
Ø cable diameter max	14 mm
Rated Lifetime	L70/B50 @Ta +35 °C
System Lifetime	100000 h
Mounting	Ceiling, Wall, Surface mounting
Colour	RAL 7035

Your Contact:

WISKA India Pvt. Ltd.

Mr. Omkar Ashar · Unit No.247/248,Raheja Tesla Industrial District II , Edison Bldg No.-1A,
Plot No.GEN2/1/C/PART, TTC Industrial Area, MIDC, Juinagar, Navi Mumbai 400705, India

☎ +91-22-4967-1438 · ☎ +91-22-4967-1439 · o.ashar@wiska.in · www.wiska.in

External dimensions LxWxH	694x62x54mm
Approval	RMRS, DNV-GL
Weight	0,64 kg

Remarks:

LED stri

0,5m connection cable 2x1,5mm²

with Wieland quick connector male/female

without throughwiring

For cable out diameter 10-14mm

Breathing via VentGland mounted to end cap

Mounting via two clamps

Recommended accessories

SP-4000-Pipe clamp stainless steel 2 pcs	22001016
---	----------

Spare parts

SP-4000-Pipe clamps set for COMBI	22001364
--	----------

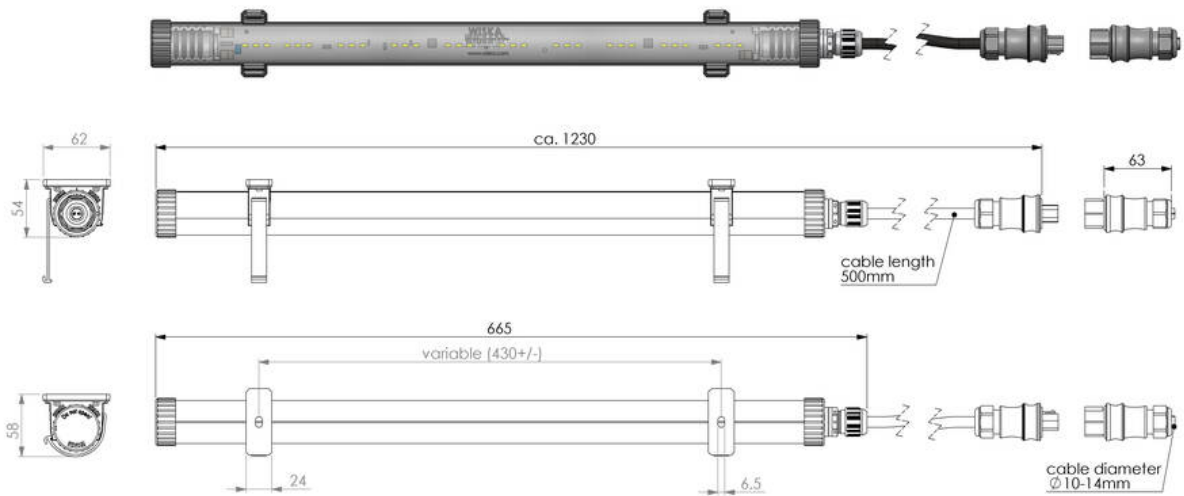
17.06.2026

Your Contact:

WISKA India Pvt. Ltd.

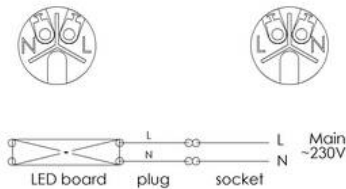
Mr. Omkar Ashar · Unit No.247/248,Raheja Tesla Industrial District II , Edison Bldg No.-1A,
Plot No.GEN2/1/C/PART, TTC Industrial Area, MIDC, Juinagar, Navi Mumbai 400705, India

☎ +91-22-4967-1438 · ☎ +91-22-4967-1439 · o.ashar@wiska.in · www.wiska.in



Socket Connection

Plug Connection



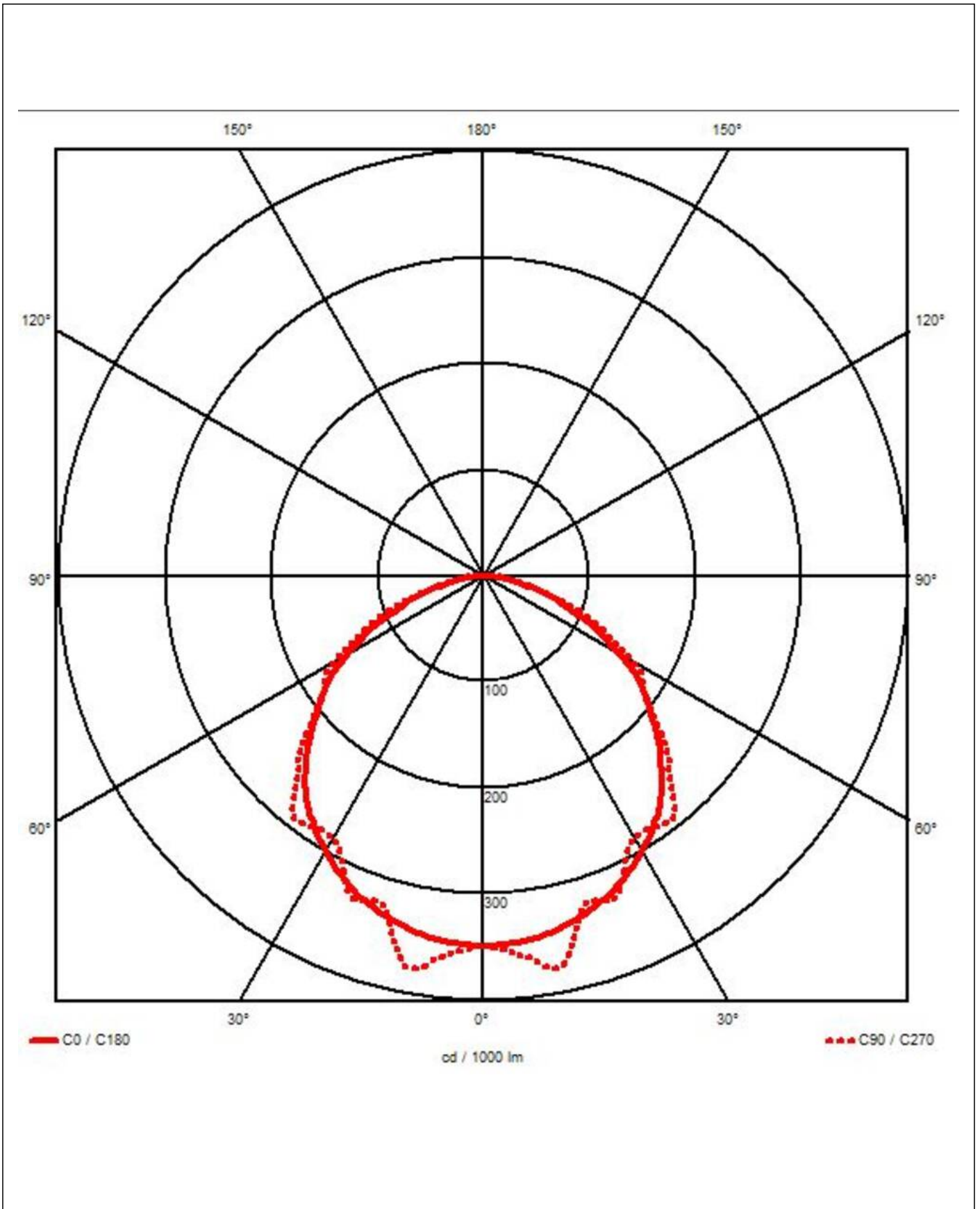
detailed connecting information
drawing: 50104302

Your Contact:

WISKA India Pvt. Ltd.

Mr. Omkar Ashar · Unit No.247/248,Raheja Tesla Industrial District II , Edison Bldg No.-1A,
Plot No.GEN2/1/C/PART, TTC Industrial Area, MIDC, Juinagar, Navi Mumbai 400705, India

☎ +91-22-4967-1438 · ☎ +91-22-4967-1439 · o.ashar@wiska.in · www.wiska.in



Your Contact:

WISKA India Pvt. Ltd.

Mr. Omkar Ashar · Unit No.247/248, Raheja Tesla Industrial District II , Edison Bldg No.-1A,
Plot No.GEN2/1/C/PART, TTC Industrial Area, MIDC, Juinagar, Navi Mumbai 400705, India

☎ +91-22-4967-1438 · ☎ +91-22-4967-1439 · o.ashar@wiska.in · www.wiska.in

Other technical data on request / subject to change without notice