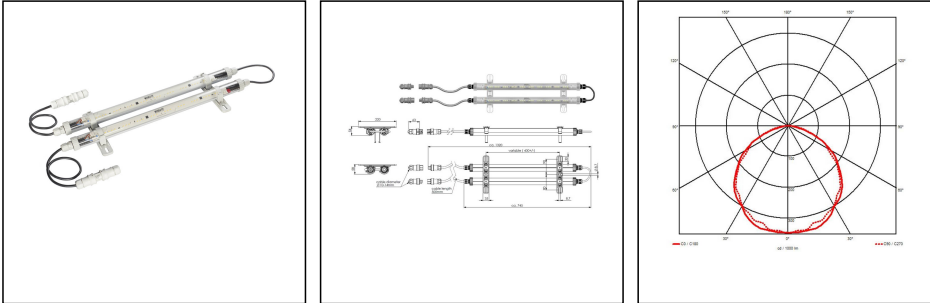


4000-2x13-230-4-T-SR0-LE

LED multi-purpose luminaire 4000, 2x13W 230V, plastic, IP68



Products may differ in size, colour and appearance to those shown. If you require further information or customisation, please contact us directly.



WISKA-Order no.	10112863
Type	4000-2x13-230-4-T-SR0-LE
Material	Polycarbonate
Globe colour	Clear
Wattage	26 W
Power[^]	2 x 13 W
Voltage	230 V
Protection class	IP66 / IP68 (0,2 bar 30min)
Type of Voltage	AC
Frequence	50/60 Hz
Connection	plug-cable-socket
Operational areas	Outdoor, Engine room, Cargo hold
Temp. range min	-30 °C
Temp. range max	55 °C
Lightsource	LED
Lightsource incl.	Yes
Colour temperature	5600 K
Luminous flux	2800 lm
Colour rendering index	CRI > 80
Ø cable diameter min	10 mm
Ø cable diameter max	14 mm
Through wiring	2x1,5mm ²
Rated Lifetime	L70/B50 @Ta +35 °C
System Lifetime	100000 h
Mounting	Ceiling, Wall, Surface mounting

Your Contact:

WISKA India Pvt. Ltd.

Mr. Omkar Ashar · Unit No.247/248,Raheja Tesla Industrial District II , Edison Bldg No.-1A,
Plot No.GEN2/1/C/PART, TTC Industrial Area, MIDC, Juinagar, Navi Mumbai 400705, India

☎ +91-22-4967-1438 · ☎ +91-22-4967-1439 · o.ashar@wiska.in · www.wiska.in

Colour	RAL 7035
Equipment	Through wiring
External dimensions LxWxH	750x220x54mm
Approval	RMRS, DNV-GL
Weight	1,2 kg

Remarks:

LED strip

0,5m connection cable 2x1,5mm²

with two Wieland quick connector

male/female

for cable out diameter 10-14mm

with throughwiring

Breathing via VentGLAND®

mounted in end cap

Mounting via two rails

Recommended accessories

SP-MPL Vibration damper (2 pcs)	22000874
--	----------

Spare parts

SP-4000-Pipe clamps with rail	22000723
--------------------------------------	----------

17.06.2026

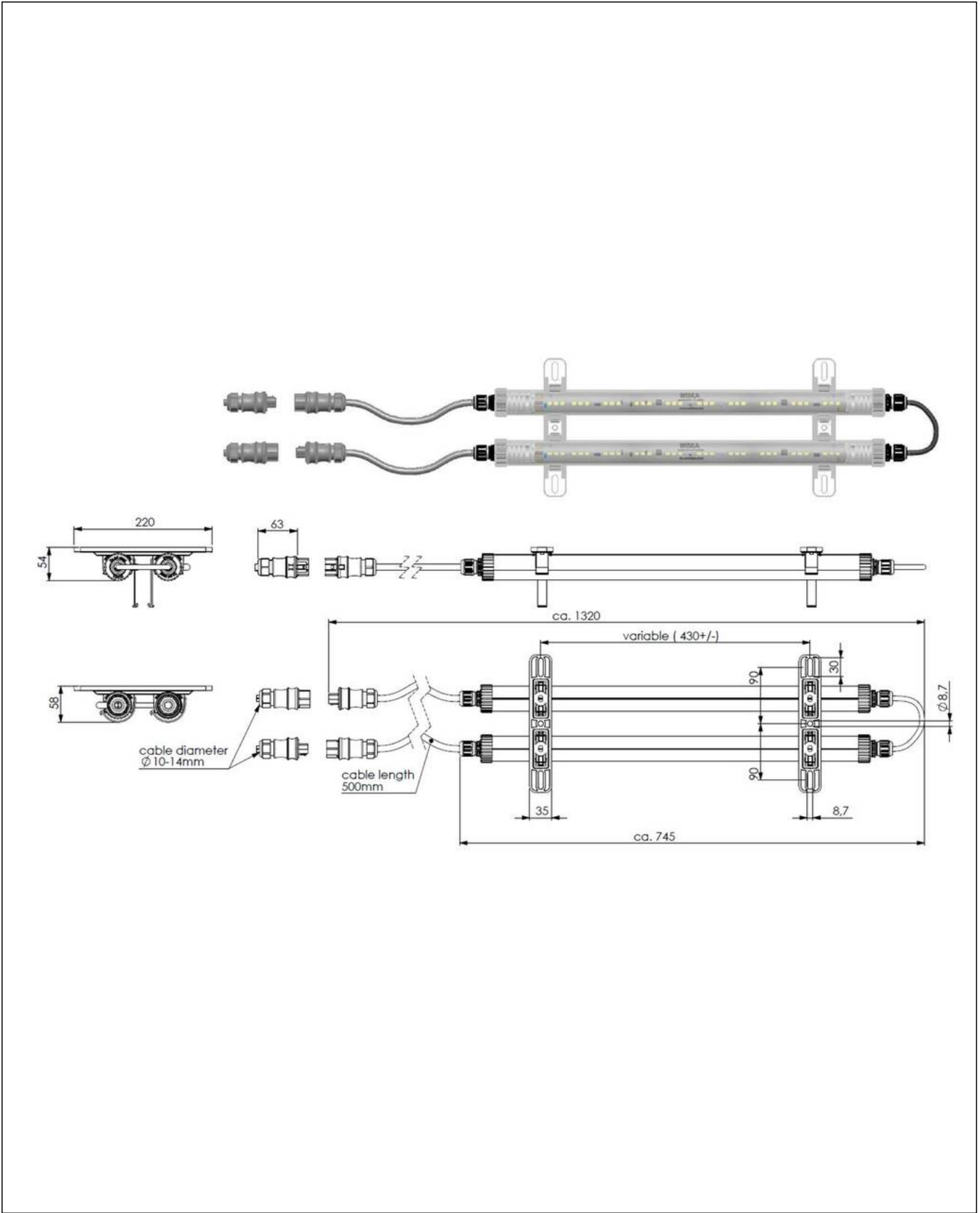
Your Contact:

WISKA India Pvt. Ltd.

Mr. Omkar Ashar · Unit No.247/248,Raheja Tesla Industrial District II , Edison Bldg No.-1A,

Plot No.GEN2/1/C/PART, TTC Industrial Area, MIDC, Juinagar, Navi Mumbai 400705, India

☎ +91-22-4967-1438 · ☎ +91-22-4967-1439 · o.ashar@wiska.in · www.wiska.in

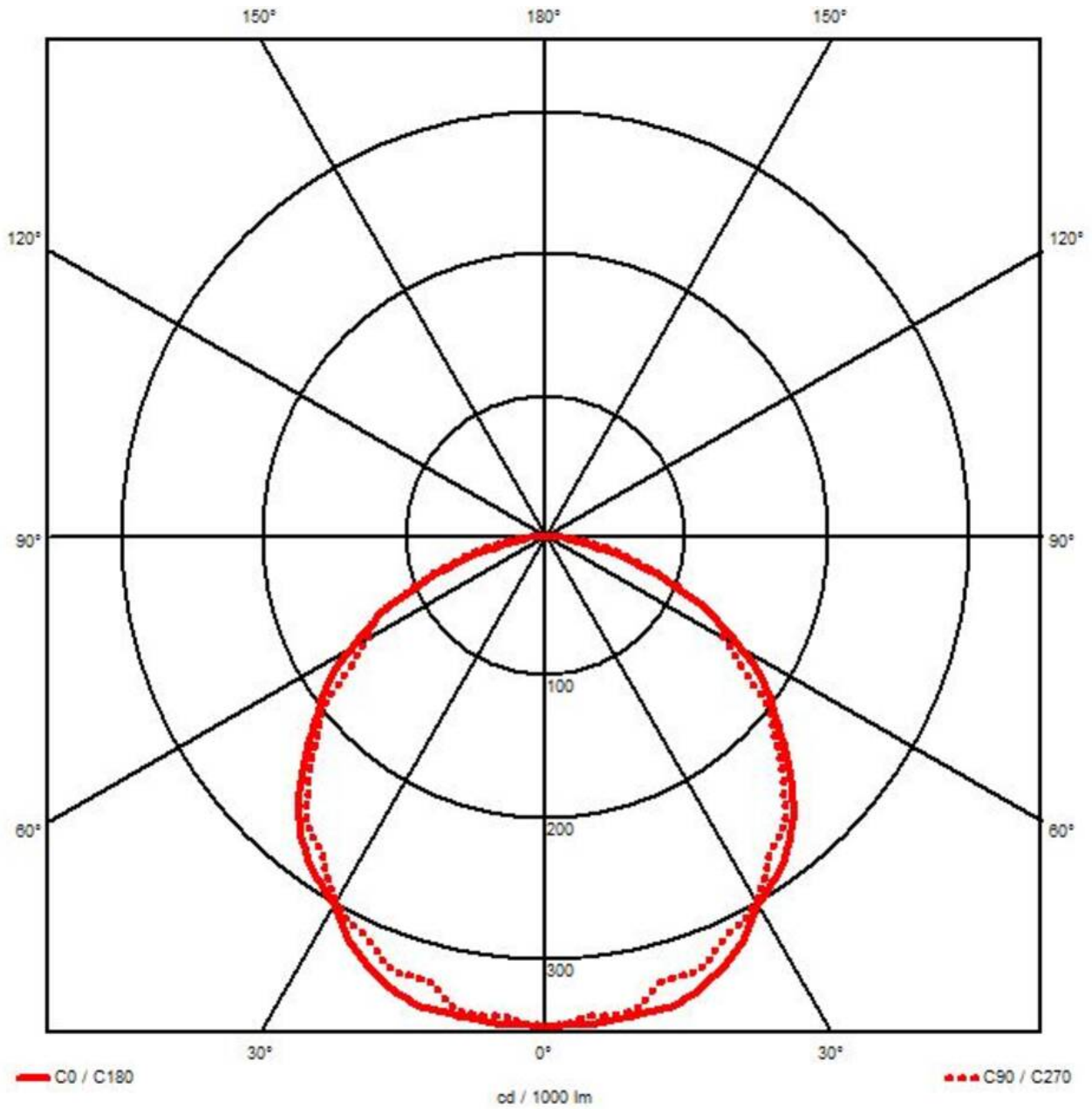


Your Contact:

WISKA India Pvt. Ltd.

Mr. Omkar Ashar · Unit No.247/248,Raheja Tesla Industrial District II , Edison Bldg No.-1A,
Plot No.GEN2/1/C/PART, TTC Industrial Area, MIDC, Juinagar, Navi Mumbai 400705, India

☎ +91-22-4967-1438 · ☎ +91-22-4967-1439 · o.ashar@wiska.in · www.wiska.in



Your Contact:

WISKA India Pvt. Ltd.

Mr. Omkar Ashar · Unit No.247/248,Raheja Tesla Industrial District II , Edison Bldg No.-1A,
Plot No.GEN2/1/C/PART, TTC Industrial Area, MIDC, Juinagar, Navi Mumbai 400705, India

☎ +91-22-4967-1438 · ☎ +91-22-4967-1439 · o.ashar@wiska.in · www.wiska.in

Other technical data on request / subject to change without notice