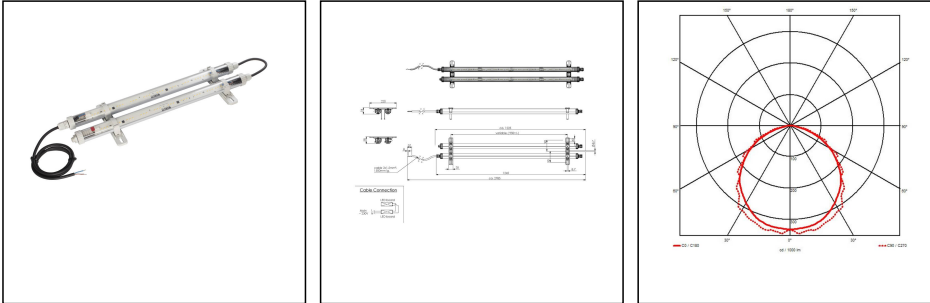


4000-2x26-230-3-S-LE

LED multi-purpose luminaire 4000, 2x26W 230V, plastic, IP68



Products may differ in size, colour and appearance to those shown. If you require further information or customisation, please contact us directly.



WISKA-Order no.	10112866
Type	4000-2x26-230-3-S-LE
Material	Polycarbonate
Globe colour	Clear
Wattage	52 W
Power[^]	2 x 26 W
Voltage	230 V
Protection class	IP66 / IP68 (0,2 bar 30min)
Type of Voltage	AC
Frequence	50/60 Hz
Connection	1,5m cable
Operational areas	Outdoor, Engine room, Cargo hold
Temp. range min	-30 °C
Temp. range max	55 °C
Lightsource	LED
Lightsource incl.	Yes
Colour temperature	5600 K
Luminous flux	5600 lm
Colour rendering index	CRI > 80
Rated Lifetime	L70/B50 @Ta +35 °C
System Lifetime	100000 h
Mounting	Ceiling, Wall, Surface mounting
Colour	RAL 7035
External dimensions LxWxH	1245x220x53mm
Approval	RMRS, DNV-GL

Your Contact:

WISKA India Pvt. Ltd.

Mr. Omkar Ashar · Unit No.247/248,Raheja Tesla Industrial District II , Edison Bldg No.-1A,
Plot No.GEN2/1/C/PART, TTC Industrial Area, MIDC, Juinagar, Navi Mumbai 400705, India

☎ +91-22-4967-1438 · ☎ +91-22-4967-1439 · o.ashar@wiska.in · www.wiska.in

Weight

1,6 kg

Remarks:

LED strip

1,5m connection cable 2x1,5mm²

Cable out diameter 10-14mm

without throughwiring

VentGLAND cable gland

Breathing via VentPLUG and VentGLAND®

mounted in end cap

Mounting via two mounting rails

Recommended accessories**SP-MPL Vibration damper (2 pcs)**

22000874

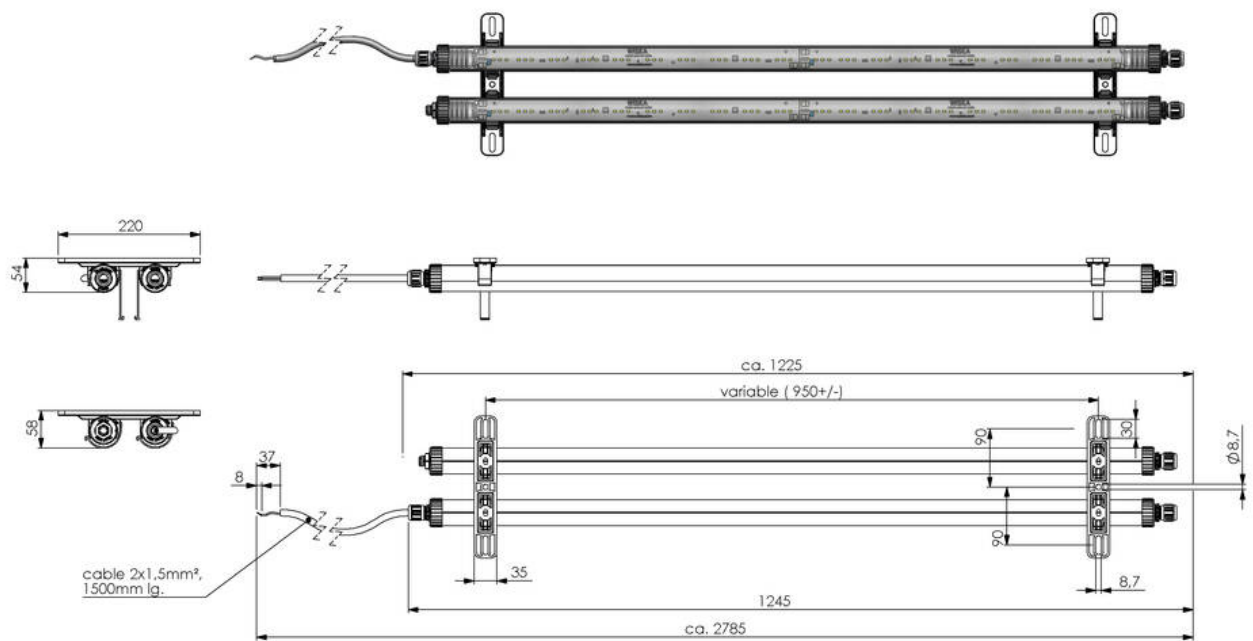
Spare parts**SP-4000-Pipe clamps with rail**

22000723

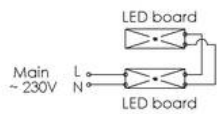
17.06.2026

Your Contact:**WISKA India Pvt. Ltd.**Mr. Omkar Ashar · Unit No.247/248,Raheja Tesla Industrial District II , Edison Bldg No.-1A,
Plot No.GEN2/1/C/PART, TTC Industrial Area, MIDC, Juinagar, Navi Mumbai 400705, India

☎ +91-22-4967-1438 · ☎ +91-22-4967-1439 · o.ashar@wiska.in · www.wiska.in



Cable Connection

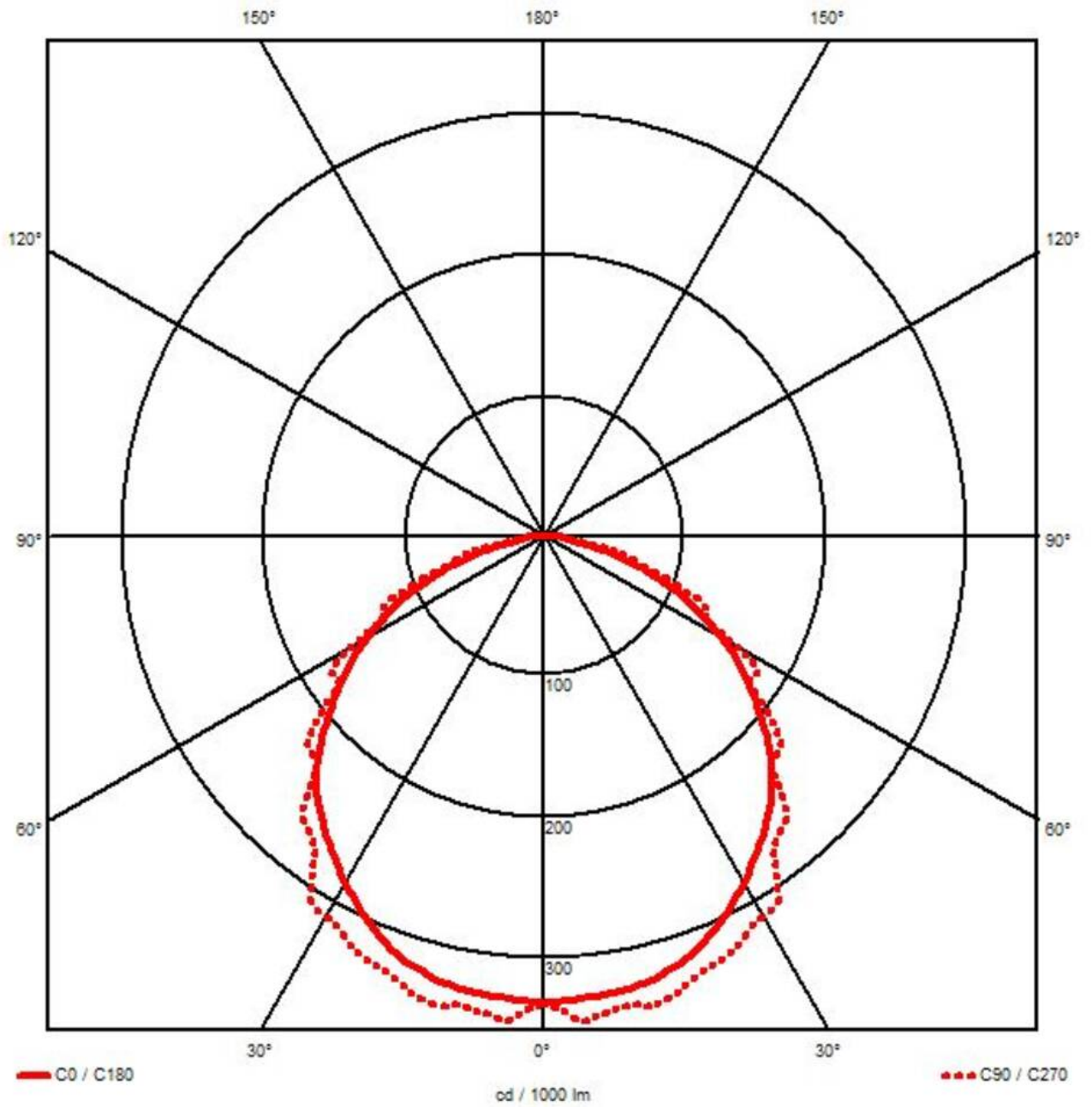


Your Contact:

WISKA India Pvt. Ltd.

Mr. Omkar Ashar · Unit No.247/248,Raheja Tesla Industrial District II , Edison Bldg No.-1A,
Plot No.GEN2/1/C/PART, TTC Industrial Area, MIDC, Juinagar, Navi Mumbai 400705, India

☎ +91-22-4967-1438 · ☎ +91-22-4967-1439 · o.ashar@wiska.in · www.wiska.in



Your Contact:

WISKA India Pvt. Ltd.

Mr. Omkar Ashar · Unit No.247/248, Raheja Tesla Industrial District II , Edison Bldg No.-1A,
Plot No.GEN2/1/C/PART, TTC Industrial Area, MIDC, Juinagar, Navi Mumbai 400705, India

☎ +91-22-4967-1438 · ☎ +91-22-4967-1439 · o.ashar@wiska.in · www.wiska.in

Other technical data on request / subject to change without notice