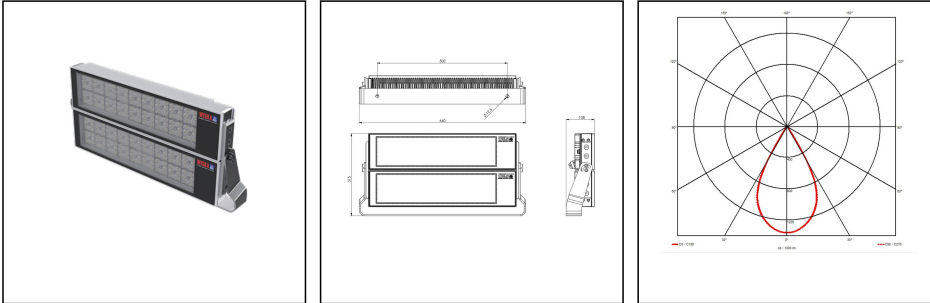


5010-2x220W-MB-WH-AA

LED Floodlight 2x220W 230V aluminium



Products may differ in size, colour and appearance to those shown. If you require further information or customisation, please contact us directly.

WISKA-Order no.	10113068
Type	5010-2x220W-MB-WH-AA
Material	Aluminium, Stainless steel
Reflector	Medium beam
Wattage	440 W
Power[^]	2 x 220 W
Protection class	IP66 / IP67
Operational areas	Indoor / Outdoor
Temp. range min	-25 °C
Temp. range max	45 °C
Mounting	Wall, Ceiling, Upside
Lightsource	LED
Lightsource incl.	Yes
Colour temperature	5700 K
Luminous flux	60000 lm
Colour rendering index	≥ 80
Rated Lifetime	L80/B10 @Ta +45 °C
System Lifetime	100000 h
Type of cable gland	M 25 x 1,5
Material cable gland	Brass nickel-plated
Ø cable diameter min	9 mm
Ø cable diameter max	17 mm
External dimensions LxWxH	640x315x108mm
Colour	White
Weight	18,4 kg

Your Contact:

WISKA India Pvt. Ltd.

Mr. Omkar Ashar · Unit No.247/248,Raheja Tesla Industrial District II , Edison Bldg No.-1A,
Plot No.GEN2/1/C/PART, TTC Industrial Area, MIDC, Juinagar, Navi Mumbai 400705, India

☎ +91-22-4967-1438 · ☎ +91-22-4967-1439 · o.ashar@wiska.in · www.wiska.in

Tariff number

94054990

Remarks:

A ballast is required to operate the spotlight (see accessories).

The maximum cable length between the ballast and the spotlight must not exceed 50 m.

Spare parts**SP-5010 LED Driver 220W**

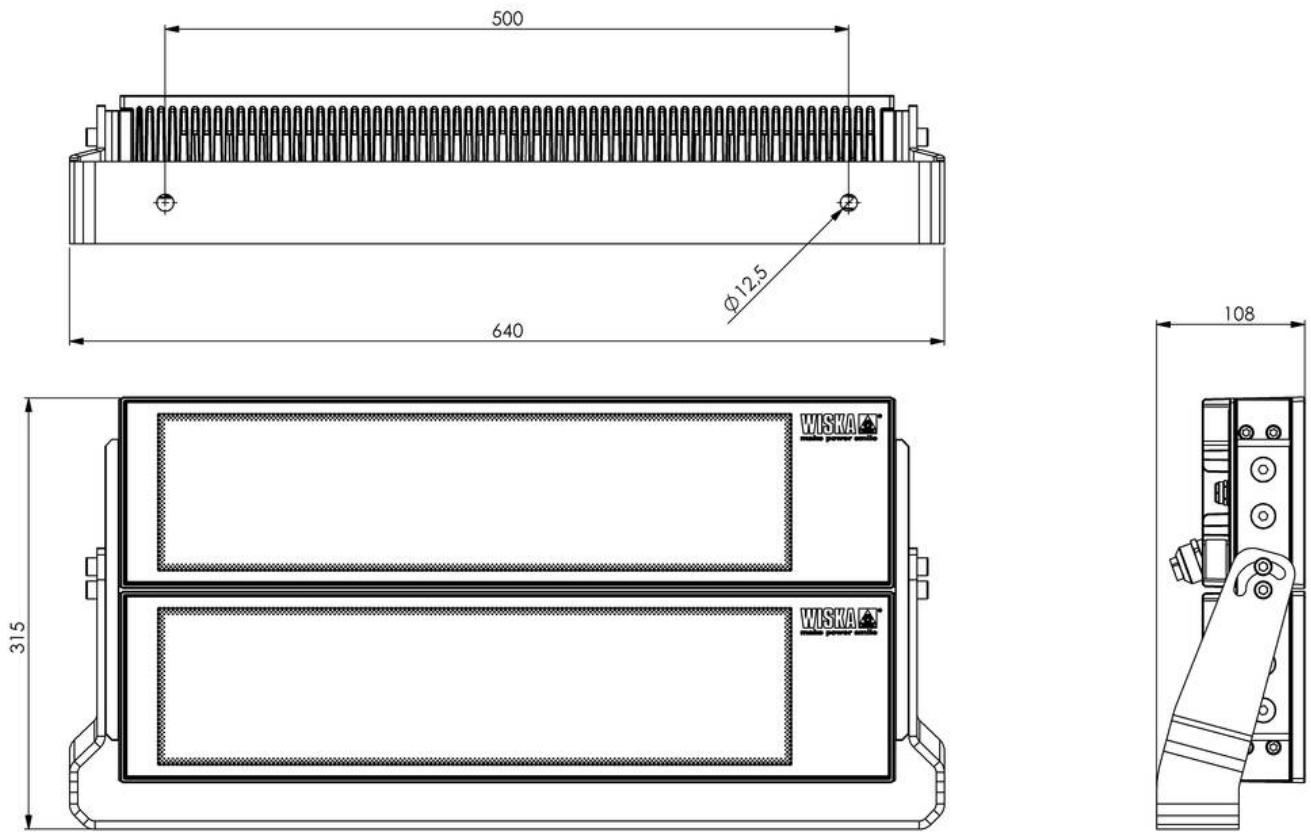
22001431

12.05.2026

Your Contact:**WISKA India Pvt. Ltd.**

Mr. Omkar Ashar · Unit No.247/248, Raheja Tesla Industrial District II , Edison Bldg No.-1A,
Plot No.GEN2/1/C/PART, TTC Industrial Area, MIDC, Juinagar, Navi Mumbai 400705, India

☎ +91-22-4967-1438 · ☎ +91-22-4967-1439 · o.ashar@wiska.in · www.wiska.in

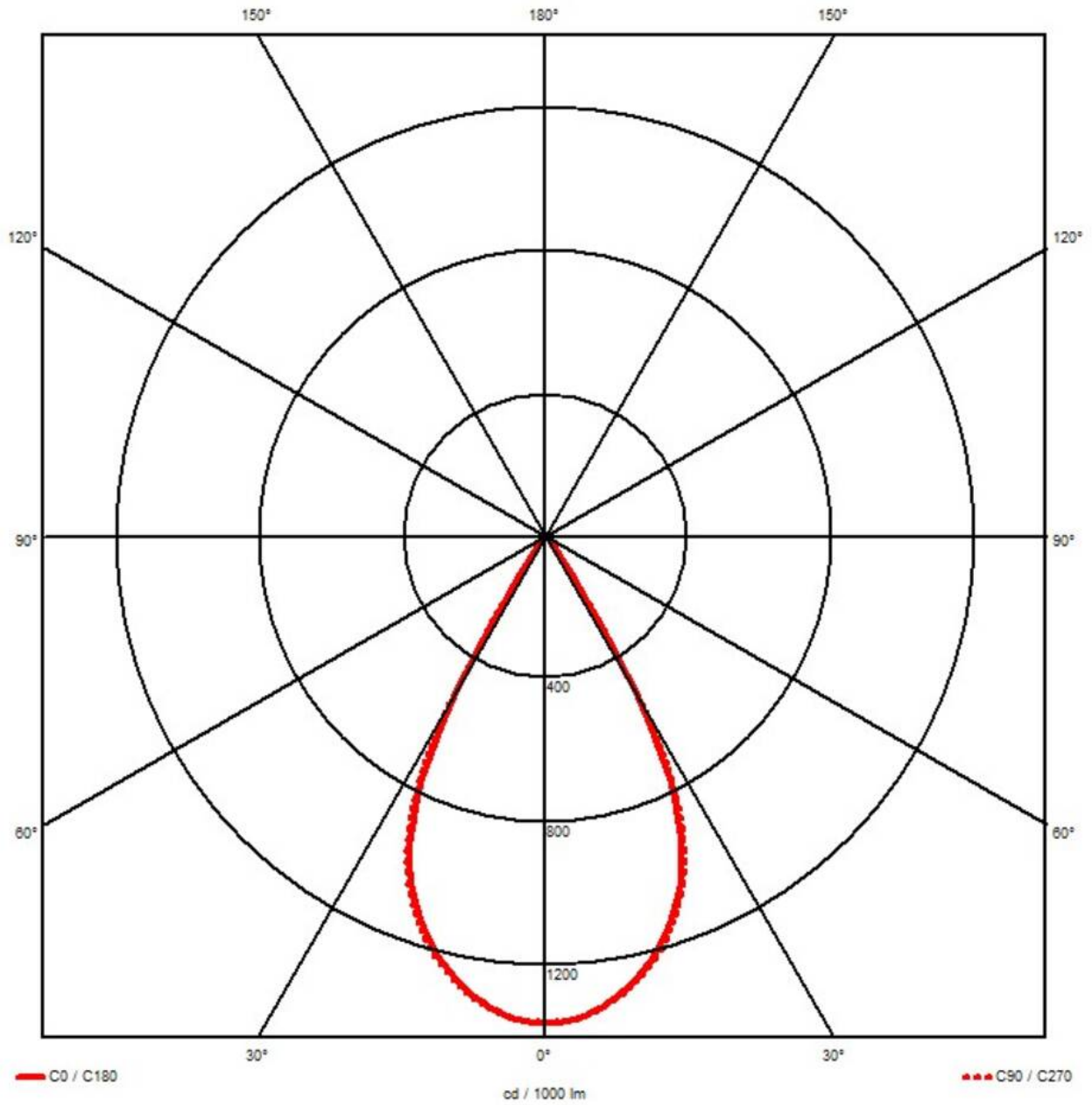


Your Contact:

WISKA India Pvt. Ltd.

Mr. Omkar Ashar · Unit No.247/248,Raheja Tesla Industrial District II , Edison Bldg No.-1A,
Plot No.GEN2/1/C/PART, TTC Industrial Area, MIDC, Juinagar, Navi Mumbai 400705, India

☎ +91-22-4967-1438 · ☎ +91-22-4967-1439 · o.ashar@wiska.in · www.wiska.in



Your Contact:

WISKA India Pvt. Ltd.

Mr. Omkar Ashar · Unit No.247/248,Raheja Tesla Industrial District II , Edison Bldg No.-1A,
Plot No.GEN2/1/C/PART, TTC Industrial Area, MIDC, Juinagar, Navi Mumbai 400705, India

☎ +91-22-4967-1438 · ☎ +91-22-4967-1439 · o.ashar@wiska.in · www.wiska.in

Other technical data on request / subject to change without notice