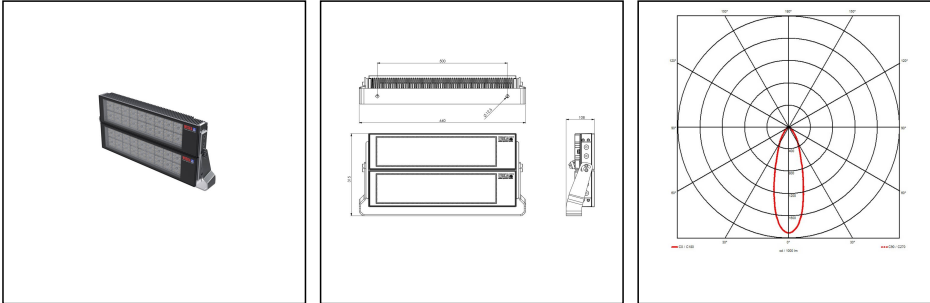


## 5010-2x220W-NB-BK-AA

LED Floodlight 2x220W 230V aluminium



Products may differ in size, colour and appearance to those shown. If you require further information or customisation, please contact us directly.

<b>WISKA-Order no.</b>	10113070
<b>Type</b>	5010-2x220W-NB-BK-AA
<b>Material</b>	Aluminium, Stainless steel
<b>Reflector</b>	Narrow beam
<b>Wattage</b>	440 W
<b>Power<sup>^</sup></b>	2 x 220 W
<b>Protection class</b>	IP66 / IP67
<b>Operational areas</b>	Indoor / Outdoor
<b>Temp. range min</b>	-25 °C
<b>Temp. range max</b>	45 °C
<b>Mounting</b>	Wall, Ceiling, Upside
<b>Lightsource</b>	LED
<b>Lightsource incl.</b>	Yes
<b>Colour temperature</b>	5700 K
<b>Luminous flux</b>	60000 lm
<b>Colour rendering index</b>	≥ 80
<b>Rated Lifetime</b>	L80/B10 @Ta +45 °C
<b>System Lifetime</b>	100000 h
<b>Type of cable gland</b>	M 25 x 1,5
<b>Material cable gland</b>	Brass nickel-plated
<b>Ø cable diameter min</b>	9 mm
<b>Ø cable diameter max</b>	17 mm
<b>External dimensions LxWxH</b>	640x315x108mm
<b>Colour</b>	Black
<b>Weight</b>	18,4 kg

Your Contact:

WISKA India Pvt. Ltd.

Mr. Omkar Ashar · Unit No.247/248,Raheja Tesla Industrial District II , Edison Bldg No.-1A,  
Plot No.GEN2/1/C/PART, TTC Industrial Area, MIDC, Juinagar, Navi Mumbai 400705, India

☎ +91-22-4967-1438 · ☎ +91-22-4967-1439 · o.ashar@wiska.in · www.wiska.in

**Tariff number**

94054990

**Remarks:**

A ballast is required to operate the spotlight (see accessories).

The maximum cable length between the ballast and the spotlight must not exceed 50 m.

**Spare parts****SP-5010 LED Driver 220W**

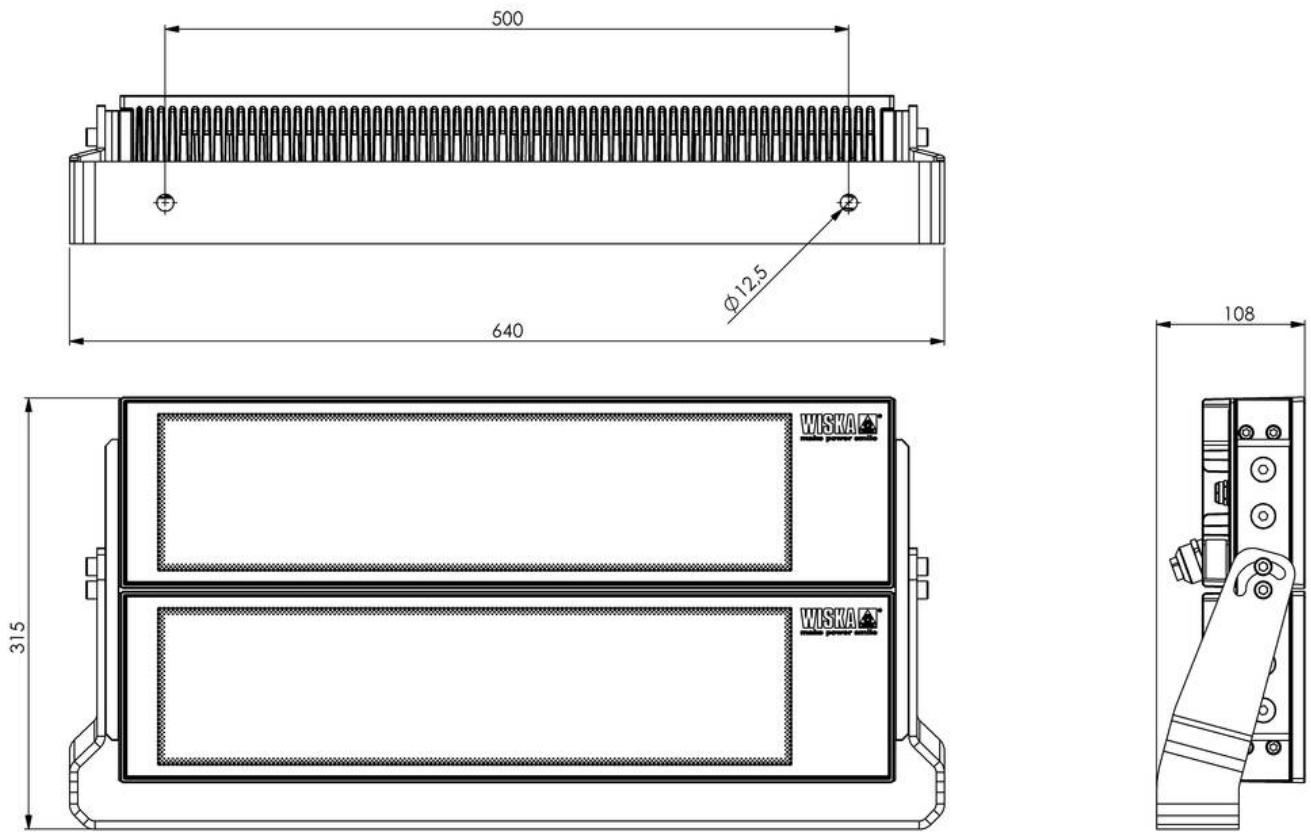
22001431

12.05.2026

**Your Contact:****WISKA India Pvt. Ltd.**

Mr. Omkar Ashar · Unit No.247/248, Raheja Tesla Industrial District II , Edison Bldg No.-1A,  
Plot No.GEN2/1/C/PART, TTC Industrial Area, MIDC, Juinagar, Navi Mumbai 400705, India

☎ +91-22-4967-1438 · ☎ +91-22-4967-1439 · o.ashar@wiska.in · www.wiska.in

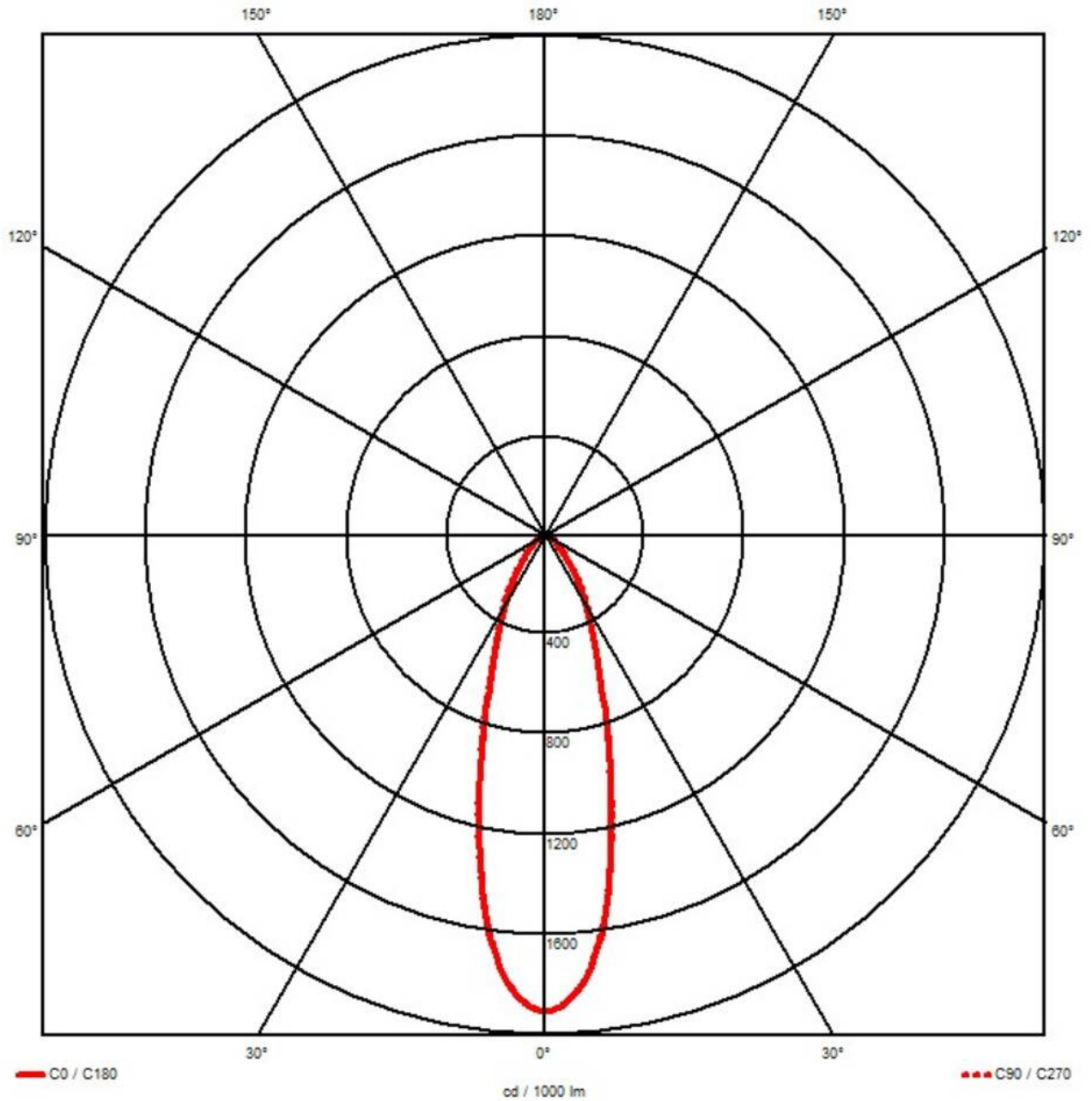


Your Contact:

**WISKA India Pvt. Ltd.**

Mr. Omkar Ashar · Unit No.247/248,Raheja Tesla Industrial District II , Edison Bldg No.-1A,  
Plot No.GEN2/1/C/PART, TTC Industrial Area, MIDC, Juinagar, Navi Mumbai 400705, India

☎ +91-22-4967-1438 · ☎ +91-22-4967-1439 · o.ashar@wiska.in · www.wiska.in



Your Contact:

**WISKA India Pvt. Ltd.**

Mr. Omkar Ashar · Unit No.247/248,Raheja Tesla Industrial District II , Edison Bldg No.-1A,  
Plot No.GEN2/1/C/PART, TTC Industrial Area, MIDC, Juinagar, Navi Mumbai 400705, India

☎ +91-22-4967-1438 · ☎ +91-22-4967-1439 · o.ashar@wiska.in · www.wiska.in