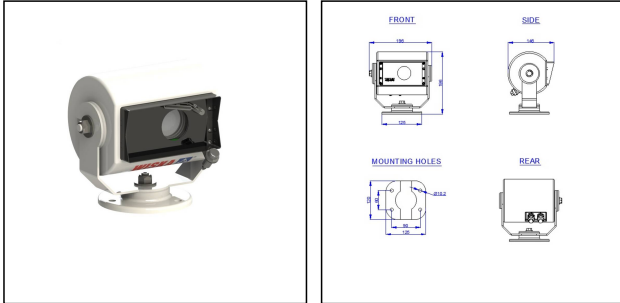


CH-SW160-2/VC21065/FIX



Products may differ in size, colour and appearance to those shown. If you require further information or customisation, please contact us directly.

Type	CH-SW160-2/VC21065/FIX
WISKA-Order no.	10113236
Material	Stainless Steel 316L (1.4404)
Surface	Powder coated
Colour	RAL 9016
Operational areas	Outdoor
Weight	5 kg
Protection class	IP66 / IP68 (0,2 bar 30min)
Temp. range min	-55 °C
Temp. range max	55 °C
Humidity	100 %
Wash&Wipe	Wash&wipe
Resolution	HDTV 1080p (2MP)
Image Sensor	1/2.8" Starvis CMOS
Video Standard	Digital
Video Streaming	H.264/H.265/MJPEG
Zoom	Yes
Zoom (opt. x digi.)	960 (opt: 30x digi: 32x)
Frames per Second	30
Lighting Conditions	Low light
Min. illumination	0,005 lx / 0,0005 lx (b/w)
Angle of View (horizontal)	56.4° - 3.1°
Angle of View (vertical)	33.5° - 1.7°
Pan/Tilt	Hand operated
Presets P/T	No

Your Contact:

WISKA India Pvt. Ltd.

Mr. Omkar Ashar · Unit No.247/248,Raheja Tesla Industrial District II , Edison Bldg No.-1A,
Plot No.GEN2/1/C/PART, TTC Industrial Area, MIDC, Juinagar, Navi Mumbai 400705, India

☎ +91-22-4967-1438 · ☎ +91-22-4967-1439 · o.ashar@wiska.in · www.wiska.in

Rotation horizontal	360 °
Rotation vertical	+70° / -90°
Mounting	Upside, Upside down
Vibration (0-100Hz)	DNV class A / C (0,7 / 2,3g)
Voltage	24 V
Type of Voltage	DC
Wattage	45 W
Junction box required	Yes
CCTV add-on	BLC, HLC, DWDR
Tariff number	85258100

Remarks:

IP Outdoor Camera station CS-SW160-2,
 IP66/IP68, FIX,
 Resolution 1920x1080 (2MP),
 30x optical zoom, low light, RAL9016,
 SUS316L, -55°C/55°C,
 with manual pan/tilt device,
 wash and wipe function
 Cable length 5m
 Water tank must be ordered separately.

27.06.2026

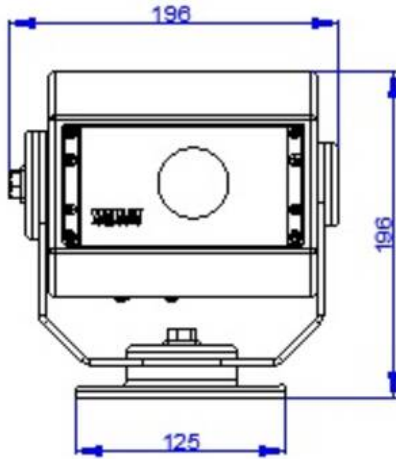
Your Contact:

WISKA India Pvt. Ltd.

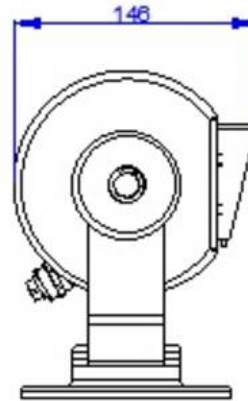
Mr. Omkar Ashar · Unit No.247/248,Raheja Tesla Industrial District II , Edison Bldg No.-1A,
 Plot No.GEN2/1/C/PART, TTC Industrial Area, MIDC, Juinagar, Navi Mumbai 400705, India

☎ +91-22-4967-1438 · ☎ +91-22-4967-1439 · o.ashar@wiska.in · www.wiska.in

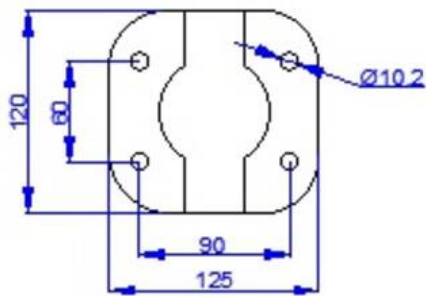
FRONT



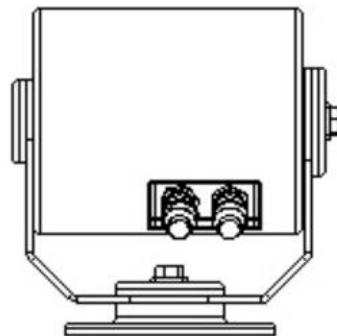
SIDE



MOUNTING HOLES



REAR



Your Contact:

WISKA India Pvt. Ltd.

Mr. Omkar Ashar · Unit No.247/248,Raheja Tesla Industrial District II , Edison Bldg No.-1A,
Plot No.GEN2/1/C/PART, TTC Industrial Area, MIDC, Juinagar, Navi Mumbai 400705, India

☎ +91-22-4967-1438 · ☎ +91-22-4967-1439 · o.ashar@wiska.in · www.wiska.in