

## D300-EX/42212-2/IP/PTZ/P/15M

Ex outdoor network camera station, flameproof, Zone 1, IECEx



Products may differ in size, colour and appearance to those shown. If you require further information or customisation, please contact us directly.



Type	D300-EX/42212-2/IP/PTZ/P/15M
WISKA-Order no.	10113368
Material	Stainless steel
Surface	Powder coated
Colour	RAL 9016
Material Dome	polycarbonate
Operational areas	Explosion protection
Zone	1
Explosion Groups	IIIC, IIC
Temp.-class	T6
Marking	II 2 D Ex tb IIIC T85°C Db, II 2 G Ex db IIC T6 Gb
Weight	6,5 kg
Protection class	IP66, IP68 (2m, 2h)
Temp. range min	-30 °C
Temp. range max	55 °C
Humidity	100 %
Wash&Wipe	No
Resolution	HDTV 1080p (2MP)
Image Sensor	1/2.8" CMOS
Video Standard	Digital
Video Streaming	H.264/MJPEG
Zoom	Yes
Zoom (opt. x digi.)	64 (opt: 4x digi: 16x)
Frames per Second	30
Lighting Conditions	Low light

Your Contact:

WISKA India Pvt. Ltd.

Mr. Omkar Ashar · Unit No.247/248,Raheja Tesla Industrial District II , Edison Bldg No.-1A,  
Plot No.GEN2/1/C/PART, TTC Industrial Area, MIDC, Juinagar, Navi Mumbai 400705, India

+91-22-4967-1438 · +91-22-4967-1439 · o.ashar@wiska.in · www.wiska.in

<b>Min. illumination</b>	0,005 lx / 0,0005 lx (b/w)
<b>Angle of View (horizontal)</b>	58,2° - 4,8°
<b>Angle of View (vertical)</b>	32.9° - 2.8°
<b>Pan/Tilt</b>	Remote operated
<b>P/T-Type</b>	included
<b>Presets P/T</b>	Yes
<b>Rotation horizontal</b>	360 °
<b>Rotation vertical</b>	180°
<b>Mounting</b>	Upside down, vertical
<b>Type of Voltage</b>	POE+ (IEEE 802.at)
<b>Wattage</b>	12 W
<b>Junction box required</b>	Yes
<b>CCTV add-on</b>	BLC, HLC, WDR
<b>Tariff number</b>	85258100

Remarks:

Ex-proof IP camera station, type D300  
 Zone 1 - IP66/IP68(2m,2h)  
 II 2G Ex db IIC T6 Gb  
 II 2D Ex tb IIIC T85°C Db  
 EPS 18 ATEX 1 125 X  
 IECEX EPS 18.0058X  
 Resolution: 2MP / 1080p / @25/30fps  
 Zoom: 4x (optical) / 16x (digital), PTZ,  
 Preset, endless rotation, low light /  
 starlight technology,  
 Power: POE +  
 15m connection cable

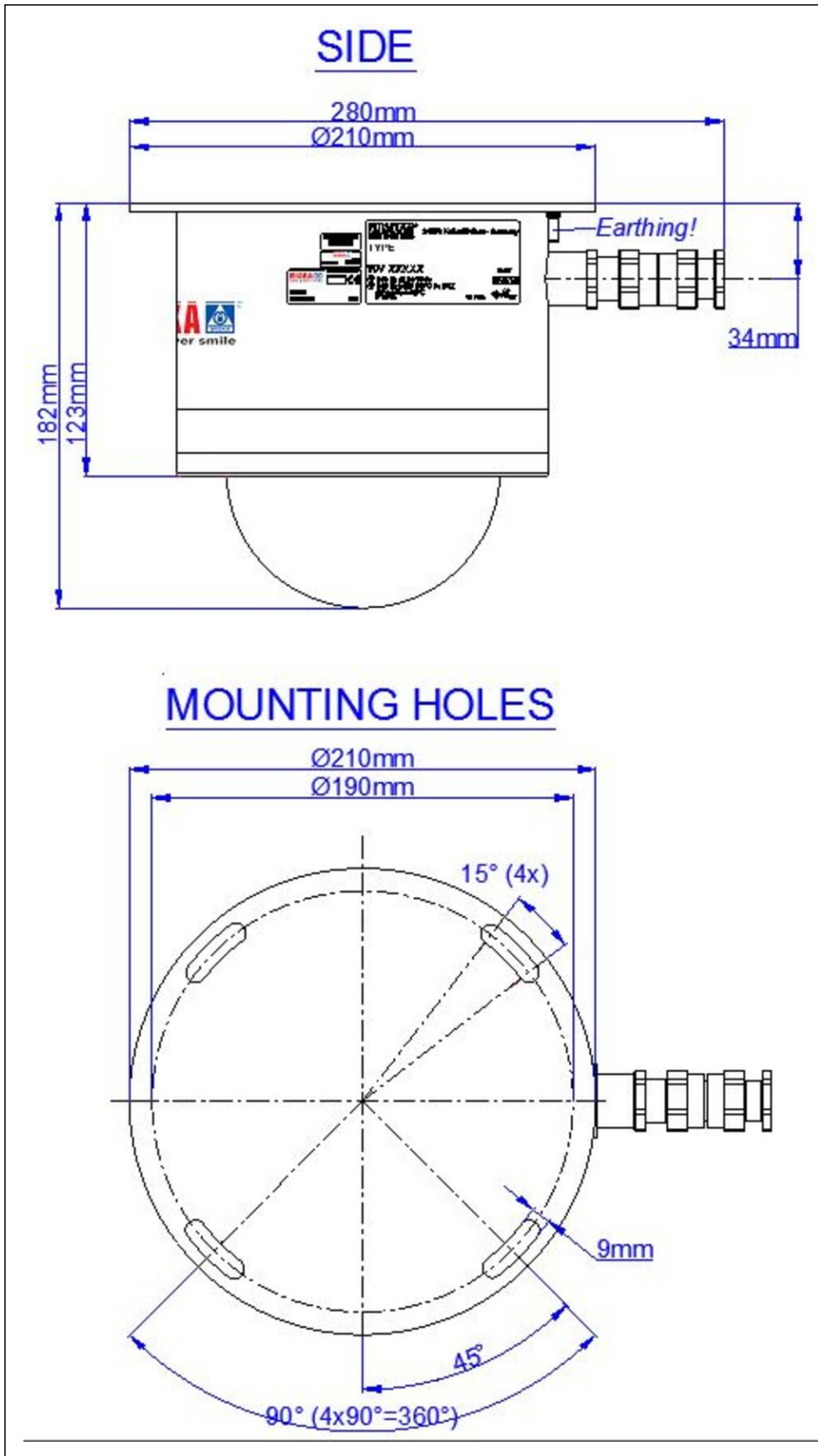
12.05.2026

Your Contact:

**WISKA India Pvt. Ltd.**

Mr. Omkar Ashar · Unit No.247/248,Raheja Tesla Industrial District II , Edison Bldg No.-1A,  
 Plot No.GEN2/1/C/PART, TTC Industrial Area, MIDC, Juinagar, Navi Mumbai 400705, India

☎ +91-22-4967-1438 · ☎ +91-22-4967-1439 · o.ashar@wiska.in · www.wiska.in



Your Contact:

WISKA India Pvt. Ltd.

Mr. Omkar Ashar · Unit No.247/248,Raheja Tesla Industrial District II , Edison Bldg No.-1A,  
Plot No.GEN2/1/C/PART, TTC Industrial Area, MIDC, Juinagar, Navi Mumbai 400705, India

☎ +91-22-4967-1438 · ☎ +91-22-4967-1439 · o.ashar@wiska.in · www.wiska.in