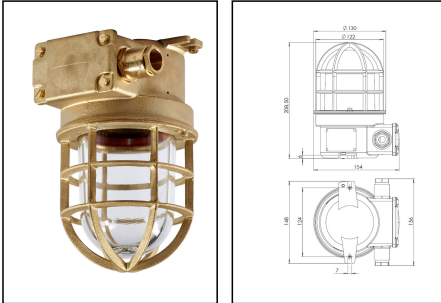



Ex-525/D/2x24-Z12

Ex multi-purpose luminaire 525 protection guard brass max. 60W 230V E27 IP66/67



Products may differ in size, colour and appearance to those shown. If you require further information or customisation, please contact us directly.



WISKA-Order no.	10113561
Type	Ex-525/D/2x24-Z12
Material	Brass
Globe colour	Clear
Material guard	Brass
Voltage	230 V
Voltage max. (V)	250 V
Type of Voltage	AC
Frequence	50/60 Hz
Protection class	IP66 / IP67
Operational areas	Explosion protection, Outdoor
Temp. range min	-40 °C
Temp. range max	55 °C
Lampholder	E27
Number of lampholder	1 ST
Lightsource	Incandescent lamp, LED, Fluorescent lamp
Lightsource incl.	No
Type of cable gland	M24x1,5 Z 12 / 10-12,5mm
Material cable gland	Brass
Using for cable gland	
Type of cable	armoured
Ø cable diameter min	10 mm
Ø cable diameter max	12,5 mm
Mounting	Upside, Upside down
Approval	IECEx EPS 17.0060X, EPS 17 ATEX 1 120 X

Your Contact:

WISKA India Pvt. Ltd.

Mr. Omkar Ashar · Unit No.247/248,Raheja Tesla Industrial District II , Edison Bldg No.-1A,
Plot No.GEN2/1/C/PART, TTC Industrial Area, MIDC, Juinagar, Navi Mumbai 400705, India

☎ +91-22-4967-1438 · ☎ +91-22-4967-1439 · o.ashar@wiska.in · www.wiska.in

Zone	1, 21
Weight	3,47 kg
Tariff number	94051990

Remarks:

Ex multi-purpose luminaire 525
with protection guard,
brass, up to T6, max. 60W, IP66/IP67
Ignition protection: de
Explosion protection:
II 2G Ex db eb IIB+H2 T6/T5/T4 Gb
II 2G Ex db eb op is IIB+H2 T6 Gb (with LED)
II 2D Ex tb IIIC T85°C/T100°C/T135°C Db
II 2D Ex tb op is IIIC T85°C Db (with LED)
Zone: 1
Certificate: EPS 17 ATEX 1 120 X
IECEX EPS 17.0060X
Lampholder: E27
2 cable glands Ex-KVM24x1,5-Z12 -O-

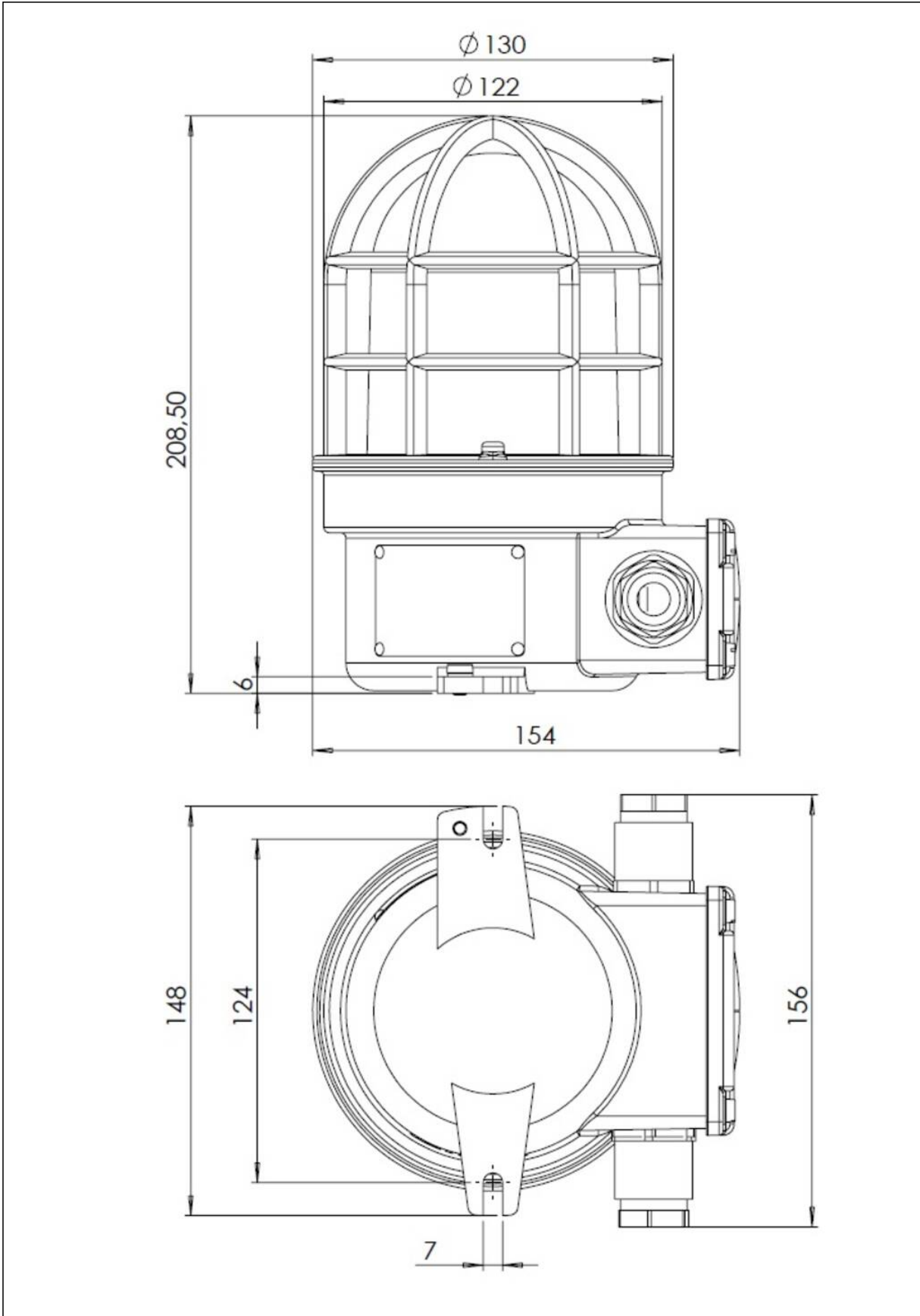
12.05.2026

Your Contact:

WISKA India Pvt. Ltd.

Mr. Omkar Ashar · Unit No.247/248,Raheja Tesla Industrial District II , Edison Bldg No.-1A,
Plot No.GEN2/1/C/PART, TTC Industrial Area, MIDC, Juinagar, Navi Mumbai 400705, India

☎ +91-22-4967-1438 · ☎ +91-22-4967-1439 · o.ashar@wiska.in · www.wiska.in



Your Contact:

WISKA India Pvt. Ltd.

Mr. Omkar Ashar · Unit No.247/248,Raheja Tesla Industrial District II , Edison Bldg No.-1A,
Plot No.GEN2/1/C/PART, TTC Industrial Area, MIDC, Juinagar, Navi Mumbai 400705, India

☎ +91-22-4967-1438 · ☎ +91-22-4967-1439 · o.ashar@wiska.in · www.wiska.in