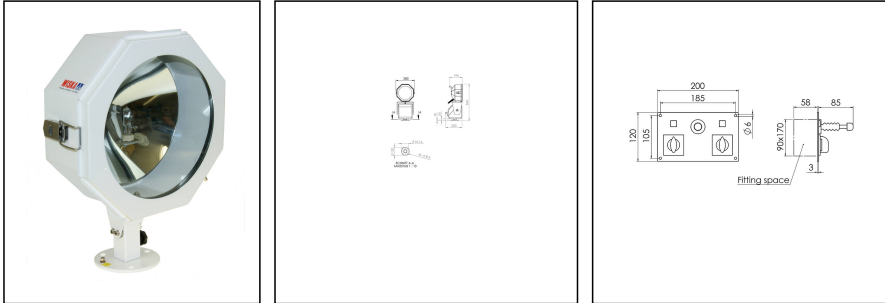


SW200 -250-X(24)-P13-R06

Searchlight for halogen lamps Ø 200mm, 250W, 24V, glass reflector



Products may differ in size, colour and appearance to those shown. If you require further information or customisation, please contact us directly.

| | |
|-------------------------------|--------------------------|
| WISKA-Order no. | 10113815 |
| Type | SW200 -250-X(24)-P13-R06 |
| P/T-Type | FL20/24VAC |
| Horizontal °/s | 5 °/sec |
| Vertical °/s | 2,4 °/sec |
| Rotation horizontal | 330 ° |
| Rotation vertical | +50 ° / -70 ° |
| Material | Stainless steel |
| Colour | RAL 9016 |
| Surface | Powder coated |
| Wattage | 250 W |
| Voltage max. (V) | 24 V |
| Type of Voltage | AC |
| Protection class | IP56 |
| Operational areas | Outdoor |
| Reflector | Glass |
| Focusing | fixed focus |
| Lightsource | Halogen lamp |
| Lightsource incl. | No |
| Light performance | immediately |
| Range (1 lux) | 775 m |
| Light intensity mio/cd | 0,6 |
| Divergence | 7°/10 |
| Lampholder | G6,35 |
| Number of lampholder | 1 ST |

Your Contact:

WISKA India Pvt. Ltd.

Mr. Omkar Ashar · Unit No.247/248,Raheja Tesla Industrial District II , Edison Bldg No.-1A,
Plot No.GEN2/1/C/PART, TTC Industrial Area, MIDC, Juinagar, Navi Mumbai 400705, India

☎ +91-22-4967-1438 · ☎ +91-22-4967-1439 · o.ashar@wiska.in · www.wiska.in

| | |
|-----------------------------|------------------------------|
| Temp. range min | -25 °C |
| Temp. range max | 45 °C |
| Control unit | RCU-E-24V |
| Type of cable gland | ESVGS 20 |
| Material cable gland | Polyamide |
| Type of cable | non-armoured |
| Power cable | H07RN-F 3x1,5mm ² |
| Ø cable diameter min | 6 mm |
| Ø cable diameter max | 13 mm |
| Globe colour | Clear |
| Mounting | Upside |
| Tariff number | 94054910 |

Remarks:

SW200A: Searchlight for halogen lamp 24V, IP56, glass parabolic mirror 200mm
 250W
 Voltage: 24V AC
 P13: pan and tilt unit FL20 24V AC
 R06: remote control unit, recessed, RCU-E, 24V

Equipment:

- Toughened front glass
- Rubber sealing
- Quick fastening devices
- Connection cable 3m

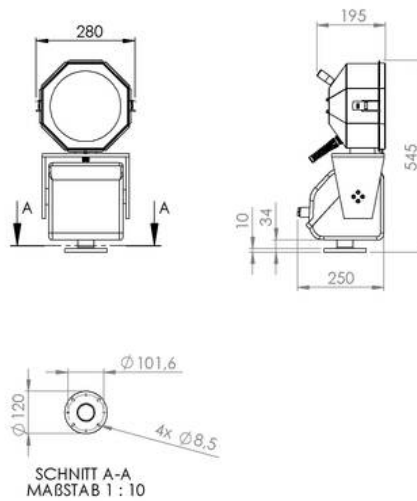
12.05.2026

Your Contact:

WISKA India Pvt. Ltd.

Mr. Omkar Ashar · Unit No.247/248,Raheja Tesla Industrial District II , Edison Bldg No.-1A,
 Plot No.GEN2/1/C/PART, TTC Industrial Area, MIDC, Juinagar, Navi Mumbai 400705, India

☎ +91-22-4967-1438 · ☎ +91-22-4967-1439 · o.ashar@wiska.in · www.wiska.in

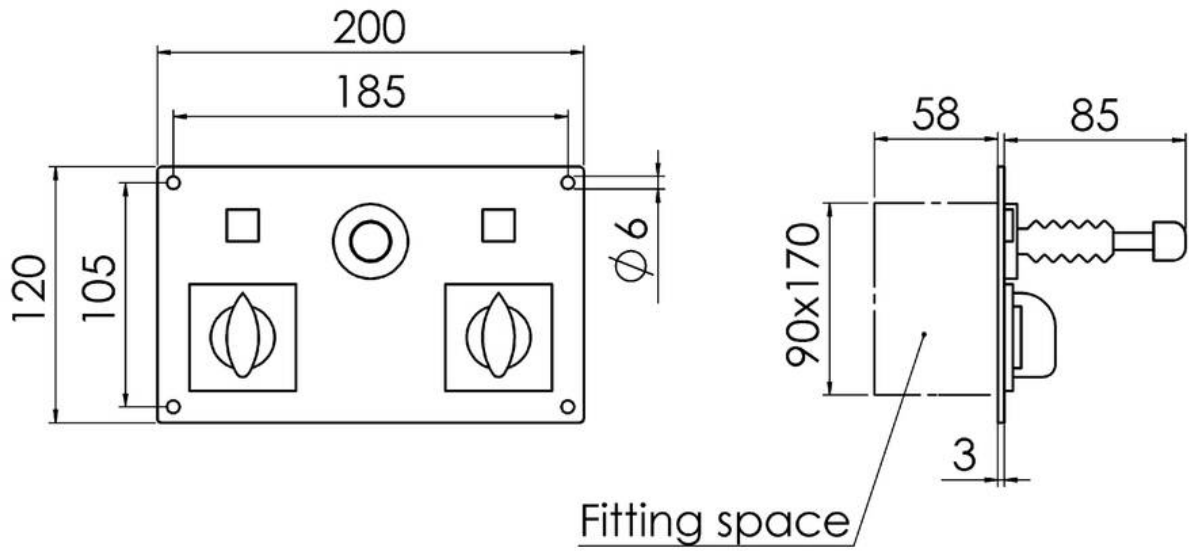


Your Contact:

WISKA India Pvt. Ltd.

Mr. Omkar Ashar · Unit No.247/248,Raheja Tesla Industrial District II , Edison Bldg No.-1A,
Plot No.GEN2/1/C/PART, TTC Industrial Area, MIDC, Juinagar, Navi Mumbai 400705, India

☎ +91-22-4967-1438 · ☎ +91-22-4967-1439 · o.ashar@wiska.in · www.wiska.in



Your Contact:

WISKA India Pvt. Ltd.

Mr. Omkar Ashar · Unit No.247/248,Raheja Tesla Industrial District II , Edison Bldg No.-1A,
Plot No.GEN2/1/C/PART, TTC Industrial Area, MIDC, Juinagar, Navi Mumbai 400705, India

☎ +91-22-4967-1438 · ☎ +91-22-4967-1439 · o.ashar@wiska.in · www.wiska.in