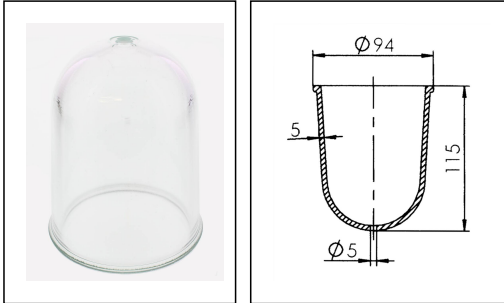


## SP-1900/mT/clear

Cylindrical glass for 1131/gK, 1031



Products may differ in size, colour and appearance to those shown. If you require further information or customisation, please contact us directly.

<b>Type</b>	SP-1900/mT/clear
<b>WISKA-Order no.</b>	22000293
<b>Packing unit</b>	1
<b>Material globe/diffuser</b>	Glass
<b>Globe colour</b>	Clear
<b>Equipment</b>	with drope hole
<b>External dimensions LxWxH</b>	93,5x115mm
<b>Weight</b>	0,32 kg
<b>Tariff number</b>	94059190

Remarks:

Cylindrical glass globe, clear

with drop hole

Suitable for: HNA-Fixtures 1131/gK; 1031

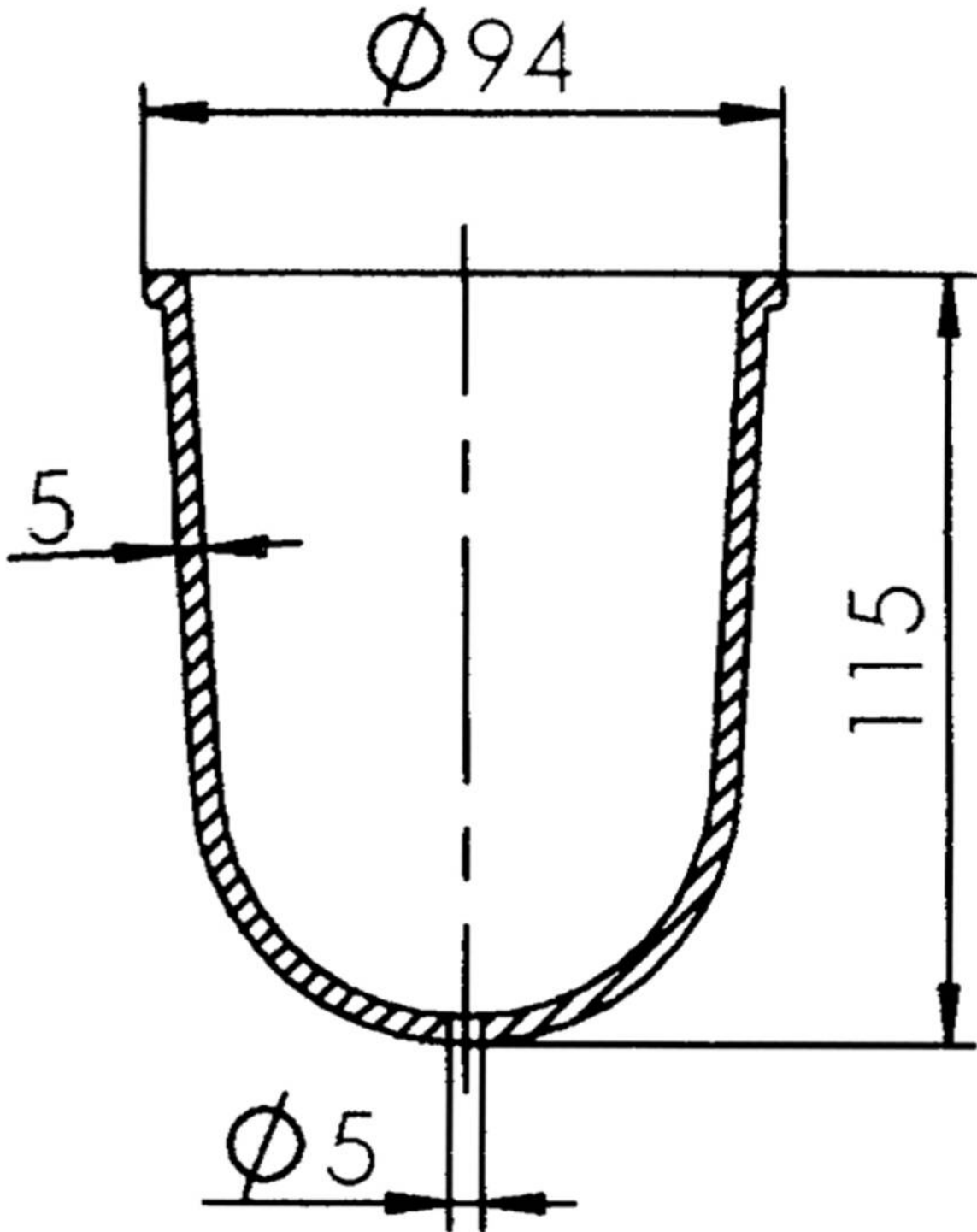
17.06.2026

Your Contact:

**WISKA India Pvt. Ltd.**

Mr. Omkar Ashar · Unit No.247/248,Raheja Tesla Industrial District II , Edison Bldg No.-1A,  
Plot No.GEN2/1/C/PART, TTC Industrial Area, MIDC, Juinagar, Navi Mumbai 400705, India

☎ +91-22-4967-1438 · ☎ +91-22-4967-1439 · o.ashar@wiska.in · www.wiska.in



Your Contact:

WISKA India Pvt. Ltd.

Mr. Omkar Ashar · Unit No.247/248, Raheja Tesla Industrial District II , Edison Bldg No.-1A,  
Plot No.GEN2/1/C/PART, TTC Industrial Area, MIDC, Juinagar, Navi Mumbai 400705, India

☎ +91-22-4967-1438 · ☎ +91-22-4967-1439 · o.ashar@wiska.in · www.wiska.in

Other technical data on request / subject to change without notice