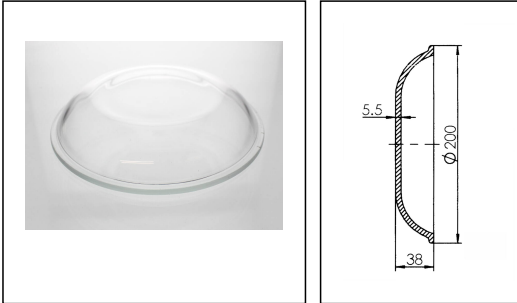


SP-1905 Glass bowl 1026/1027

Glass bowl for 1026, 1027



Products may differ in size, colour and appearance to those shown. If you require further information or customisation, please contact us directly.

Type	SP-1905 Glass bowl 1026/1027
WISKA-Order no.	22000301
Packing unit	1
Material globe/diffuser	Glass
Globe colour	Clear
Weight	0,59 kg
Tariff number	94059190

Remarks:

Glass bowl clear

Ø 200x38mm

suitable for: flat type ceiling fixtures 1026 and 1027

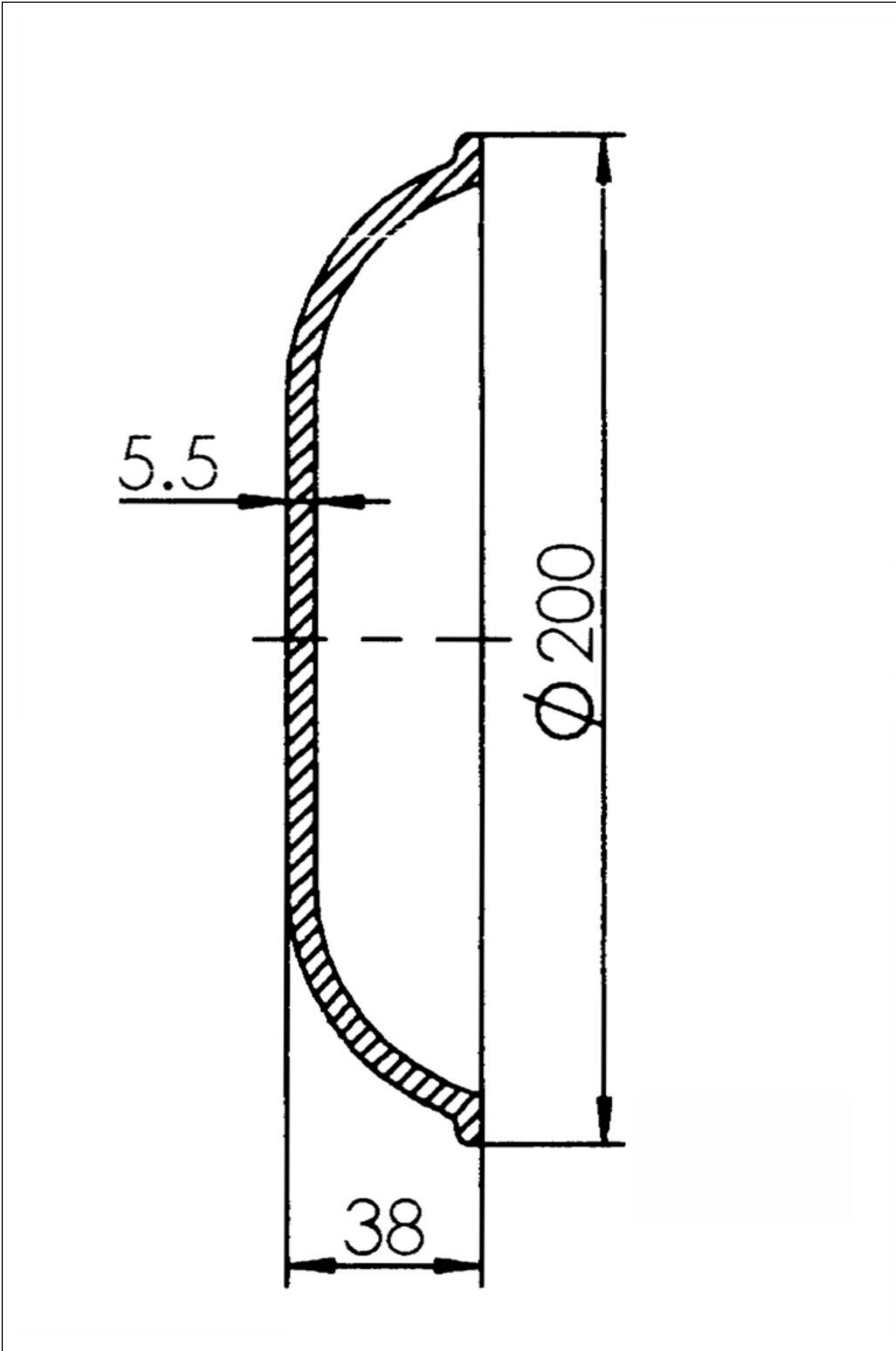
17.06.2026

Your Contact:

WISKA India Pvt. Ltd.

Mr. Omkar Ashar · Unit No.247/248,Raheja Tesla Industrial District II , Edison Bldg No.-1A,
Plot No.GEN2/1/C/PART, TTC Industrial Area, MIDC, Juinagar, Navi Mumbai 400705, India

☎ +91-22-4967-1438 · ☎ +91-22-4967-1439 · o.ashar@wiska.in · www.wiska.in



Your Contact:

WISKA India Pvt. Ltd.

Mr. Omkar Ashar · Unit No.247/248,Raheja Tesla Industrial District II , Edison Bldg No.-1A,
Plot No.GEN2/1/C/PART, TTC Industrial Area, MIDC, Juinagar, Navi Mumbai 400705, India

☎ +91-22-4967-1438 · ☎ +91-22-4967-1439 · o.ashar@wiska.in · www.wiska.in