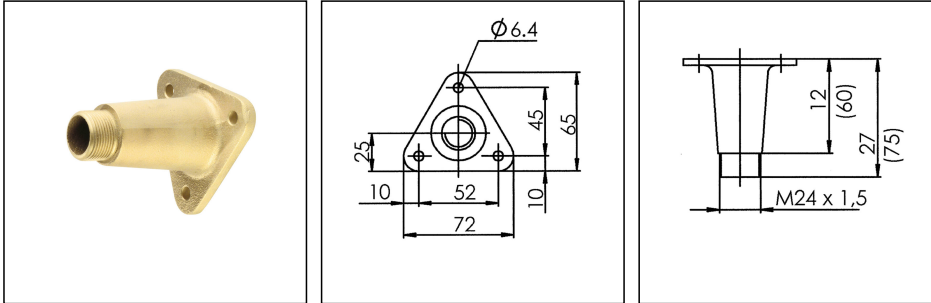


SP-1160 Wall bracket 60mm

Wallbracket for 1017 and 1131



Products may differ in size, colour and appearance to those shown. If you require further information or customisation, please contact us directly.

| | |
|---------------------------|---------------------------|
| Type | SP-1160 Wall bracket 60mm |
| WISKA-Order no. | 22000351 |
| Packing unit | 1 |
| Material | Brass |
| Temp. range min | -25 °C |
| Temp. range max | 45 °C |
| External dimensions LxWxH | 75x72x65mm |
| Weight | 0,3 kg |
| Tariff number | 94059900 |

Remarks:

Triangular wall bracket
with gasket
Material: brass/red brass
Length: 60mm
Mounting hole: 3
for fixture 1017; 1131

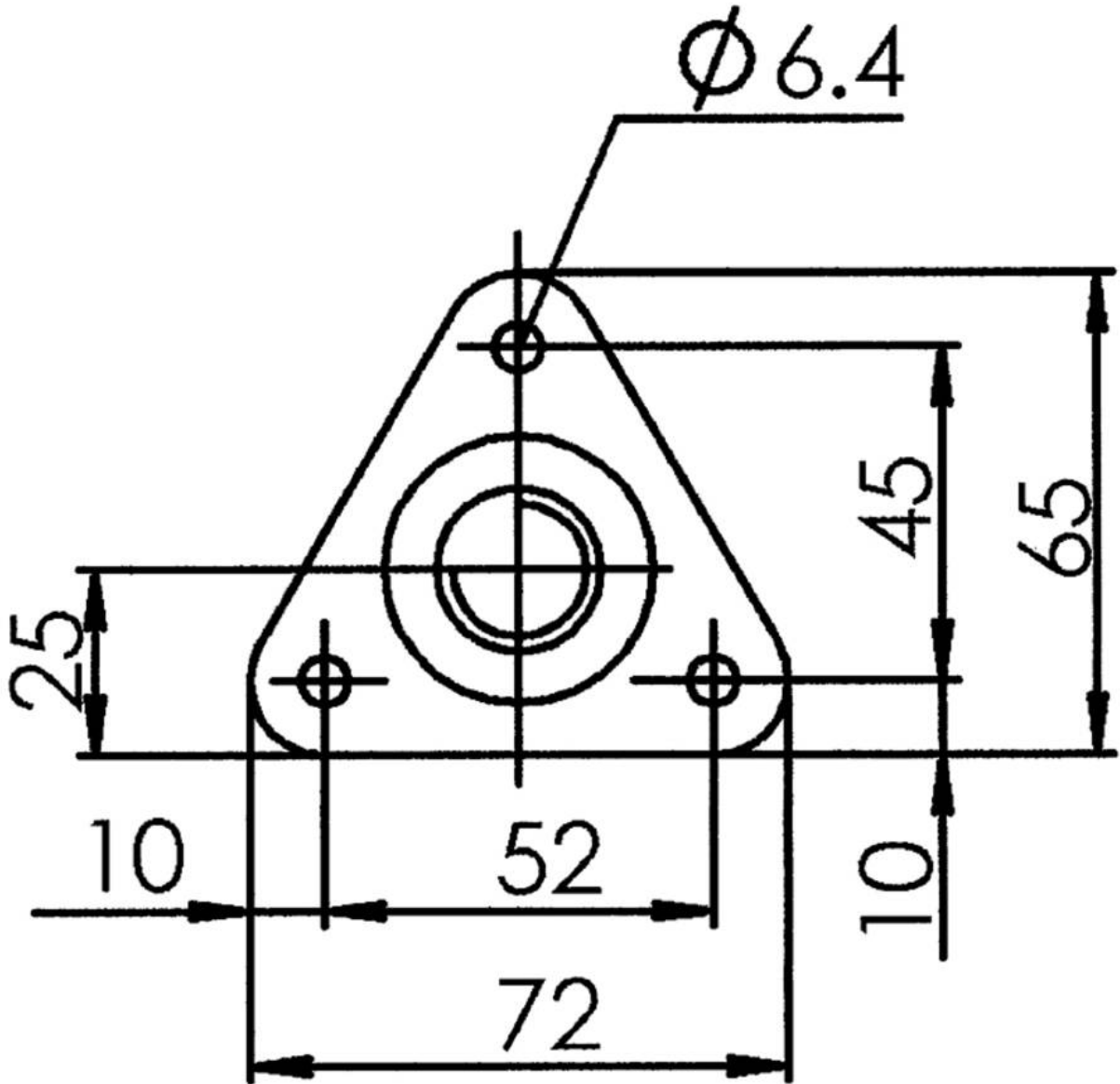
17.06.2026

Your Contact:

WISKA India Pvt. Ltd.

Mr. Omkar Ashar · Unit No.247/248,Raheja Tesla Industrial District II , Edison Bldg No.-1A,
Plot No.GEN2/1/C/PART, TTC Industrial Area, MIDC, Juinagar, Navi Mumbai 400705, India

+91-22-4967-1438 · +91-22-4967-1439 · o.ashar@wiska.in · www.wiska.in



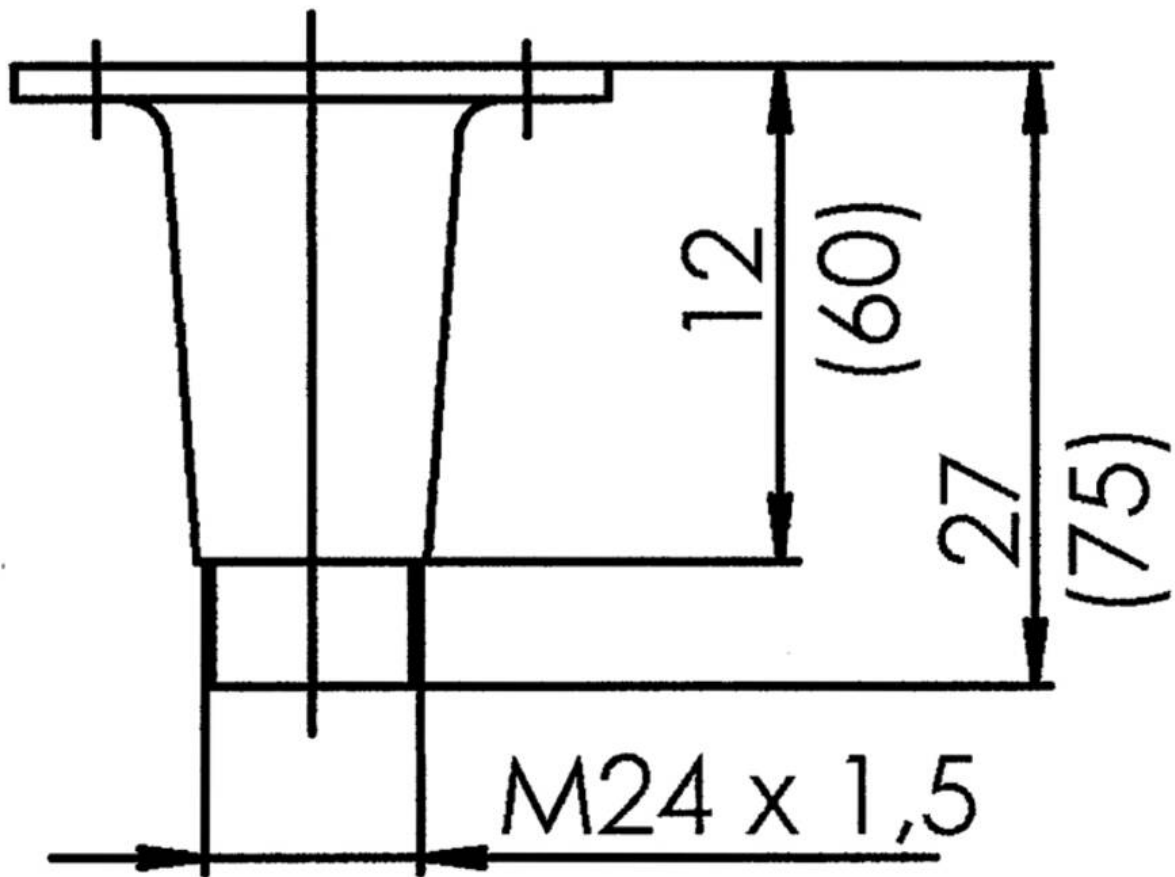
Your Contact:

WISKA India Pvt. Ltd.

Mr. Omkar Ashar · Unit No.247/248, Raheja Tesla Industrial District II, Edison Bldg No.-1A,
Plot No.GEN2/1/C/PART, TTC Industrial Area, MIDC, Juinagar, Navi Mumbai 400705, India

☎ +91-22-4967-1438 · ☎ +91-22-4967-1439 · o.ashar@wiska.in · www.wiska.in

Other technical data on request / subject to change without notice



Your Contact:

WISKA India Pvt. Ltd.

Mr. Omkar Ashar · Unit No.247/248,Raheja Tesla Industrial District II , Edison Bldg No.-1A,
Plot No.GEN2/1/C/PART, TTC Industrial Area, MIDC, Juinagar, Navi Mumbai 400705, India

☎ +91-22-4967-1438 · ☎ +91-22-4967-1439 · o.ashar@wiska.in · www.wiska.in