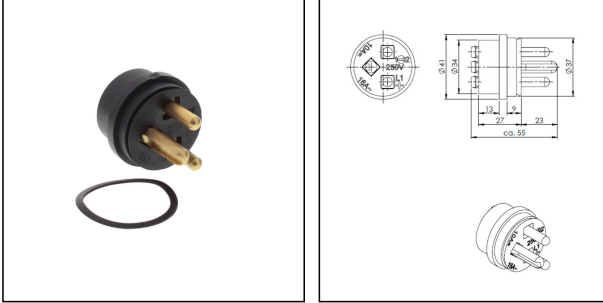


SP-137/250V HNA-Plug interior

Plug interior



Products may differ in size, colour and appearance to those shown. If you require further information or customisation, please contact us directly.

Type	SP-137/250V HNA-Plug interior
WISKA-Order no.	22000383
Current	16 A
Voltage	250 V
Type of Voltage	AC
plug insert	HNA
Norm	DIN 89320
Temp. range min	-25 °C
Temp. range max	45 °C
Weight	0,06 kg
Tariff number	85366990

Remarks:

- Version 2

Suitable for: 1142

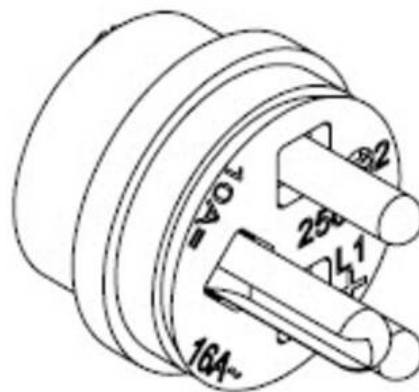
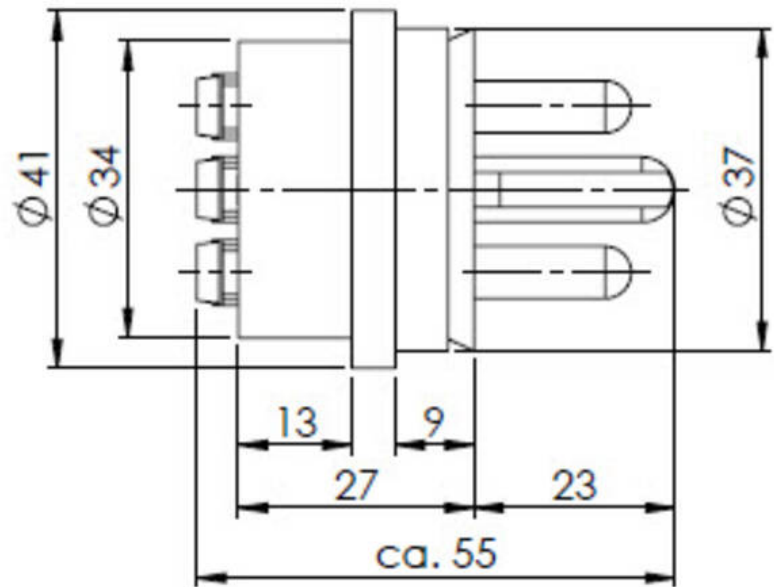
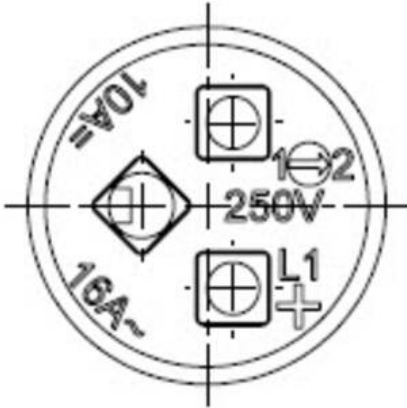
23.05.2026

Your Contact:

WISKA India Pvt. Ltd.

Mr. Omkar Ashar · Unit No.247/248,Raheja Tesla Industrial District II , Edison Bldg No.-1A,
Plot No.GEN2/1/C/PART, TTC Industrial Area, MIDC, Juinagar, Navi Mumbai 400705, India

☎ +91-22-4967-1438 · ☎ +91-22-4967-1439 · o.ashar@wiska.in · www.wiska.in



Your Contact:

WISKA India Pvt. Ltd.

Mr. Omkar Ashar · Unit No.247/248,Raheja Tesla Industrial District II , Edison Bldg No.-1A,
Plot No.GEN2/1/C/PART, TTC Industrial Area, MIDC, Juinagar, Navi Mumbai 400705, India

☎ +91-22-4967-1438 · ☎ +91-22-4967-1439 · o.ashar@wiska.in · www.wiska.in

Other technical data on request / subject to change without notice