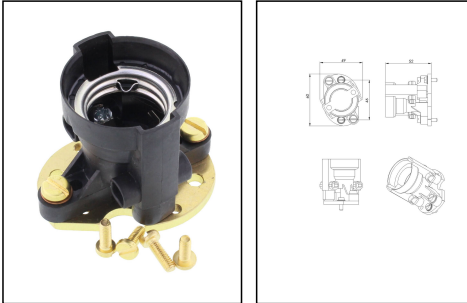


SP-1974 Lampholder E27, PPS, HNA

2-Mounting Feed Lampholder E27



Products may differ in size, colour and appearance to those shown. If you require further information or customisation, please contact us directly.

Type	SP-1974 Lampholder E27, PPS, HNA
WISKA-Order no.	22001018
Packing unit	1
Lampholder	E27
Temp. range min	-25 °C
Temp. range max	45 °C
Tariff number	85366110

Remarks:

Housing: PPS, black
 Rated value: 4/500/5 kV
 with lamp lock
 and suitable adapter, brass
 and mounting kit

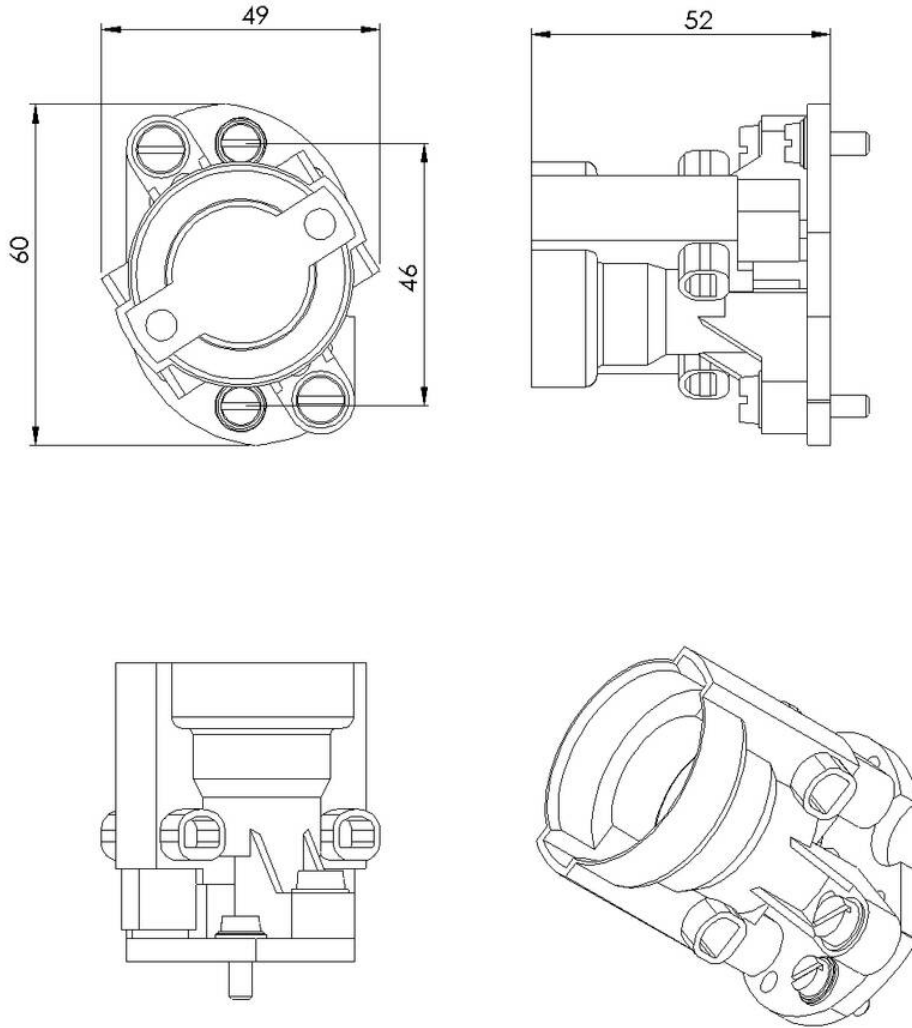
17.06.2026

Your Contact:

WISKA India Pvt. Ltd.

Mr. Omkar Ashar · Unit No.247/248,Raheja Tesla Industrial District II , Edison Bldg No.-1A,
 Plot No.GEN2/1/C/PART, TTC Industrial Area, MIDC, Juinagar, Navi Mumbai 400705, India

☎ +91-22-4967-1438 · ☎ +91-22-4967-1439 · o.ashar@wiska.in · www.wiska.in



Your Contact:

WISKA India Pvt. Ltd.

Mr. Omkar Ashar · Unit No.247/248,Raheja Tesla Industrial District II , Edison Bldg No.-1A,
Plot No.GEN2/1/C/PART, TTC Industrial Area, MIDC, Juinagar, Navi Mumbai 400705, India

☎ +91-22-4967-1438 · ☎ +91-22-4967-1439 · o.ashar@wiska.in · www.wiska.in

Other technical data on request / subject to change without notice