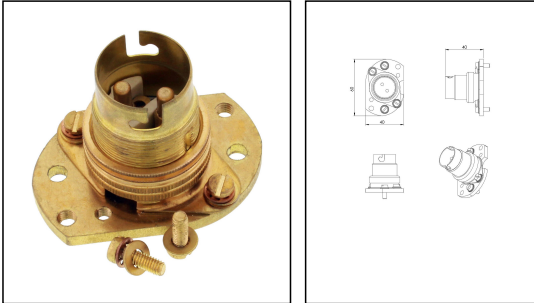


SP-1975 Lampholder B22d, HNA

2-Mounting Feed Lampholder B22d



Products may differ in size, colour and appearance to those shown. If you require further information or customisation, please contact us directly.

| | |
|------------------------|------------------------------|
| Type | SP-1975 Lampholder B22d, HNA |
| WISKA-Order no. | 22001038 |
| Packing unit | 1 |
| Lampholder | B22d |
| Material | Brass |
| Temp. range min | -25 °C |
| Temp. range max | 45 °C |
| Weight | 0,04 kg |
| Tariff number | 85366110 |

Remarks:

Material: Brass
 Rated value: 250V/4A
 ceramic insert
 with two mounting feet
 with suitable adapter, brass
 and mounting kit
 suitable for: 1131, 1026 and 533

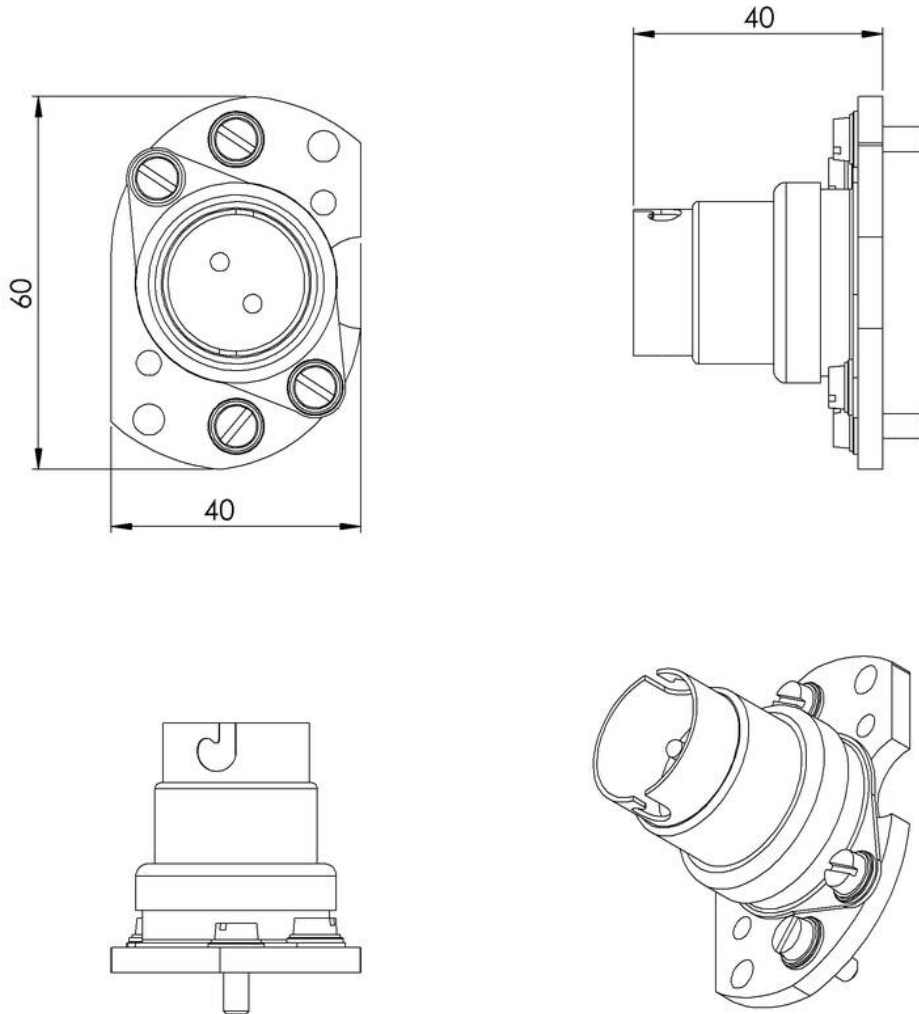
17.06.2026

Your Contact:

WISKA India Pvt. Ltd.

Mr. Omkar Ashar · Unit No.247/248,Raheja Tesla Industrial District II , Edison Bldg No.-1A,
 Plot No.GEN2/1/C/PART, TTC Industrial Area, MIDC, Juinagar, Navi Mumbai 400705, India

☎ +91-22-4967-1438 · ☎ +91-22-4967-1439 · o.ashar@wiska.in · www.wiska.in



Your Contact:

WISKA India Pvt. Ltd.

Mr. Omkar Ashar · Unit No.247/248,Raheja Tesla Industrial District II , Edison Bldg No.-1A,
Plot No.GEN2/1/C/PART, TTC Industrial Area, MIDC, Juinagar, Navi Mumbai 400705, India

☎ +91-22-4967-1438 · ☎ +91-22-4967-1439 · o.ashar@wiska.in · www.wiska.in

Other technical data on request / subject to change without notice