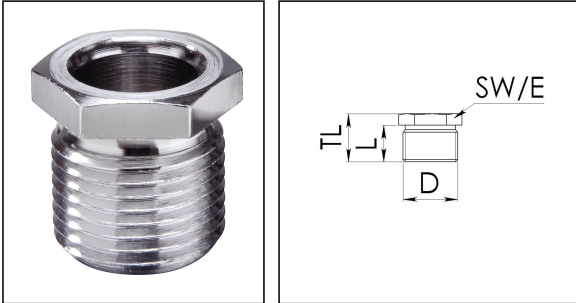


## SBL 24/Cr

Bush, brass chromed-plated, M24



Products may differ in size, colour and appearance to those shown. If you require further information or customisation, please contact us directly.



|                                 |                       |
|---------------------------------|-----------------------|
| <b>Material</b>                 | Brass chromium-plated |
| <b>Temp. range min</b>          | -150 °C               |
| <b>Temp. range max</b>          | 250 °C                |
| <b>Thread type</b>              | M                     |
| <b>Ø Connection thread D</b>    | 24                    |
| <b>Lead</b>                     | 1,5                   |
| <b>Length screw-in thread L</b> | 16 mm                 |
| <b>Key width SW</b>             | 24 mm                 |
| <b>Collar diameter (E)</b>      | 27 mm                 |
| <b>Total length TL</b>          | 21 mm                 |
| <b>Surface</b>                  | Chromium-plated       |
| <b>Order no. chrome-plated</b>  | 30070475              |
| <b>Type</b>                     | SBL 24/Cr             |
| <b>Packing unit</b>             | 1                     |
| <b>ETIM-Classification</b>      | EC000814              |

12.05.2026

Your Contact:

**WISKA India Pvt. Ltd.**

Mr. Omkar Ashar · Unit No.247/248,Raheja Tesla Industrial District II , Edison Bldg No.-1A,  
Plot No.GEN2/1/C/PART, TTC Industrial Area, MIDC, Juinagar, Navi Mumbai 400705, India

☎ +91-22-4967-1438 · ☎ +91-22-4967-1439 · o.ashar@wiska.in · www.wiska.in



Your Contact:

**WISKA India Pvt. Ltd.**

Mr. Omkar Ashar · Unit No.247/248,Raheja Tesla Industrial District II , Edison Bldg No.-1A,  
Plot No.GEN2/1/C/PART, TTC Industrial Area, MIDC, Juinagar, Navi Mumbai 400705, India

☎ +91-22-4967-1438 · ☎ +91-22-4967-1439 · o.ashar@wiska.in · www.wiska.in