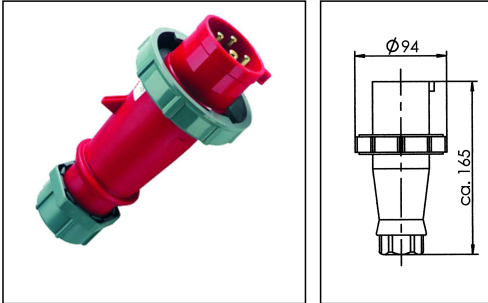


PL-32A-FS-440V-4P-3H-IP67-K02-C01

CEE plug 32A 440V 3h, plastic, IP67



Products may differ in size, colour and appearance to those shown. If you require further information or customisation, please contact us directly.

WISKA-Order no.	50010767
Type	PL-32A-FS-440V-4P-3H-IP67-K02-C01
Material	Plastic
Current	32 A
Voltage max. (V)	440 V
Protection class	IP67
Temp. range min	-25 °C
Temp. range max	45 °C
plug insert	CEE
Clock face position	3h
Terminals/poles	3-pole + E
Ø cable diameter max	22 mm
Weight	0,31 kg
Variations	on request
Tariff number	85366990

Remarks:

Contact: nickel plated contacts, highly
heat resistant contact carrier
Connection technology: Screw terminals

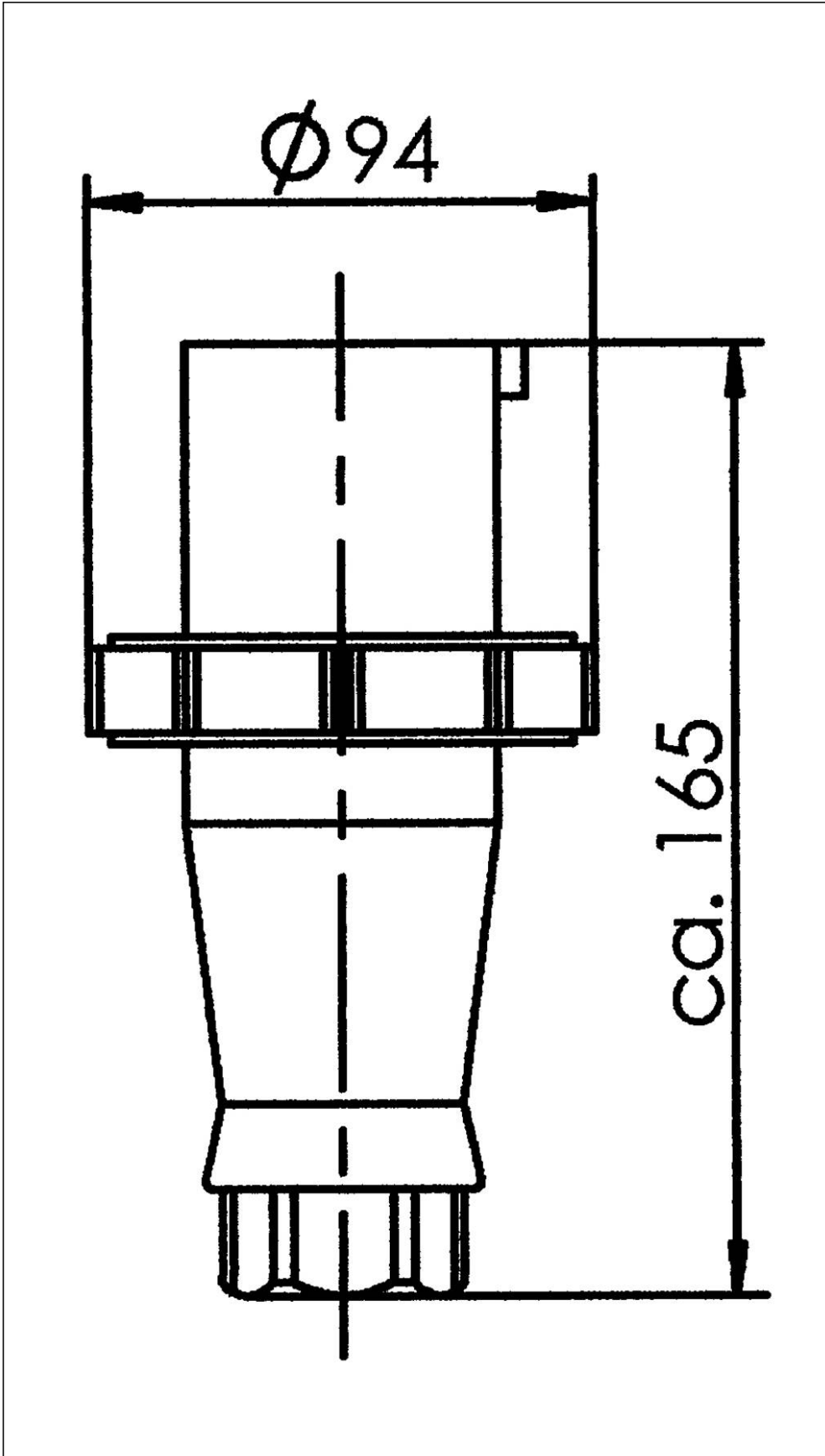
12.05.2026

Your Contact:

WISKA India Pvt. Ltd.

Mr. Omkar Ashar · Unit No.247/248,Raheja Tesla Industrial District II , Edison Bldg No.-1A,
Plot No.GEN2/1/C/PART, TTC Industrial Area, MIDC, Juinagar, Navi Mumbai 400705, India

☎ +91-22-4967-1438 · ☎ +91-22-4967-1439 · o.ashar@wiska.in · www.wiska.in



Your Contact:

WISKA India Pvt. Ltd.

Mr. Omkar Ashar · Unit No.247/248, Raheja Tesla Industrial District II , Edison Bldg No.-1A,
Plot No.GEN2/1/C/PART, TTC Industrial Area, MIDC, Juinagar, Navi Mumbai 400705, India

☎ +91-22-4967-1438 · ☎ +91-22-4967-1439 · o.ashar@wiska.in · www.wiska.in