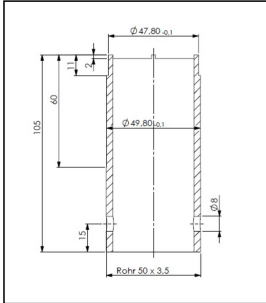


Key for 137/32+138/16

Mounting tool for assambling the socket insert



Products may differ in size, colour and appearance to those shown. If you require further information or customisation, please contact us directly.

Type	Key for 137/32+138/16
WISKA-Order no.	50012475
Material	galvanized steel
Surface	Chromium-plated
Tariff number	85366990

Remarks:

steel, galvanized and blue passivated
 suitable for CEE-plug insert
 137/32 and CEE-socket insert
 138/16

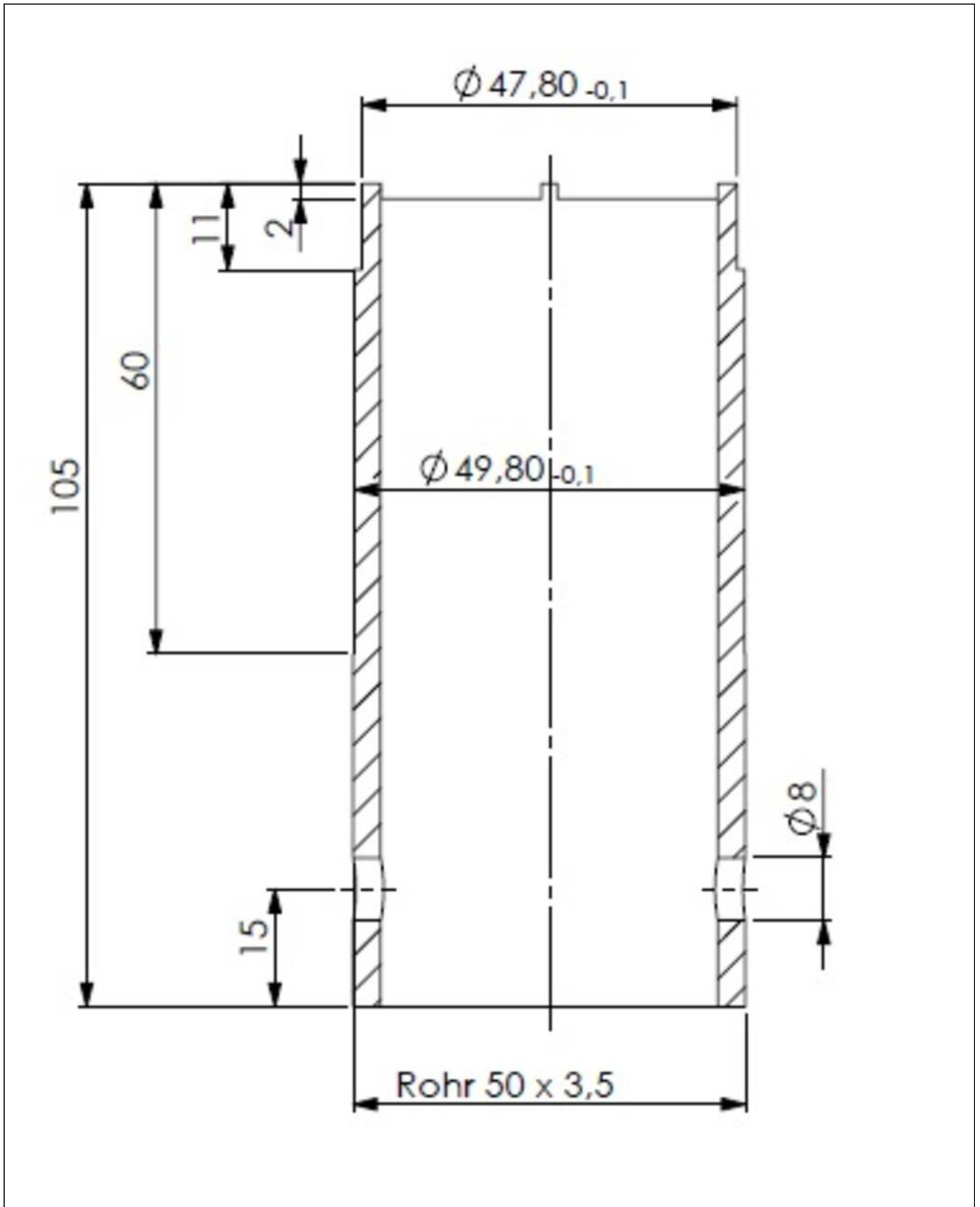
23.05.2026

Your Contact:

WISKA India Pvt. Ltd.

Mr. Omkar Ashar · Unit No.247/248,Raheja Tesla Industrial District II , Edison Bldg No.-1A,
 Plot No.GEN2/1/C/PART, TTC Industrial Area, MIDC, Juinagar, Navi Mumbai 400705, India

☎ +91-22-4967-1438 · ☎ +91-22-4967-1439 · o.ashar@wiska.in · www.wiska.in



Your Contact:

WISKA India Pvt. Ltd.

Mr. Omkar Ashar · Unit No.247/248,Raheja Tesla Industrial District II , Edison Bldg No.-1A,
Plot No.GEN2/1/C/PART, TTC Industrial Area, MIDC, Juinagar, Navi Mumbai 400705, India

+91-22-4967-1438 · +91-22-4967-1439 · o.ashar@wiska.in · www.wiska.in