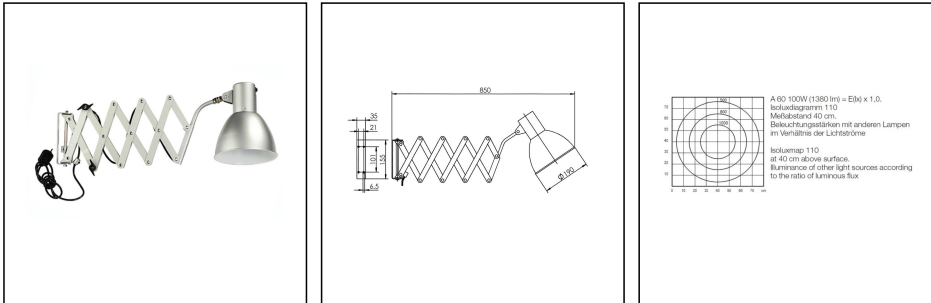


SGL 100 / E27

Working place fixture with switch max. 100W 230V E27 IP20



Products may differ in size, colour and appearance to those shown. If you require further information or customisation, please contact us directly.

WISKA-Order no.	50012546
Type	SGL 100 / E27
Wattage	100 W
Power[^]	1 x 100 W
Voltage	230 V
Type of Voltage	AC
Frequence	50/60 Hz
Protection class	IP20
Operational areas	Indoor work space, Indoor accomodation
Lampholder	E27
Number of lampholder	1 ST
Lightsource	Incandescent lamp, variable
Lightsource incl.	No
Bulb shape	Rod shaped
Weight	1,71 kg
Tariff number	94051990

Remarks:

Working place fixtures
 Wall mounting; total length 85cm
 with switch
 Material Housing: metall
 Lamp: incandescent lamp up to 100W
 (not included in delivery)
 cable with plug

Your Contact:

WISKA India Pvt. Ltd.

Mr. Omkar Ashar · Unit No.247/248,Raheja Tesla Industrial District II , Edison Bldg No.-1A,
 Plot No.GEN2/1/C/PART, TTC Industrial Area, MIDC, Juinagar, Navi Mumbai 400705, India



☎ +91-22-4967-1438 · ☎ +91-22-4967-1439 · o.ashar@wiska.in · www.wiska.in

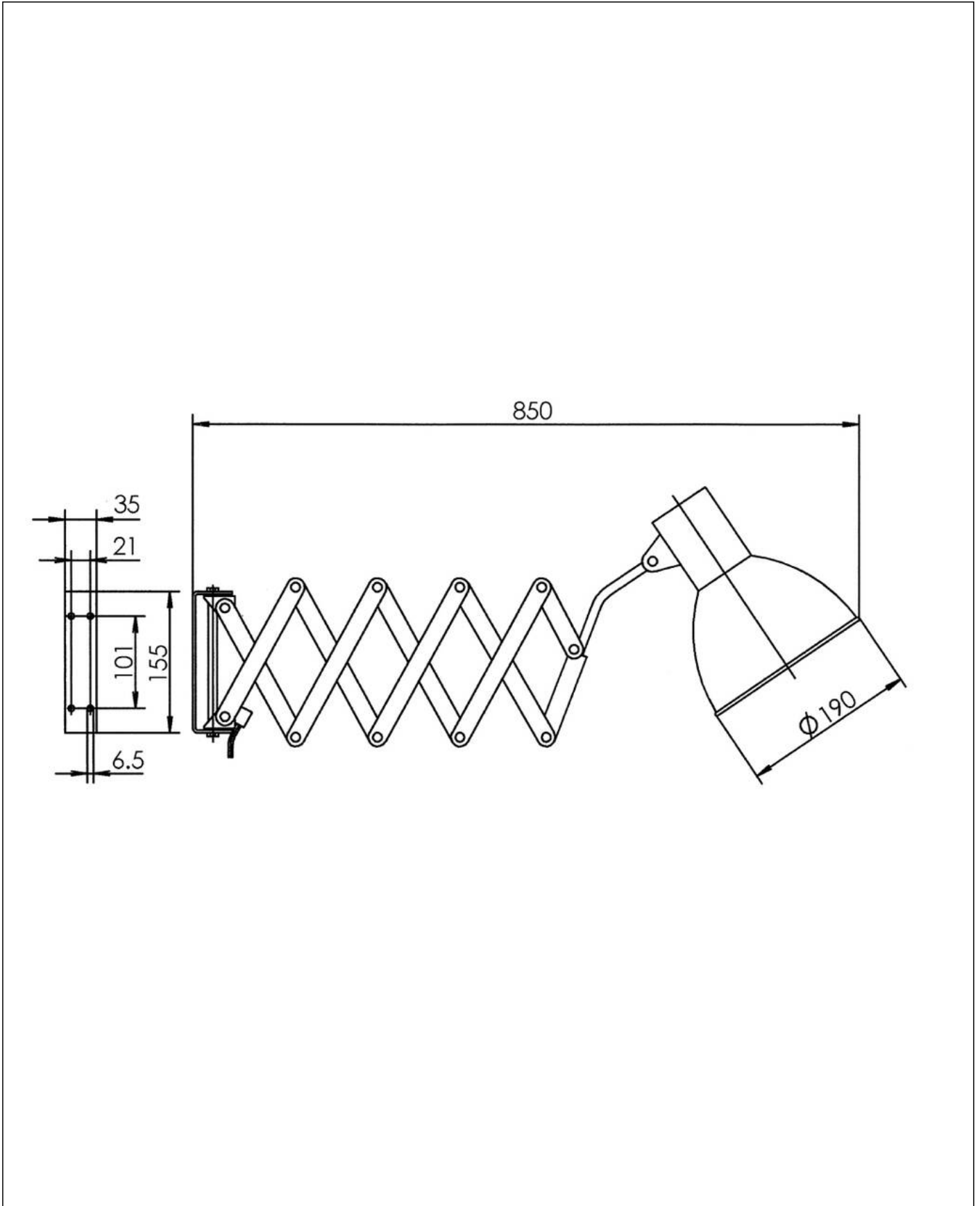
12.05.2026

Your Contact:

WISKA India Pvt. Ltd.

Mr. Omkar Ashar · Unit No.247/248,Raheja Tesla Industrial District II , Edison Bldg No.-1A,
Plot No.GEN2/1/C/PART, TTC Industrial Area, MIDC, Juinagar, Navi Mumbai 400705, India

 +91-22-4967-1438 ·  +91-22-4967-1439 · o.ashar@wiska.in · www.wiska.in

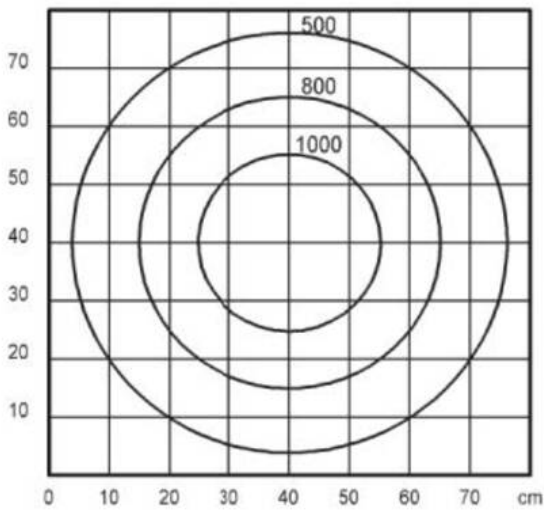


Your Contact:

WISKA India Pvt. Ltd.

Mr. Omkar Ashar · Unit No.247/248,Raheja Tesla Industrial District II , Edison Bldg No.-1A,
Plot No.GEN2/1/C/PART, TTC Industrial Area, MIDC, Juinagar, Navi Mumbai 400705, India

☎ +91-22-4967-1438 · ☎ +91-22-4967-1439 · o.ashar@wiska.in · www.wiska.in



A 60 100W (1380 lm) = $E(lx) \times 1,0$.

Isoluxdiagramm 110

Meßabstand 40 cm.

Beleuchtungsstärken mit anderen Lampen
im Verhältnis der Lichtströme

Isoluxmap 110

at 40 cm above surface.

Illuminance of other light sources according
to the ratio of luminous flux

Your Contact:

WISKA India Pvt. Ltd.

Mr. Omkar Ashar · Unit No.247/248,Raheja Tesla Industrial District II , Edison Bldg No.-1A,
Plot No.GEN2/1/C/PART, TTC Industrial Area, MIDC, Juinagar, Navi Mumbai 400705, India

☎ +91-22-4967-1438 · ☎ +91-22-4967-1439 · o.ashar@wiska.in · www.wiska.in