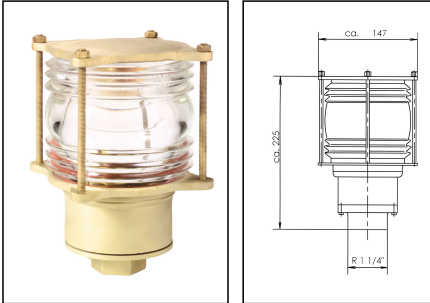


1009/3x40/1953

Morse light 3x40W 230V E27 IP56 clear cover



Products may differ in size, colour and appearance to those shown. If you require further information or customisation, please contact us directly.

WISKA-Order no.	50012844
Type	1009/3x40/1953
Material	Brass
Material globe/diffuser	Glass
Globe colour	Clear
Wattage	120 W
Power[^]	3 x 40 W
Voltage max. (V)	230 V
Protection class	IP56
Operational areas	Outdoor
Temp. range min	-25 °C
Temp. range max	45 °C
Lampholder	E27
Number of lampholder	3 ST
Lightsource	Incandescent lamp
Lightsource incl.	No
Sector	360°
Mounting	Upside
External dimensions LxWxH	225x147mm
Weight	4,78 kg
Tariff number	94051990

Equipment:

- Fresnel lens, clear
- Connection thread R1 1/4"

Your Contact:

WISKA India Pvt. Ltd.

Mr. Omkar Ashar · Unit No.247/248,Raheja Tesla Industrial District II , Edison Bldg No.-1A,
Plot No.GEN2/1/C/PART, TTC Industrial Area, MIDC, Juinagar, Navi Mumbai 400705, India

☎ +91-22-4967-1438 · ☎ +91-22-4967-1439 · o.ashar@wiska.in · www.wiska.in

Spare parts



SP-1953 Nipple lampholder R 3/8" E27	22000276
SP-1909/clear	22000317

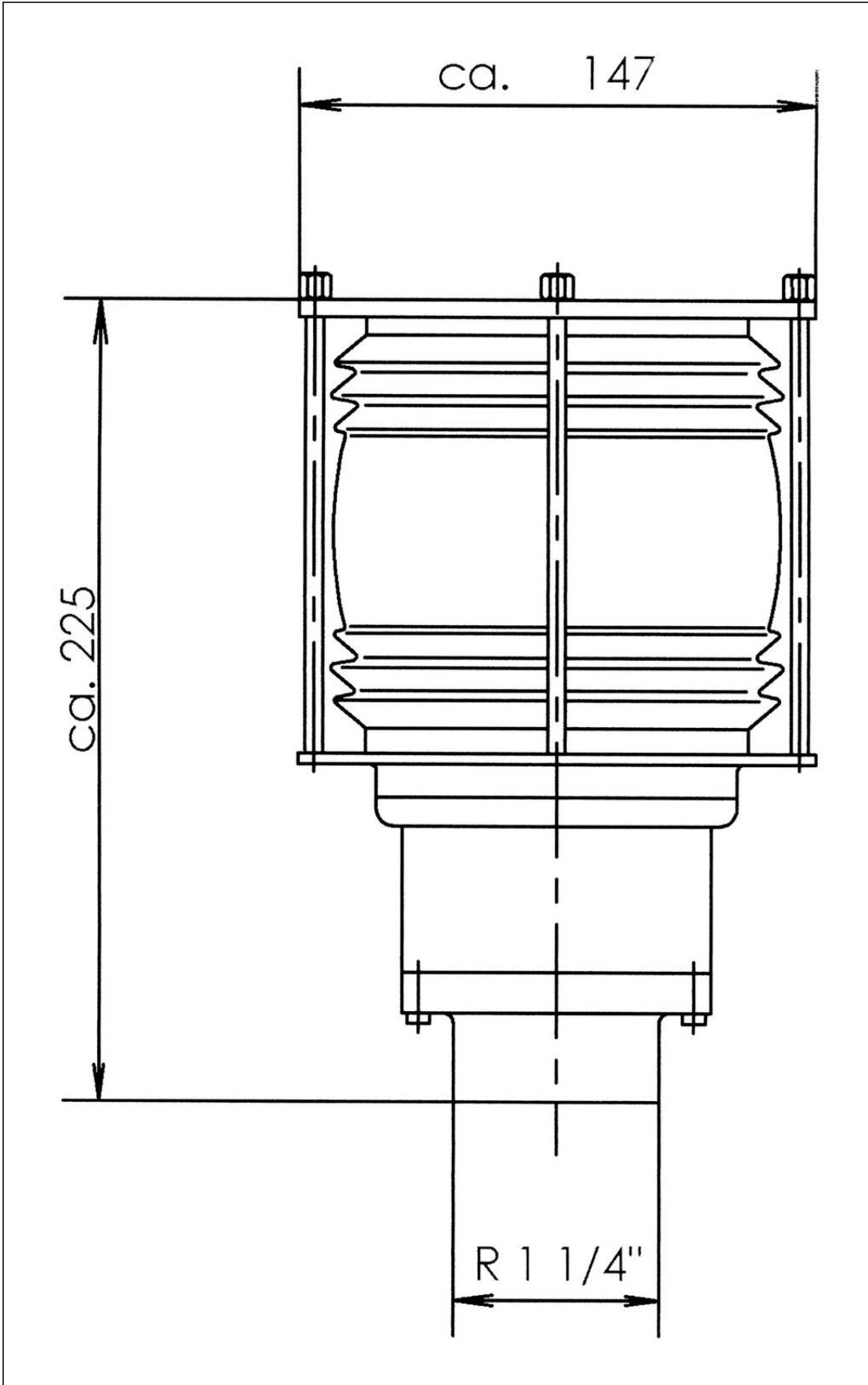
12.05.2026

Your Contact:

WISKA India Pvt. Ltd.

Mr. Omkar Ashar · Unit No.247/248,Raheja Tesla Industrial District II , Edison Bldg No.-1A,
Plot No.GEN2/1/C/PART, TTC Industrial Area, MIDC, Juinagar, Navi Mumbai 400705, India

 +91-22-4967-1438 ·  +91-22-4967-1439 · o.ashar@wiska.in · www.wiska.in



Your Contact:

WISKA India Pvt. Ltd.

Mr. Omkar Ashar · Unit No.247/248,Raheja Tesla Industrial District II , Edison Bldg No.-1A,
Plot No.GEN2/1/C/PART, TTC Industrial Area, MIDC, Juinagar, Navi Mumbai 400705, India

☎ +91-22-4967-1438 · ☎ +91-22-4967-1439 · o.ashar@wiska.in · www.wiska.in