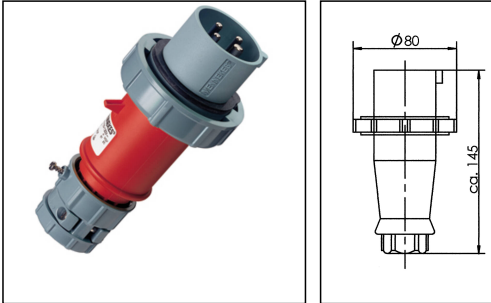


**PL-16A-FS-440V-4P-11H-IP67-K02-C01**

CEE plug 16A 440V 11h, plastic, IP67



Products may differ in size, colour and appearance to those shown. If you require further information or customisation, please contact us directly.

<b>WISKA-Order no.</b>	50013014
<b>Type</b>	PL-16A-FS-440V-4P-11H-IP67-K02-C01
<b>Material</b>	Plastic
<b>Current</b>	16 A
<b>Voltage max. (V)</b>	440 V
<b>Protection class</b>	IP67
<b>Temp. range min</b>	-25 °C
<b>Temp. range max</b>	45 °C
<b>plug insert</b>	CEE
<b>Clock face position</b>	11h
<b>Terminals/poles</b>	3-pole + E
<b>Weight</b>	1 kg
<b>Variations</b>	on request
<b>Tariff number</b>	85366990

Remarks:

Contact: nickel plated contacts, highly  
heat resistant contact carrier  
Connection technology: Screw terminals

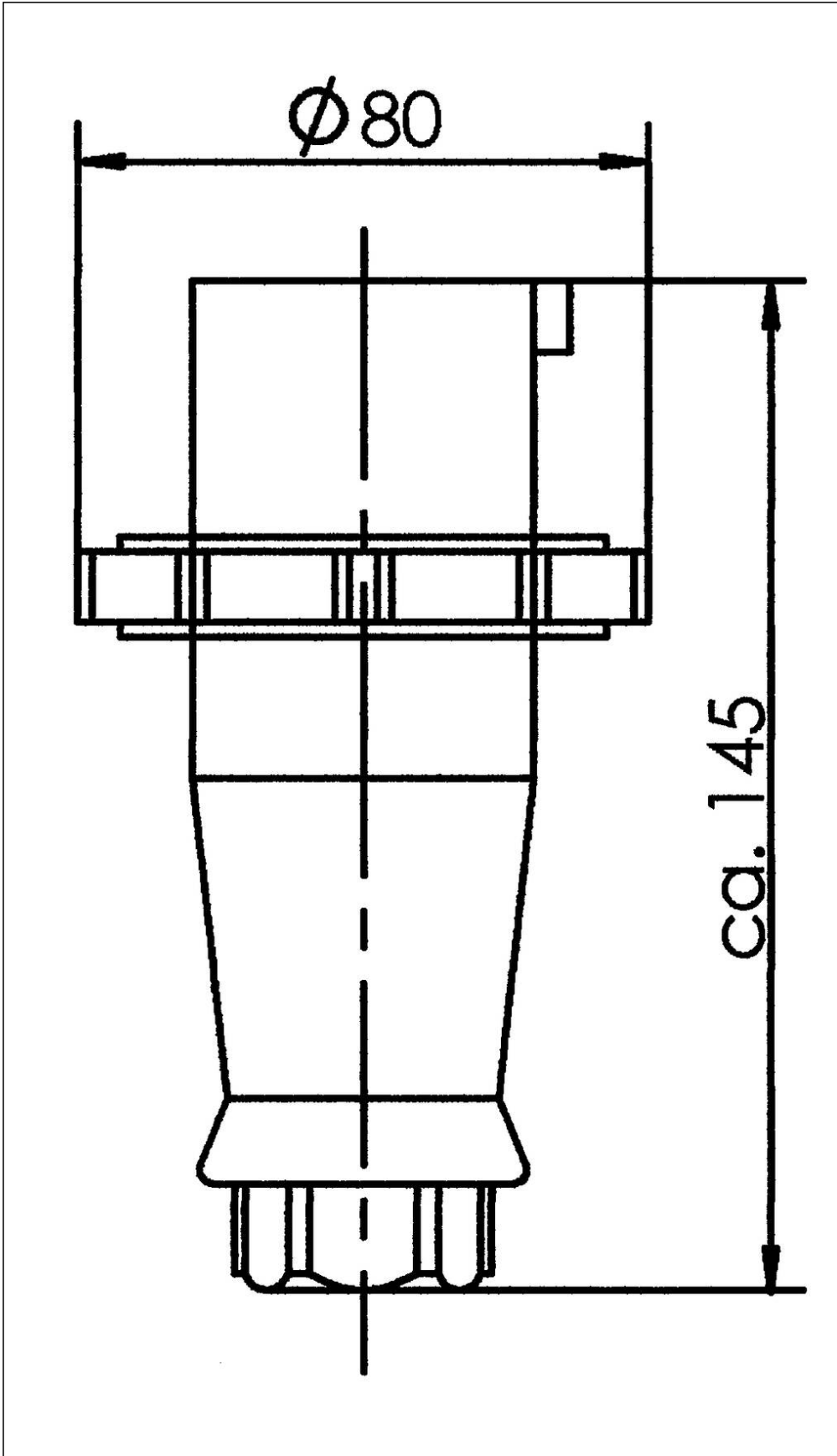
12.05.2026

Your Contact:

**WISKA India Pvt. Ltd.**

Mr. Omkar Ashar · Unit No.247/248,Raheja Tesla Industrial District II , Edison Bldg No.-1A,  
Plot No.GEN2/1/C/PART, TTC Industrial Area, MIDC, Juinagar, Navi Mumbai 400705, India

☎ +91-22-4967-1438 · ☎ +91-22-4967-1439 · o.ashar@wiska.in · www.wiska.in



Your Contact:

**WISKA India Pvt. Ltd.**

Mr. Omkar Ashar · Unit No.247/248, Raheja Tesla Industrial District II , Edison Bldg No.-1A,  
Plot No.GEN2/1/C/PART, TTC Industrial Area, MIDC, Juinagar, Navi Mumbai 400705, India

☎ +91-22-4967-1438 · ☎ +91-22-4967-1439 · o.ashar@wiska.in · www.wiska.in

Other technical data on request / subject to change without notice