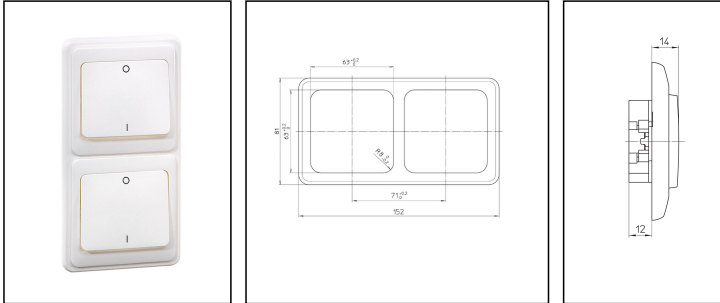


## PH-RSF-16D-1.2-NWT

Rocker switches 2-gang, flush mounting, plastic, white, IP20



Products may differ in size, colour and appearance to those shown. If you require further information or customisation, please contact us directly.



<b>WISKA-Order no.</b>	50015701
<b>Type</b>	PH-RSF-16D-1.2-NWT
<b>Voltage</b>	250 V
<b>Type of Voltage</b>	AC
<b>Current</b>	16 A
<b>Protection class</b>	IP20
<b>Material</b>	Urea moulding compound
<b>Mounting</b>	Recessed mounting
<b>Type of switch</b>	On-Off, 2-pole
<b>Colour</b>	Pure white, similar RAL 9010
<b>Tariff number</b>	85365080

### Recommended accessories

<b>Box 2-gang Kaiser 9062-02</b>	50100411
----------------------------------	----------

### Spare parts

<b>PH D 80.672.02 Frame 2-gang</b>	50105076
<b>PH D 80.642.02 Rocker switch</b>	50105081

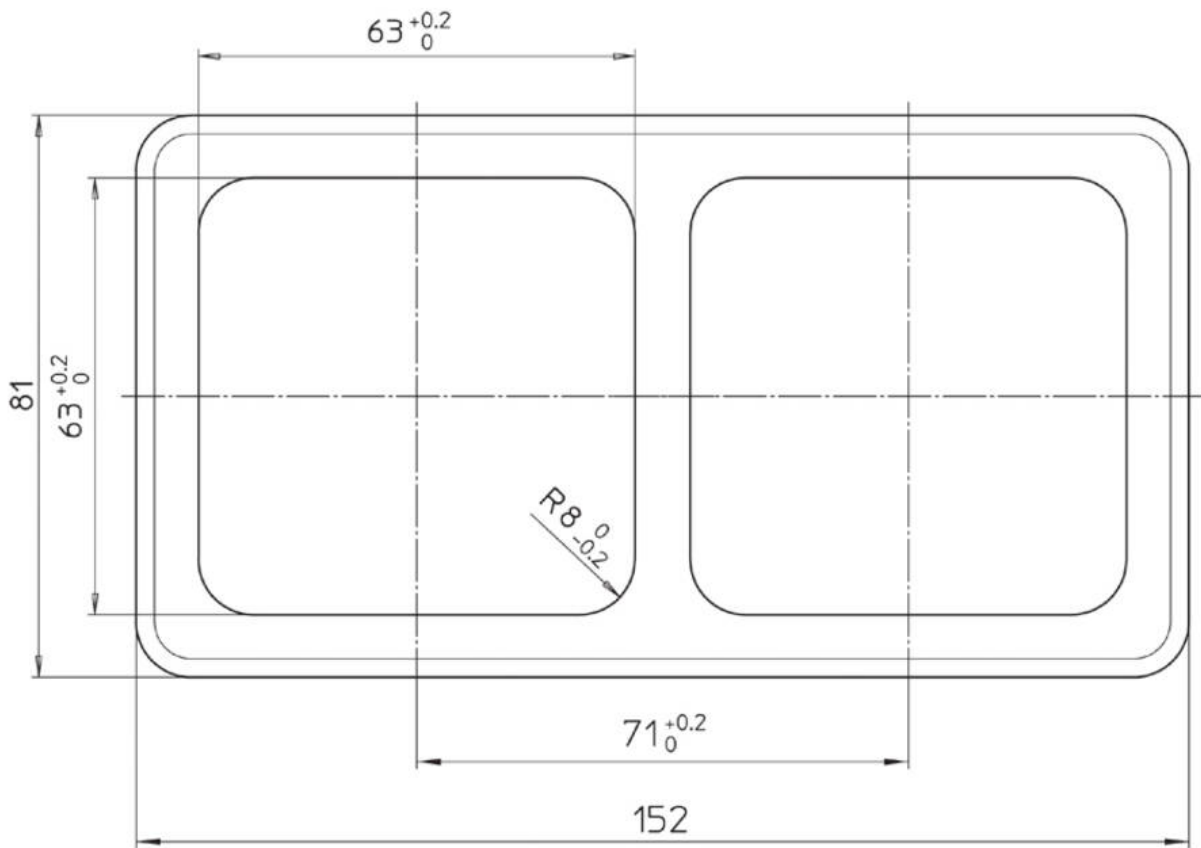
12.05.2026

Your Contact:

**WISKA India Pvt. Ltd.**

Mr. Omkar Ashar · Unit No.247/248,Raheja Tesla Industrial District II , Edison Bldg No.-1A,  
Plot No.GEN2/1/C/PART, TTC Industrial Area, MIDC, Juinagar, Navi Mumbai 400705, India

☎ +91-22-4967-1438 · ☎ +91-22-4967-1439 · o.ashar@wiska.in · www.wiska.in

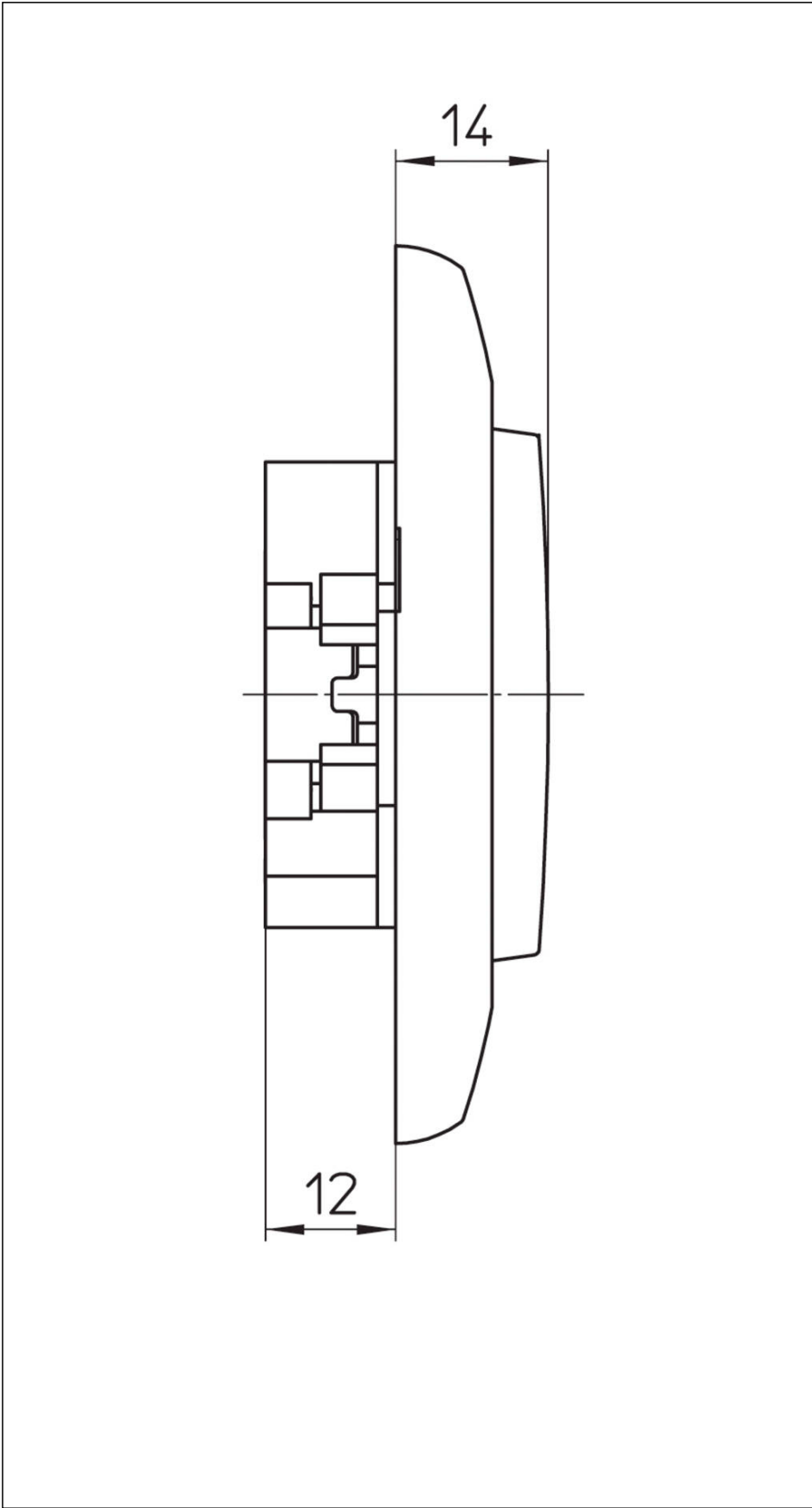


Your Contact:

**WISKA India Pvt. Ltd.**

Mr. Omkar Ashar · Unit No.247/248, Raheja Tesla Industrial District II , Edison Bldg No.-1A,  
Plot No.GEN2/1/C/PART, TTC Industrial Area, MIDC, Juinagar, Navi Mumbai 400705, India

☎ +91-22-4967-1438 · ☎ +91-22-4967-1439 · o.ashar@wiska.in · www.wiska.in



Your Contact:

**WISKA India Pvt. Ltd.**

Mr. Omkar Ashar · Unit No.247/248,Raheja Tesla Industrial District II , Edison Bldg No.-1A,  
Plot No.GEN2/1/C/PART, TTC Industrial Area, MIDC, Juinagar, Navi Mumbai 400705, India

☎ +91-22-4967-1438 · ☎ +91-22-4967-1439 · o.ashar@wiska.in · www.wiska.in