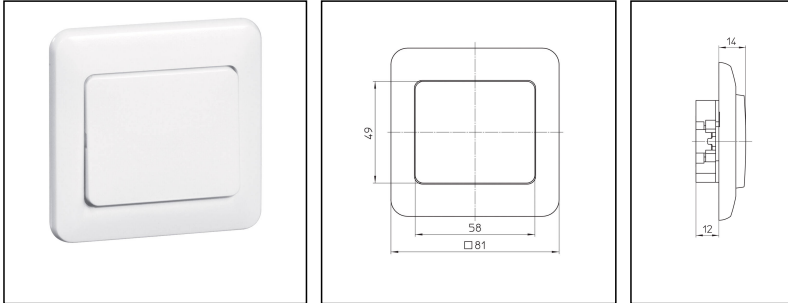


PH-RSF-10-6.2-NWT

Rocker switch flush mounting, plastic, white, IP20



Products may differ in size, colour and appearance to those shown. If you require further information or customisation, please contact us directly.

FEHA

WISKA-Order no.	50015702
Type	PH-RSF-10-6.2-NWT
Voltage	250 V
Type of Voltage	AC
Current	10 A
Protection class	IP20
Material	Urea moulding compound
Mounting	Recessed mounting
Type of switch	Change-over, 2-pole
Colour	Pure white, similar RAL 9010
Tariff number	85365080

Recommended accessories

Switch box cavity wall, Kaiser 9061-00	50016285
---	----------

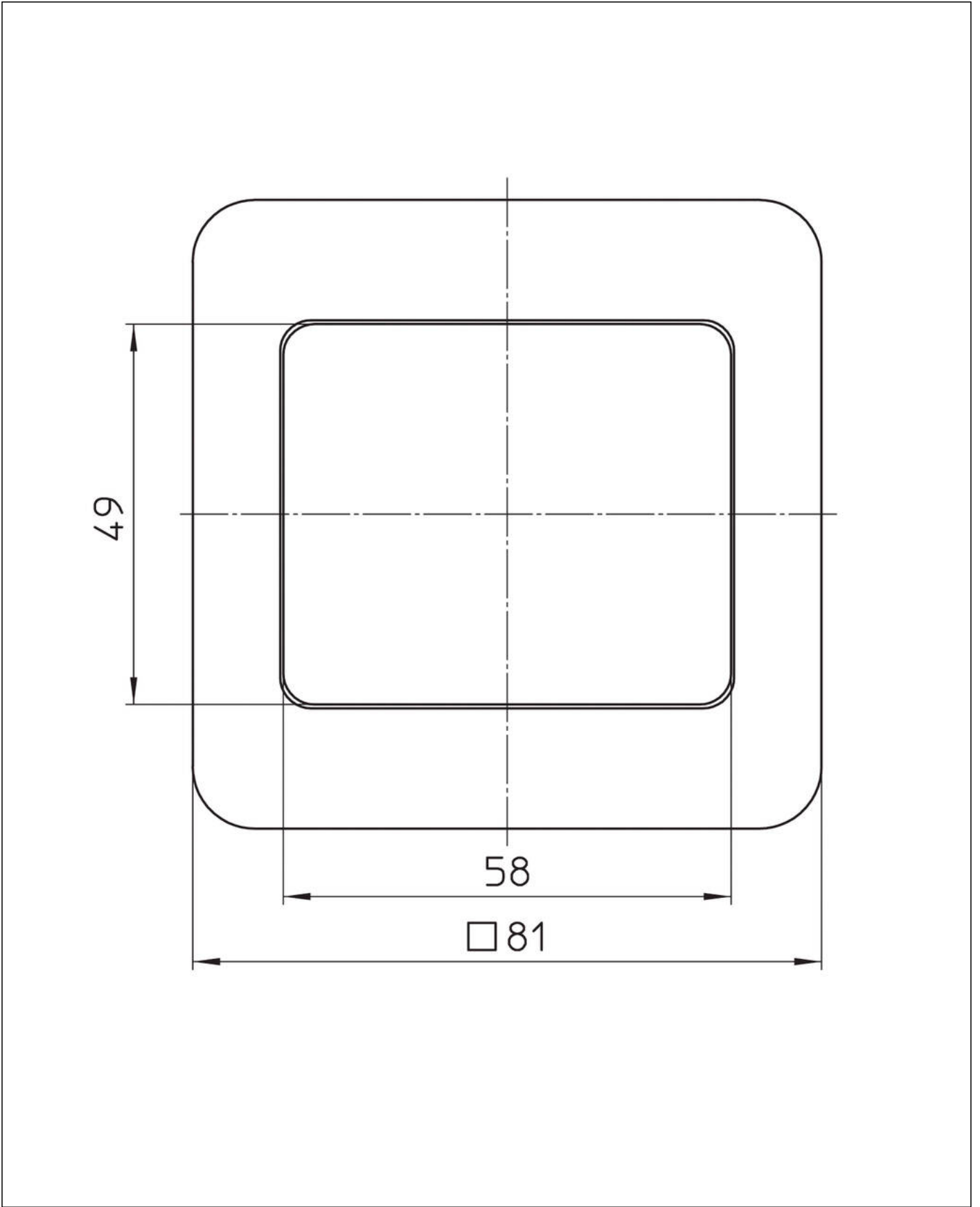
12.05.2026

Your Contact:

WISKA India Pvt. Ltd.

Mr. Omkar Ashar · Unit No.247/248,Raheja Tesla Industrial District II , Edison Bldg No.-1A,
Plot No.GEN2/1/C/PART, TTC Industrial Area, MIDC, Juinagar, Navi Mumbai 400705, India

☎ +91-22-4967-1438 · ☎ +91-22-4967-1439 · o.ashar@wiska.in · www.wiska.in

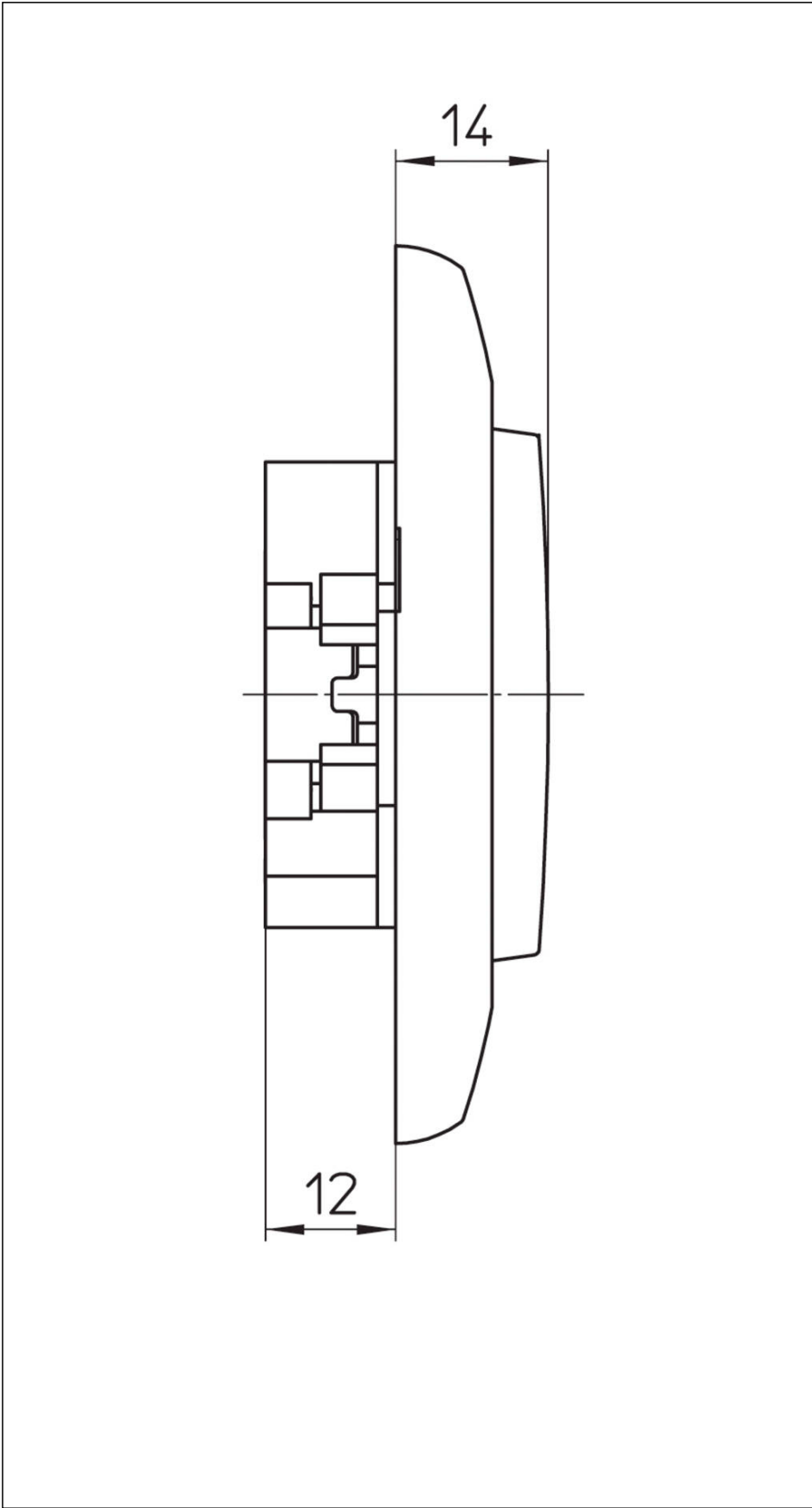


Your Contact:

WISKA India Pvt. Ltd.

Mr. Omkar Ashar · Unit No.247/248,Raheja Tesla Industrial District II , Edison Bldg No.-1A,
Plot No.GEN2/1/C/PART, TTC Industrial Area, MIDC, Juinagar, Navi Mumbai 400705, India

☎ +91-22-4967-1438 · ☎ +91-22-4967-1439 · o.ashar@wiska.in · www.wiska.in



Your Contact:

WISKA India Pvt. Ltd.

Mr. Omkar Ashar · Unit No.247/248,Raheja Tesla Industrial District II , Edison Bldg No.-1A,
Plot No.GEN2/1/C/PART, TTC Industrial Area, MIDC, Juinagar, Navi Mumbai 400705, India

☎ +91-22-4967-1438 · ☎ +91-22-4967-1439 · o.ashar@wiska.in · www.wiska.in