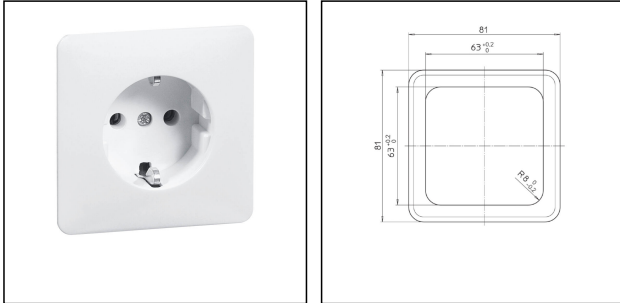


PH-SSF-16-NWT

SCHUKO socket flush mounting 230V, plastic, white, IP20



Products may differ in size, colour and appearance to those shown. If you require further information or customisation, please contact us directly.



WISKA-Order no.	50015712
Type	PH-SSF-16-NWT
Voltage	250 V
Current	16 A
Protection class	IP20
Material	Urea moulding compound
External dimensions LxWxH	81x81x5,5mm
Socket insert	SCHUKO
Terminals/poles	2-pole + E
Weight	0,09 kg
Colour	Pure white, similar RAL 9010
Mounting	Recessed mounting
Variations	on request
Tariff number	85366990

Remarks:

- with full cover plate

Recommended accessories

Switch box cavity wall, Kaiser 9061-00	50016285
---	----------

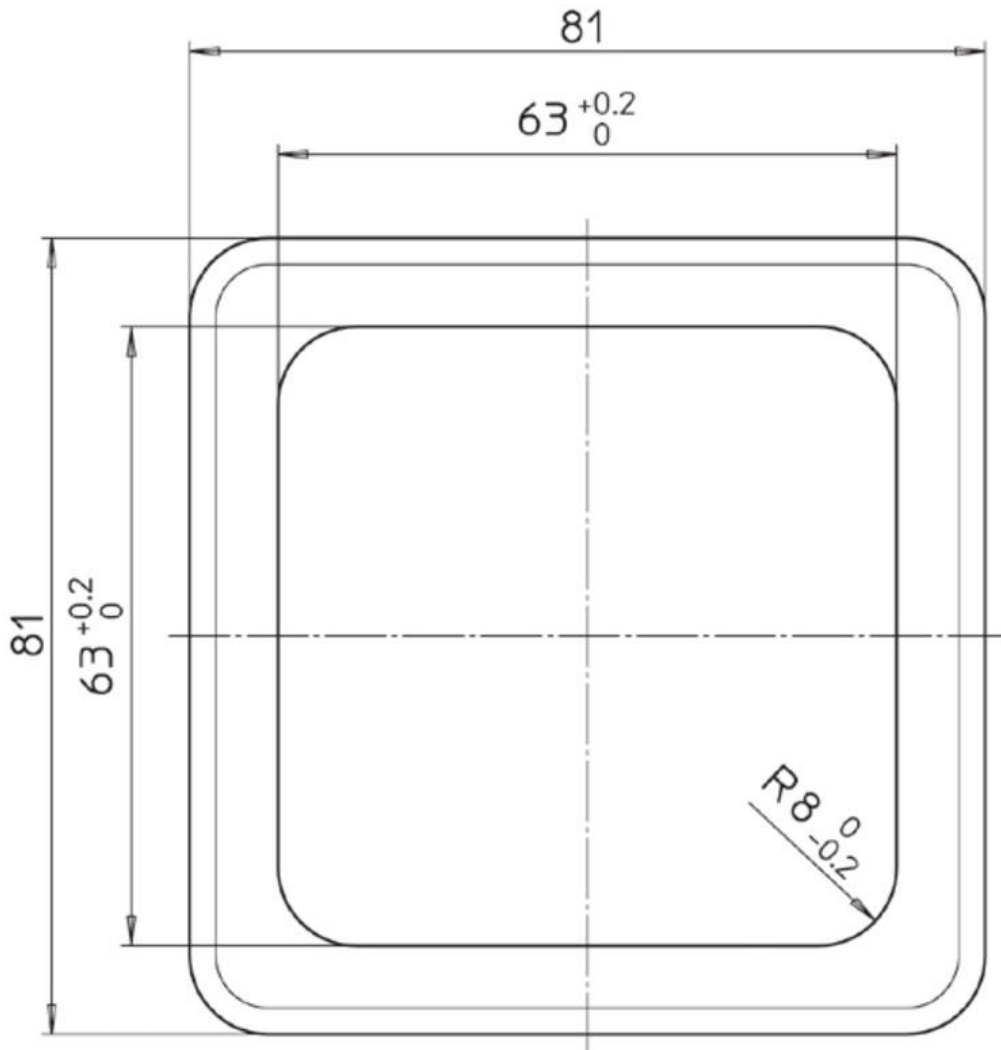
12.05.2026

Your Contact:

WISKA India Pvt. Ltd.

Mr. Omkar Ashar · Unit No.247/248,Raheja Tesla Industrial District II , Edison Bldg No.-1A,
Plot No.GEN2/1/C/PART, TTC Industrial Area, MIDC, Juinagar, Navi Mumbai 400705, India

☎ +91-22-4967-1438 · ☎ +91-22-4967-1439 · o.ashar@wiska.in · www.wiska.in



Your Contact:

WISKA India Pvt. Ltd.

Mr. Omkar Ashar · Unit No.247/248,Raheja Tesla Industrial District II , Edison Bldg No.-1A,
Plot No.GEN2/1/C/PART, TTC Industrial Area, MIDC, Juinagar, Navi Mumbai 400705, India

☎ +91-22-4967-1438 · ☎ +91-22-4967-1439 · o.ashar@wiska.in · www.wiska.in