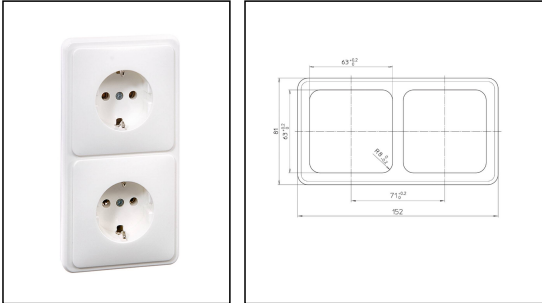


## PH-SSF-16D-NWT

SCHUKO double socket flush mounting 230V IP20, plastic, white



Products may differ in size, colour and appearance to those shown. If you require further information or customisation, please contact us directly.



<b>WISKA-Order no.</b>	50015713
<b>Type</b>	PH-SSF-16D-NWT
<b>Voltage</b>	250 V
<b>Current</b>	16 A
<b>Protection class</b>	IP20
<b>Material</b>	Urea moulding compound
<b>External dimensions LxWxH</b>	81x152x5,5mm
<b>Socket insert</b>	SCHUKO
<b>Terminals/poles</b>	2-pole + E
<b>Weight</b>	0,19 kg
<b>Colour</b>	Pure white, similar RAL 9010
<b>Mounting</b>	Recessed mounting
<b>Variations</b>	on request
<b>Tariff number</b>	85366990

Remarks:

- with central plate + frame 2-gang

### Recommended accessories

<b>Box 2-gang Kaiser 9062-02</b>	50100411
<b>Spare parts</b>	
<b>PH D 80.672.02 Frame 2-gang</b>	50105076

Your Contact:

WISKA India Pvt. Ltd.

Mr. Omkar Ashar · Unit No.247/248,Raheja Tesla Industrial District II , Edison Bldg No.-1A,  
Plot No.GEN2/1/C/PART, TTC Industrial Area, MIDC, Juinagar, Navi Mumbai 400705, India

☎ +91-22-4967-1438 · ☎ +91-22-4967-1439 · o.ashar@wiska.in · www.wiska.in

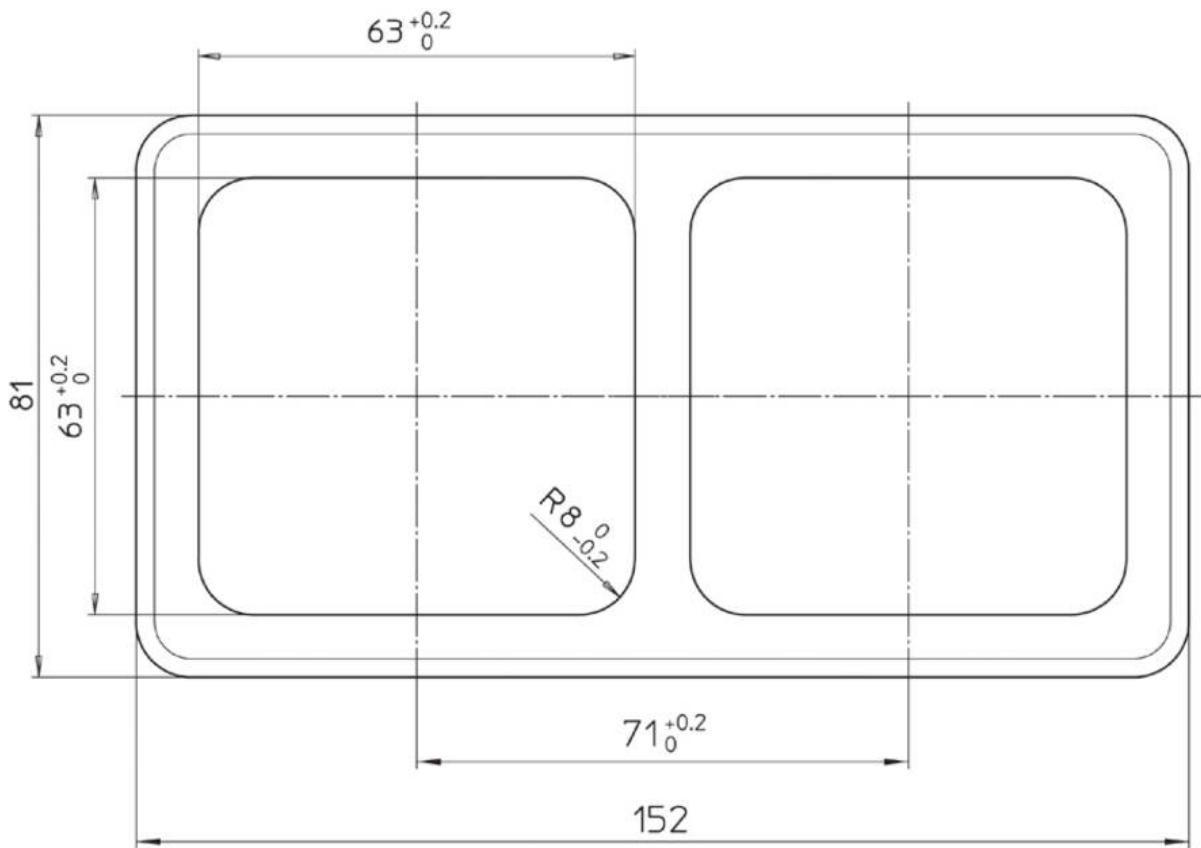
12.05.2026

Your Contact:

**WISKA India Pvt. Ltd.**

Mr. Omkar Ashar · Unit No.247/248,Raheja Tesla Industrial District II , Edison Bldg No.-1A,  
Plot No.GEN2/1/C/PART, TTC Industrial Area, MIDC, Juinagar, Navi Mumbai 400705, India

☎ +91-22-4967-1438 · ☎ +91-22-4967-1439 · o.ashar@wiska.in · www.wiska.in



Your Contact:

**WISKA India Pvt. Ltd.**

Mr. Omkar Ashar · Unit No.247/248,Raheja Tesla Industrial District II , Edison Bldg No.-1A,  
Plot No.GEN2/1/C/PART, TTC Industrial Area, MIDC, Juinagar, Navi Mumbai 400705, India

☎ +91-22-4967-1438 · ☎ +91-22-4967-1439 · o.ashar@wiska.in · www.wiska.in