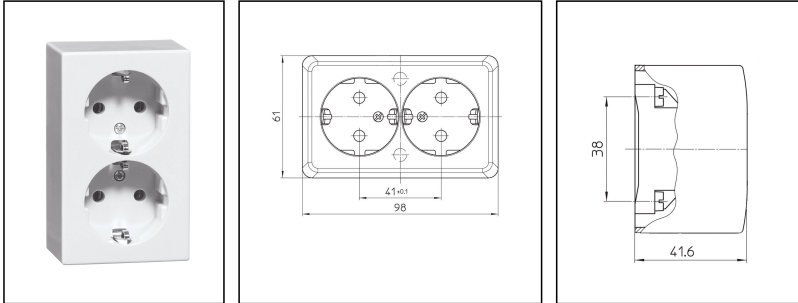


PH D 6652.02 SI BF

SCHUKO double socket surface mounting 230V, plastic, white, IP20



Products may differ in size, colour and appearance to those shown. If you require further information or customisation, please contact us directly.



WISKA-Order no.	50015716
Type	PH D 6652.02 SI BF
Voltage	250 V
Current	16 A
Protection class	IP20
Material	Urea moulding compound
External dimensions LxWxH	61x98x41,6mm
Socket insert	SCHUKO
Terminals/poles	2-pole + E
Weight	0,12 kg
Colour	Pure white, similar RAL 9010
Mounting	Surface mounting
Variations	on request
Tariff number	85366990

Remarks:

Schuko double socket surface mounting
 IP 20
 with screw terminals
 heightened electric shock protection
 Current intensity: 16A
 Material: Duroplast
 Colour: pure white, similar RAL 9010
 Socket interior: 2-pole + PE
 98x60x40,8mm

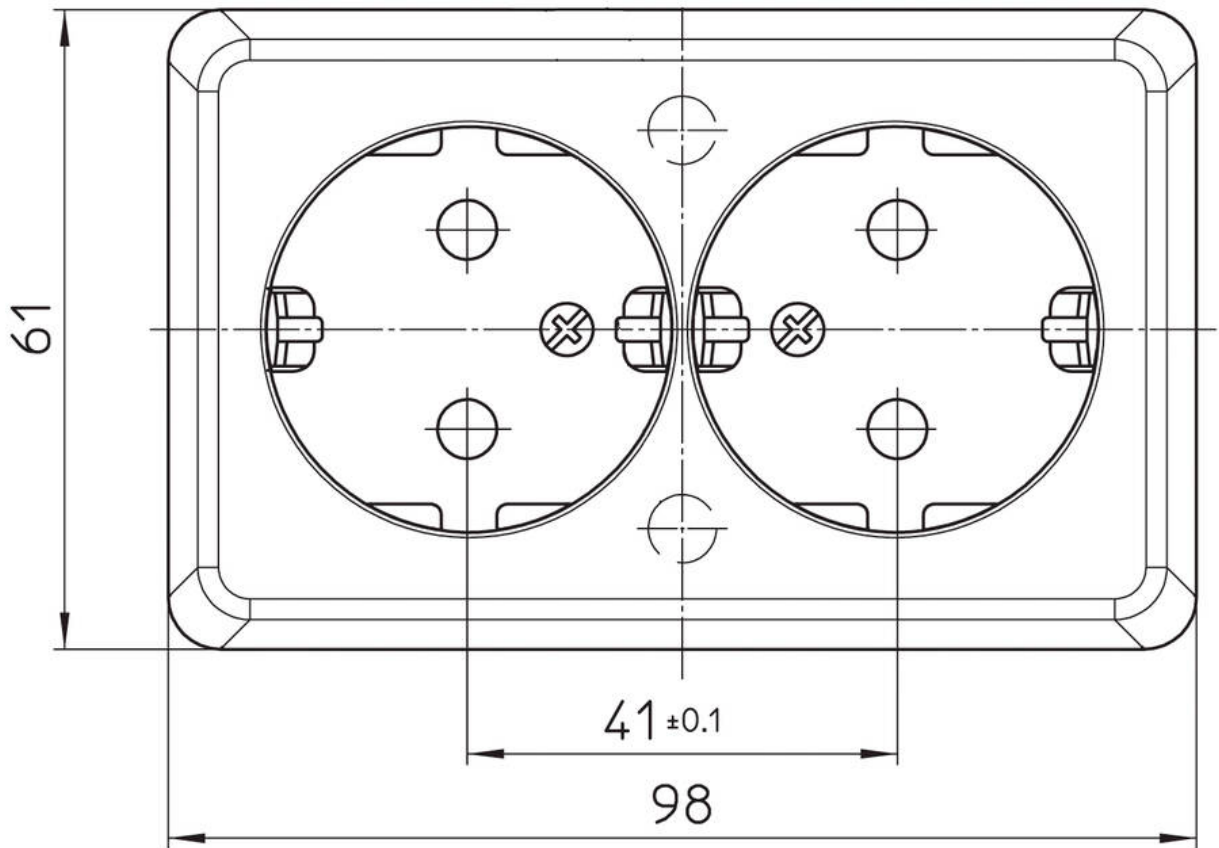
23.05.2026

Your Contact:

WISKA India Pvt. Ltd.

Mr. Omkar Ashar · Unit No.247/248,Raheja Tesla Industrial District II , Edison Bldg No.-1A,
 Plot No.GEN2/1/C/PART, TTC Industrial Area, MIDC, Juinagar, Navi Mumbai 400705, India

☎ +91-22-4967-1438 · ☎ +91-22-4967-1439 · o.ashar@wiska.in · www.wiska.in

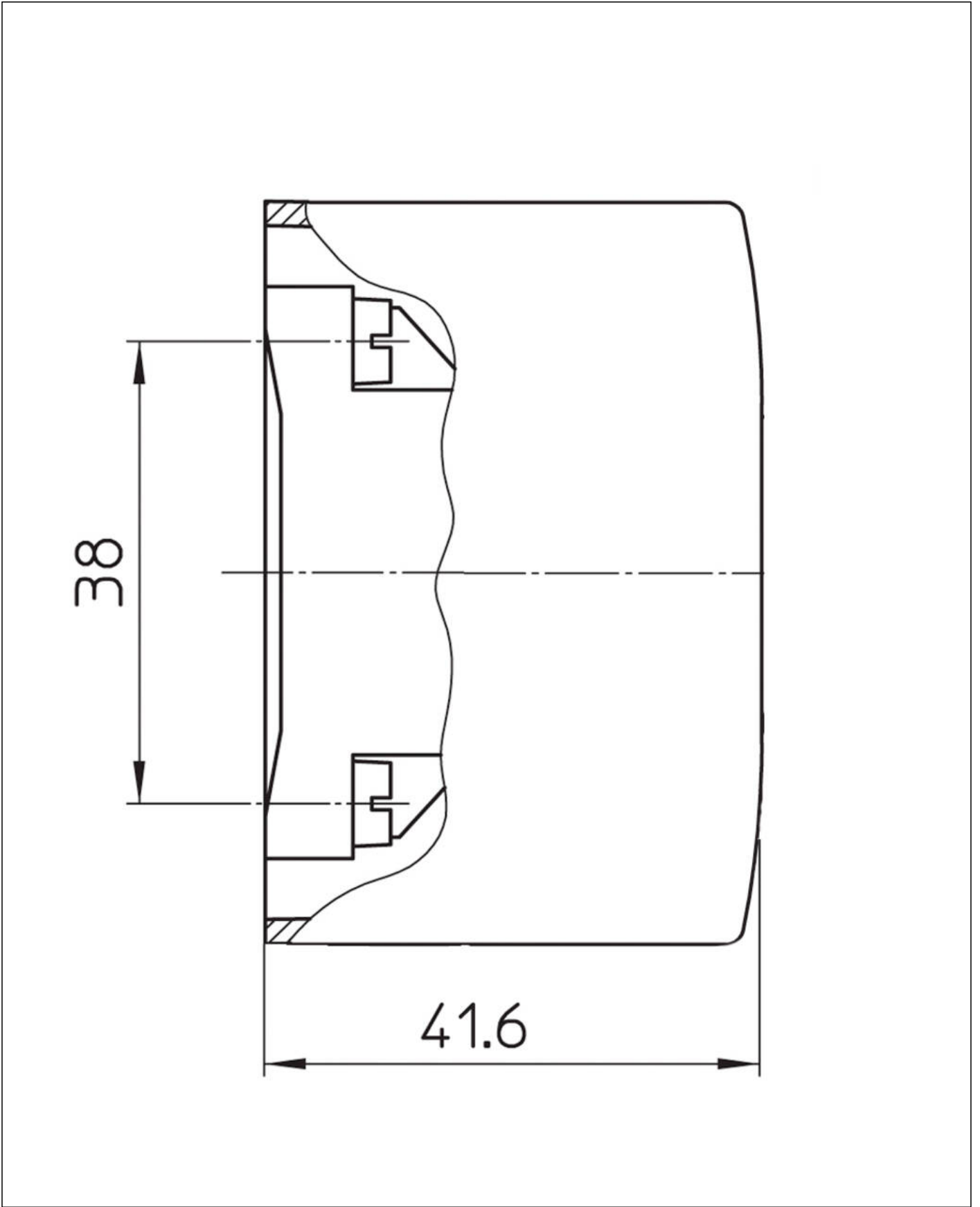


Your Contact:

WISKA India Pvt. Ltd.

Mr. Omkar Ashar · Unit No.247/248, Raheja Tesla Industrial District II , Edison Bldg No.-1A,
Plot No.GEN2/1/C/PART, TTC Industrial Area, MIDC, Juinagar, Navi Mumbai 400705, India

☎ +91-22-4967-1438 · ☎ +91-22-4967-1439 · o.ashar@wiska.in · www.wiska.in



Your Contact:

WISKA India Pvt. Ltd.

Mr. Omkar Ashar · Unit No.247/248,Raheja Tesla Industrial District II , Edison Bldg No.-1A,
Plot No.GEN2/1/C/PART, TTC Industrial Area, MIDC, Juinagar, Navi Mumbai 400705, India

☎ +91-22-4967-1438 · ☎ +91-22-4967-1439 · o.ashar@wiska.in · www.wiska.in