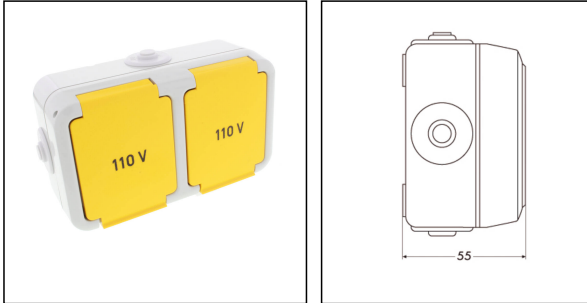


PH-D 6682/15 US WAB

NEMA double socket surface mounting 125V IP54, plastic, grey



Products may differ in size, colour and appearance to those shown. If you require further information or customisation, please contact us directly.



WISKA-Order no.	50016368
Type	PH-D 6682/15 US WAB
Voltage	125 V
Current	15 A
Protection class	IP54
Material	Thermoplastic
External dimensions LxWxH	137x82x55mm
Socket insert	NEMA
Terminals/poles	2-pole + E
Weight	0,25 kg
Colour	Grey
Mounting	Surface mounting
Variations	on request
Tariff number	85363010

Remarks:

U.S. NEMA socket 2-gang,
 surface IP44
 Material: Thermoplastic
 Color: gray
 5-15 R, 15 A 125 V
 Export socket USA 125 V,
 2-pole + E,
 horizontally with yellow hinged lid,
 with imprint 110 V

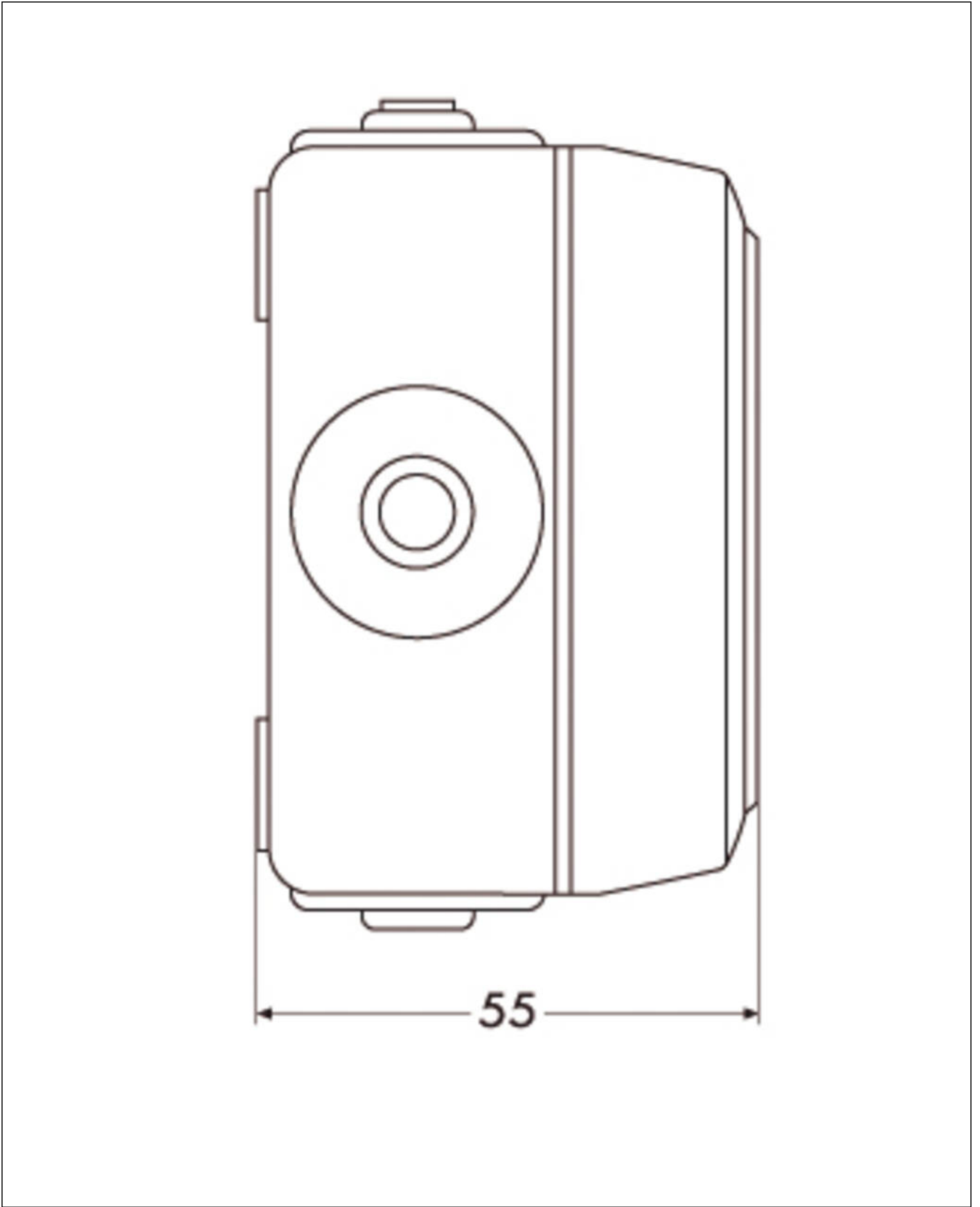
12.05.2026

Your Contact:

WISKA India Pvt. Ltd.

Mr. Omkar Ashar · Unit No.247/248,Raheja Tesla Industrial District II , Edison Bldg No.-1A,
 Plot No.GEN2/1/C/PART, TTC Industrial Area, MIDC, Juinagar, Navi Mumbai 400705, India

☎ +91-22-4967-1438 · ☎ +91-22-4967-1439 · o.ashar@wiska.in · www.wiska.in



Your Contact:

WISKA India Pvt. Ltd.

Mr. Omkar Ashar · Unit No.247/248,Raheja Tesla Industrial District II , Edison Bldg No.-1A,
Plot No.GEN2/1/C/PART, TTC Industrial Area, MIDC, Juinagar, Navi Mumbai 400705, India

☎ +91-22-4967-1438 · ☎ +91-22-4967-1439 · o.ashar@wiska.in · www.wiska.in