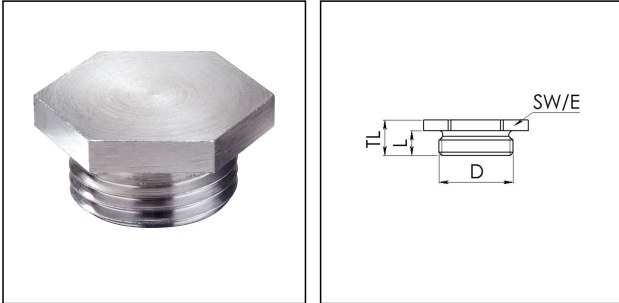


## VSM 32/Cr

Stop end, brass chromed-plated similar to DIN 89284, M32



Products may differ in size, colour and appearance to those shown. If you require further information or customisation, please contact us directly.



<b>Material</b>	Brass
<b>Temp. range min</b>	-150 °C
<b>Temp. range max</b>	250 °C
<b>Protection class</b>	IP54
<b>Thread type</b>	M
<b>Ø Connection thread D</b>	32
<b>Lead</b>	1,5
<b>Length screw-in thread L</b>	10 mm
<b>Key width SW</b>	36 mm
<b>Collar diameter (E)</b>	42 mm
<b>Total length TL</b>	14 mm
<b>Advice</b>	* Similar to DIN 89284
<b>Surface</b>	Chromium-plated
<b>Order no. chrome-plated</b>	50016688
<b>Form</b>	A
<b>Type</b>	VSM 32/Cr
<b>Packing unit</b>	1
<b>ETIM-Classification</b>	EC000032

Remarks:

- with O-ring IP66/68

### Recommended accessories

**ORD-E 32**

**10064701**

Your Contact:

WISKA India Pvt. Ltd.

Mr. Omkar Ashar · Unit No.247/248,Raheja Tesla Industrial District II , Edison Bldg No.-1A,  
Plot No.GEN2/1/C/PART, TTC Industrial Area, MIDC, Juinagar, Navi Mumbai 400705, India

☎ +91-22-4967-1438 · ☎ +91-22-4967-1439 · o.ashar@wiska.in · www.wiska.in

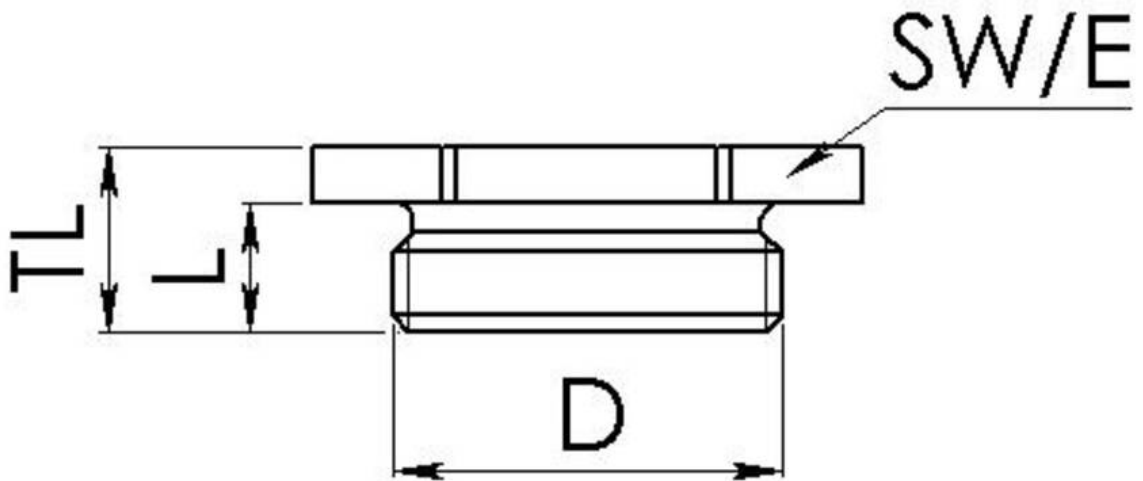
27.06.2026

Your Contact:

**WISKA India Pvt. Ltd.**

Mr. Omkar Ashar · Unit No.247/248,Raheja Tesla Industrial District II , Edison Bldg No.-1A,  
Plot No.GEN2/1/C/PART, TTC Industrial Area, MIDC, Juinagar, Navi Mumbai 400705, India

☎ +91-22-4967-1438 · ☎ +91-22-4967-1439 · o.ashar@wiska.in · www.wiska.in



Your Contact:

**WISKA India Pvt. Ltd.**

Mr. Omkar Ashar · Unit No.247/248,Raheja Tesla Industrial District II , Edison Bldg No.-1A,  
Plot No.GEN2/1/C/PART, TTC Industrial Area, MIDC, Juinagar, Navi Mumbai 400705, India

☎ +91-22-4967-1438 · ☎ +91-22-4967-1439 · o.ashar@wiska.in · www.wiska.in

Other technical data on request / subject to change without notice