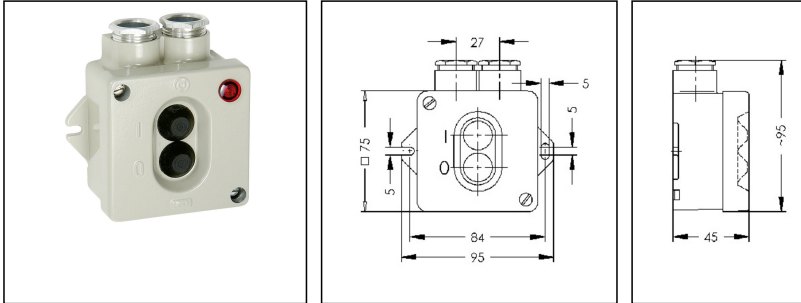



## Rocker switches 7228472 - SE

Rocker switch with signal light, aluminium, RAL 7032, IP67



Products may differ in size, colour and appearance to those shown. If you require further information or customisation, please contact us directly.



<b>WISKA-Order no.</b>	50041220
<b>Type</b>	Rocker switches 7228472 - SE
<b>Voltage</b>	250 V
<b>Current</b>	16 A
<b>Protection class</b>	IP67
<b>Material</b>	Aluminium
<b>Using for cable gland</b>	
<b>Type of cable gland</b>	PG 16
<b>Mounting</b>	Surface mounting
<b>Temp. range min</b>	-30 °C
<b>Temp. range max</b>	90 °C
<b>Type of switch</b>	On-Off, 2-pole
<b>Globe colour</b>	Red
<b>Colour</b>	RAL 7032
<b>Weight</b>	0,26 kg
<b>Equipment</b>	Aluminium pressure screws PG16
<b>Tariff number</b>	85363010

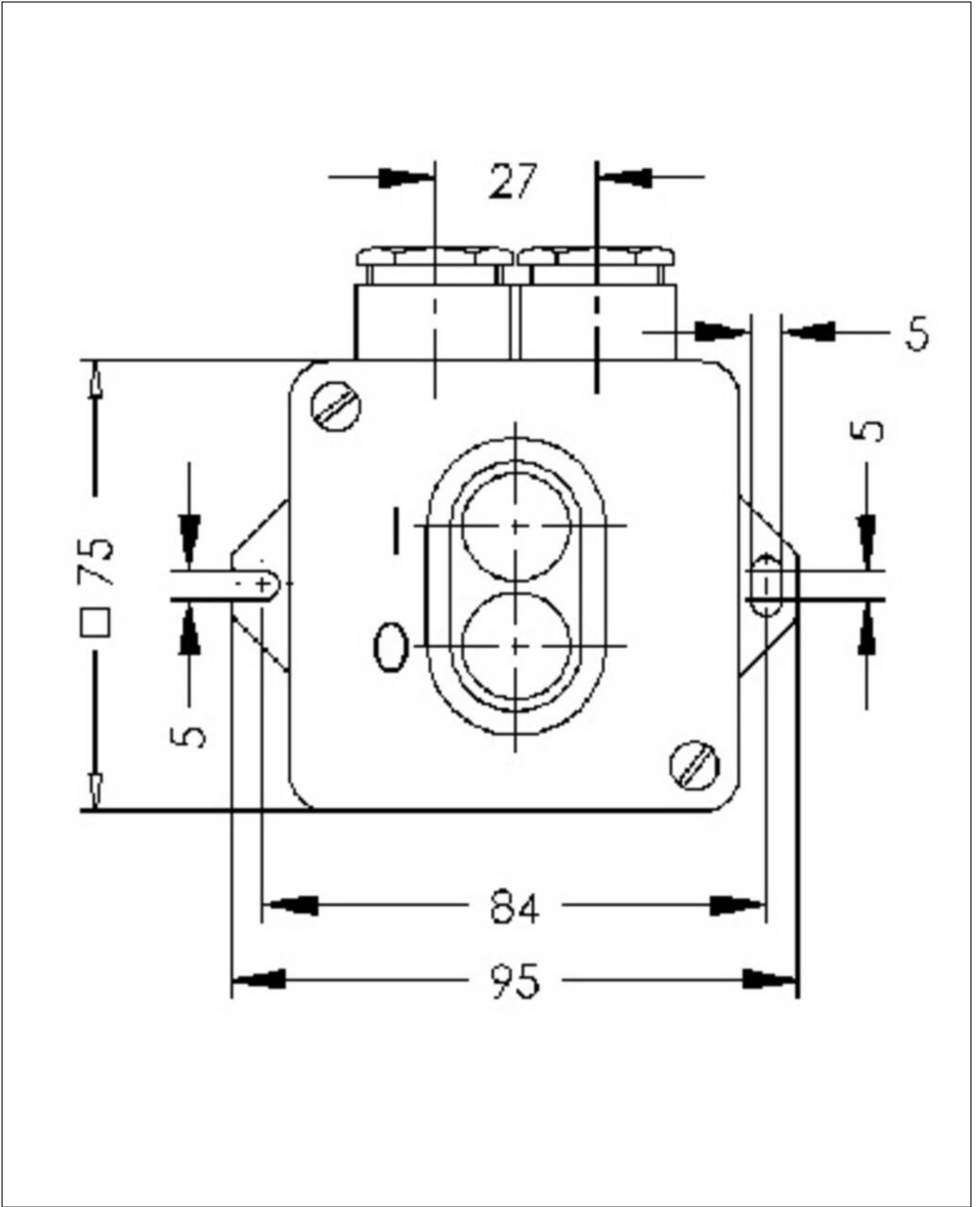
12.05.2026

Your Contact:

**WISKA India Pvt. Ltd.**

Mr. Omkar Ashar · Unit No.247/248,Raheja Tesla Industrial District II , Edison Bldg No.-1A,  
Plot No.GEN2/1/C/PART, TTC Industrial Area, MIDC, Juinagar, Navi Mumbai 400705, India

☎ +91-22-4967-1438 · ☎ +91-22-4967-1439 · o.ashar@wiska.in · www.wiska.in

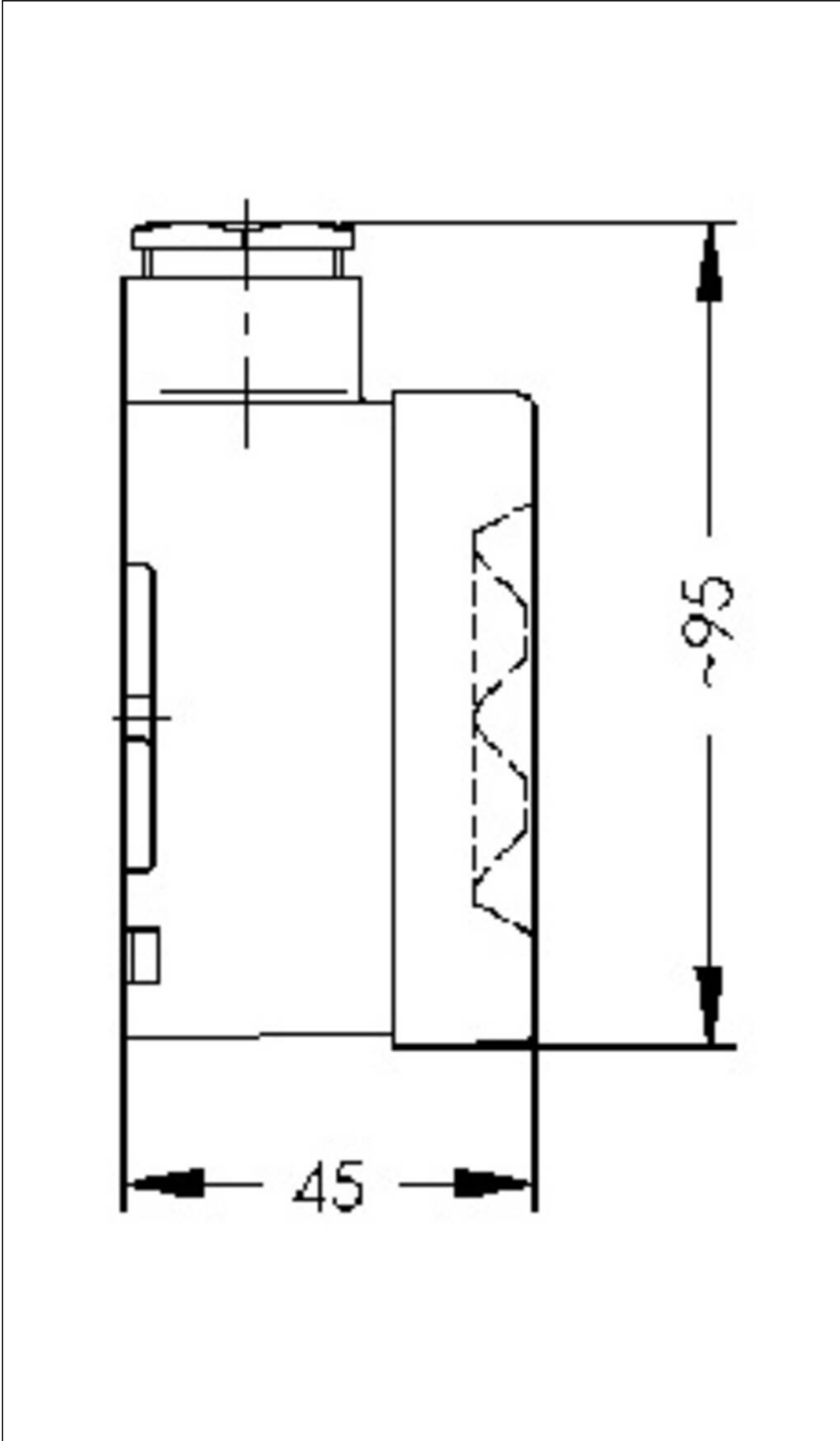


Your Contact:

**WISKA India Pvt. Ltd.**

Mr. Omkar Ashar · Unit No.247/248, Raheja Tesla Industrial District II , Edison Bldg No.-1A,  
Plot No.GEN2/1/C/PART, TTC Industrial Area, MIDC, Juinagar, Navi Mumbai 400705, India

☎ +91-22-4967-1438 · ☎ +91-22-4967-1439 · o.ashar@wiska.in · www.wiska.in



Your Contact:

**WISKA India Pvt. Ltd.**

Mr. Omkar Ashar · Unit No.247/248,Raheja Tesla Industrial District II , Edison Bldg No.-1A,  
Plot No.GEN2/1/C/PART, TTC Industrial Area, MIDC, Juinagar, Navi Mumbai 400705, India

☎ +91-22-4967-1438 · ☎ +91-22-4967-1439 · o.ashar@wiska.in · www.wiska.in