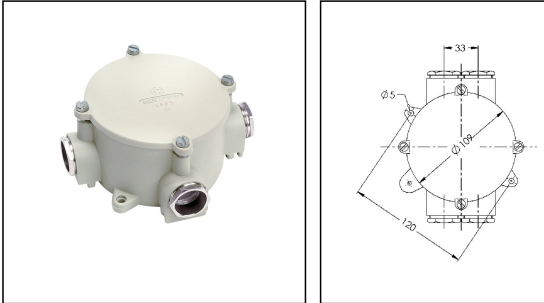


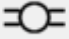
## Junction box 7219450 - SE

Junction box Ø 109mm, aluminium, RAL 7032, with terminal block



Products may differ in size, colour and appearance to those shown. If you require further information or customisation, please contact us directly.



<b>WISKA-Order no.</b>	50045029
<b>Type</b>	Junction box 7219450 - SE
<b>Voltage</b>	690 V
<b>Current</b>	0 A
<b>Protection class</b>	IP67
<b>Material</b>	Cast aluminium
<b>Type of cable gland</b>	PG21 / 18-20mm
<b>Using for cable gland</b>	
<b>Ø cable diameter min</b>	18 mm
<b>Ø cable diameter max</b>	20 mm
<b>Internal dimensions LxWxH</b>	Ø 100mm
<b>External dimensions LxWxH</b>	154x120x69mm
<b>Mounting</b>	Surface mounting
<b>Temp. range min</b>	-25 °C
<b>Temp. range max</b>	45 °C
<b>Rated cross section</b>	6 mm <sup>2</sup>
<b>Terminals/poles</b>	5-poles
<b>Operational areas</b>	Outdoor, Indoor work space, Engine room
<b>Colour</b>	RAL 7032
<b>Weight</b>	0,6 kg
<b>Variations</b>	on request
<b>Tariff number</b>	85369010

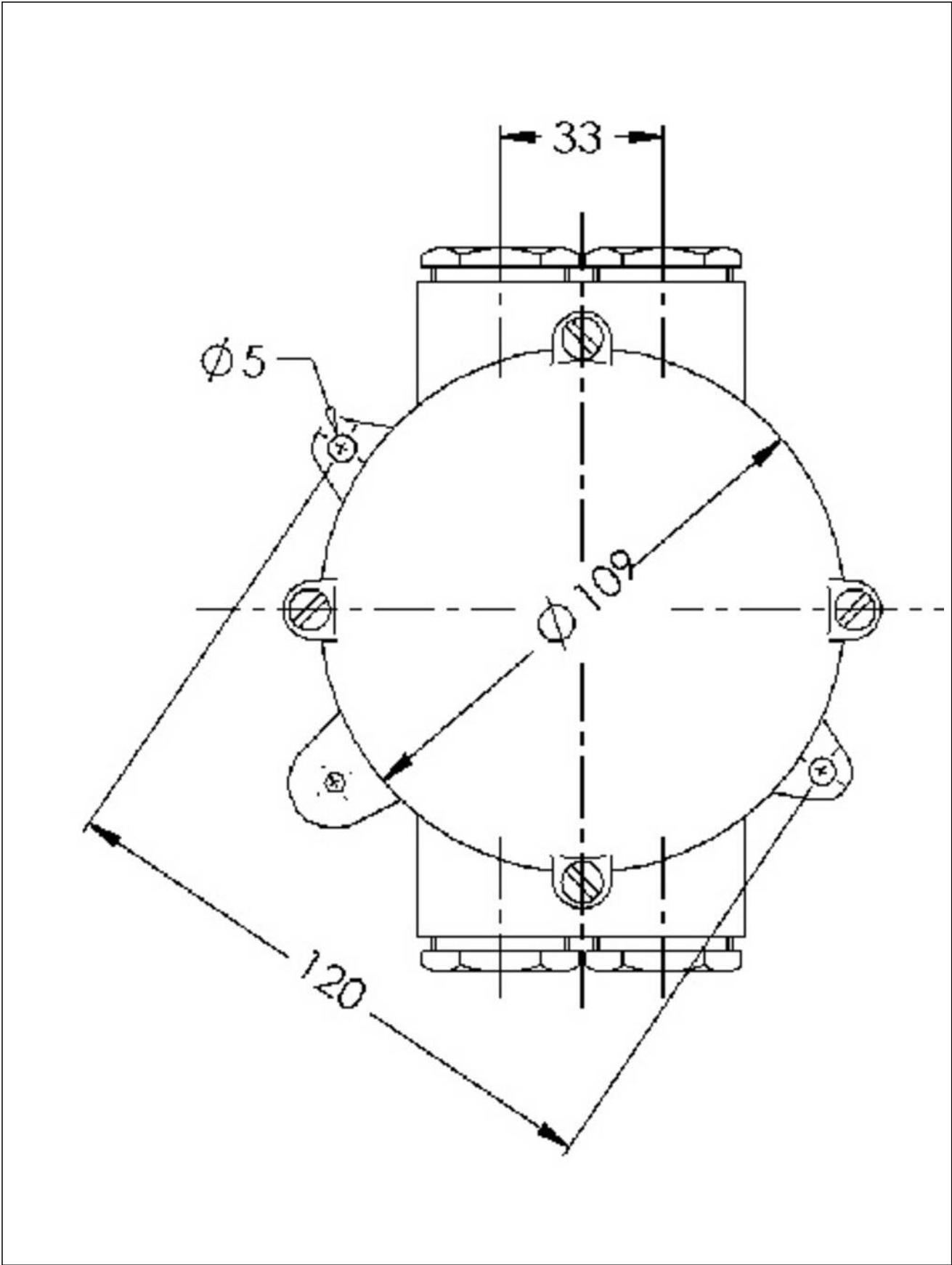
12.05.2026

Your Contact:

**WISKA India Pvt. Ltd.**

Mr. Omkar Ashar · Unit No.247/248,Raheja Tesla Industrial District II , Edison Bldg No.-1A,  
Plot No.GEN2/1/C/PART, TTC Industrial Area, MIDC, Juinagar, Navi Mumbai 400705, India

☎ +91-22-4967-1438 · ☎ +91-22-4967-1439 · o.ashar@wiska.in · www.wiska.in



Your Contact:

**WISKA India Pvt. Ltd.**

Mr. Omkar Ashar · Unit No.247/248,Raheja Tesla Industrial District II , Edison Bldg No.-1A,  
Plot No.GEN2/1/C/PART, TTC Industrial Area, MIDC, Juinagar, Navi Mumbai 400705, India

☎ +91-22-4967-1438 · ☎ +91-22-4967-1439 · o.ashar@wiska.in · www.wiska.in

Other technical data on request / subject to change without notice