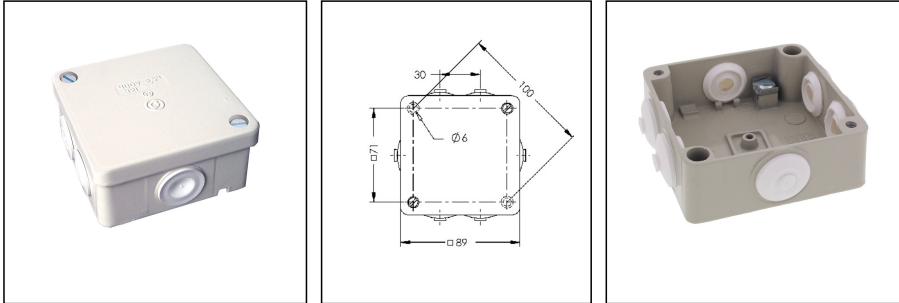



Junction box w. membrane seal 7219471-SE

Junction box 89x89x43mm, aluminium, RAL 7032



Products may differ in size, colour and appearance to those shown. If you require further information or customisation, please contact us directly.



WISKA-Order no.	50045101
Type	Junction box w. membrane seal 7219471-SE
Voltage	400 V
Protection class	IP44
Material	Cast aluminium
Using for cable gland	
Type of cable gland	QUIXX M20 / 1-13mm
External dimensions LxWxH	89x89x43 mm
Mounting	Surface mounting
Temp. range min	-25 °C
Temp. range max	45 °C
Terminals/poles	None
Operational areas	Engine room, Outdoor, Indoor work space
Colour	RAL 7032
Weight	0,26 kg
Variations	on request
Tariff number	85369010

Equipment:

6 pcs. WISKA QUIXX M 20, self-sealing membrane spouts for cable Ø 1-13mm

Spare parts

SP-MK 5 Terminal block 5-pole	22000388
--------------------------------------	----------

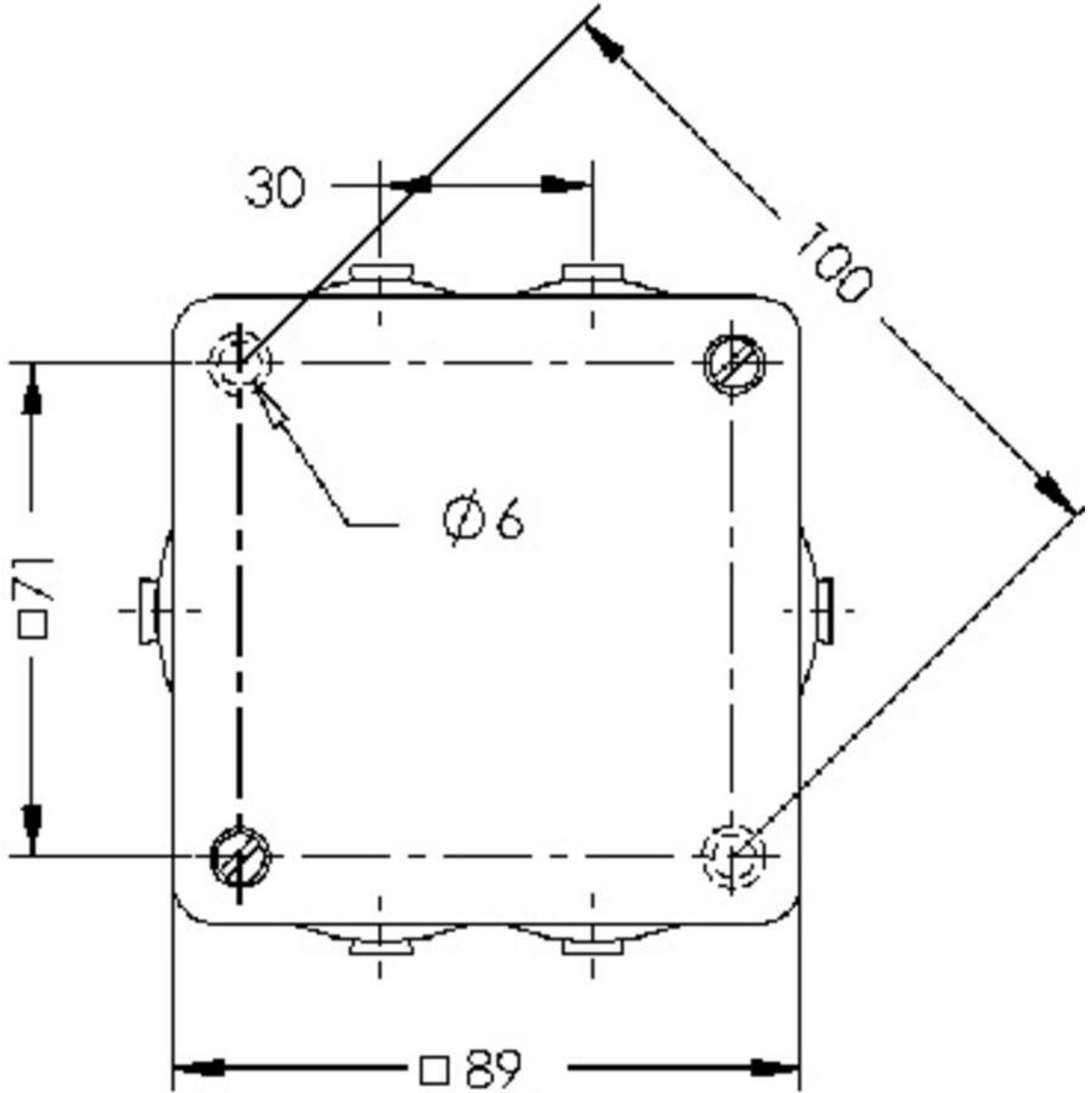
12.05.2026

Your Contact:

WISKA India Pvt. Ltd.

Mr. Omkar Ashar · Unit No.247/248,Raheja Tesla Industrial District II , Edison Bldg No.-1A,
Plot No.GEN2/1/C/PART, TTC Industrial Area, MIDC, Juinagar, Navi Mumbai 400705, India

☎ +91-22-4967-1438 · ☎ +91-22-4967-1439 · o.ashar@wiska.in · www.wiska.in



Your Contact:

WISKA India Pvt. Ltd.

Mr. Omkar Ashar · Unit No.247/248, Raheja Tesla Industrial District II, Edison Bldg No.-1A,
Plot No.GEN2/1/C/PART, TTC Industrial Area, MIDC, Juinagar, Navi Mumbai 400705, India

☎ +91-22-4967-1438 · ☎ +91-22-4967-1439 · o.ashar@wiska.in · www.wiska.in