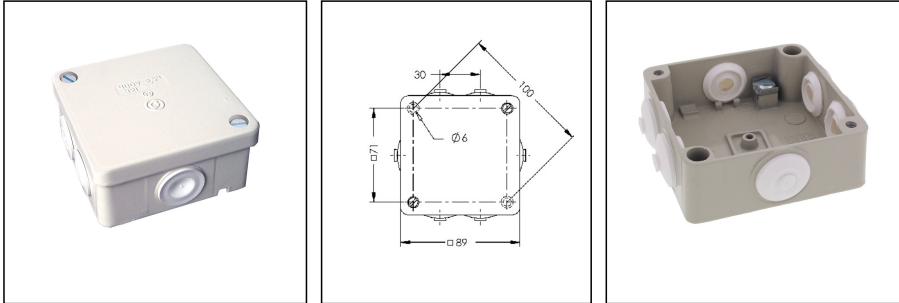



Junction box w. membrane seal 7219472-SE

Junction box 89x89x43mm, aluminium, RAL 7032, with terminal block



Products may differ in size, colour and appearance to those shown. If you require further information or customisation, please contact us directly.



| | |
|----------------------------------|---|
| WISKA-Order no. | 50045102 |
| Type | Junction box w. membrane seal 7219472-SE |
| Voltage | 400 V |
| Current | 16 A |
| Protection class | IP44 |
| Material | Cast aluminium |
| Using for cable gland |  |
| Type of cable gland | QUIXX M20 / 1-13mm |
| External dimensions LxWxH | 89x89x43 mm |
| Mounting | Surface mounting |
| Temp. range min | -25 °C |
| Temp. range max | 45 °C |
| Terminals/poles | 5-pole, 2,5mm ² |
| Operational areas | Outdoor, Indoor work space, Engine room |
| Colour | RAL 7032 |
| Weight | 0,32 kg |
| Variations | on request |
| Tariff number | 85369010 |

Equipment:

6 pcs. WISKA QUIXX M 20, self-sealing membrane spouts for cable Ø 1-13mm

Spare parts

| | |
|--------------------------------------|----------|
| SP-MK 5 Terminal block 5-pole | 22000388 |
|--------------------------------------|----------|

Your Contact:

WISKA India Pvt. Ltd.

Mr. Omkar Ashar · Unit No.247/248,Raheja Tesla Industrial District II , Edison Bldg No.-1A,
Plot No.GEN2/1/C/PART, TTC Industrial Area, MIDC, Juinagar, Navi Mumbai 400705, India



☎ +91-22-4967-1438 · ☎ +91-22-4967-1439 · o.ashar@wiska.in · www.wiska.in

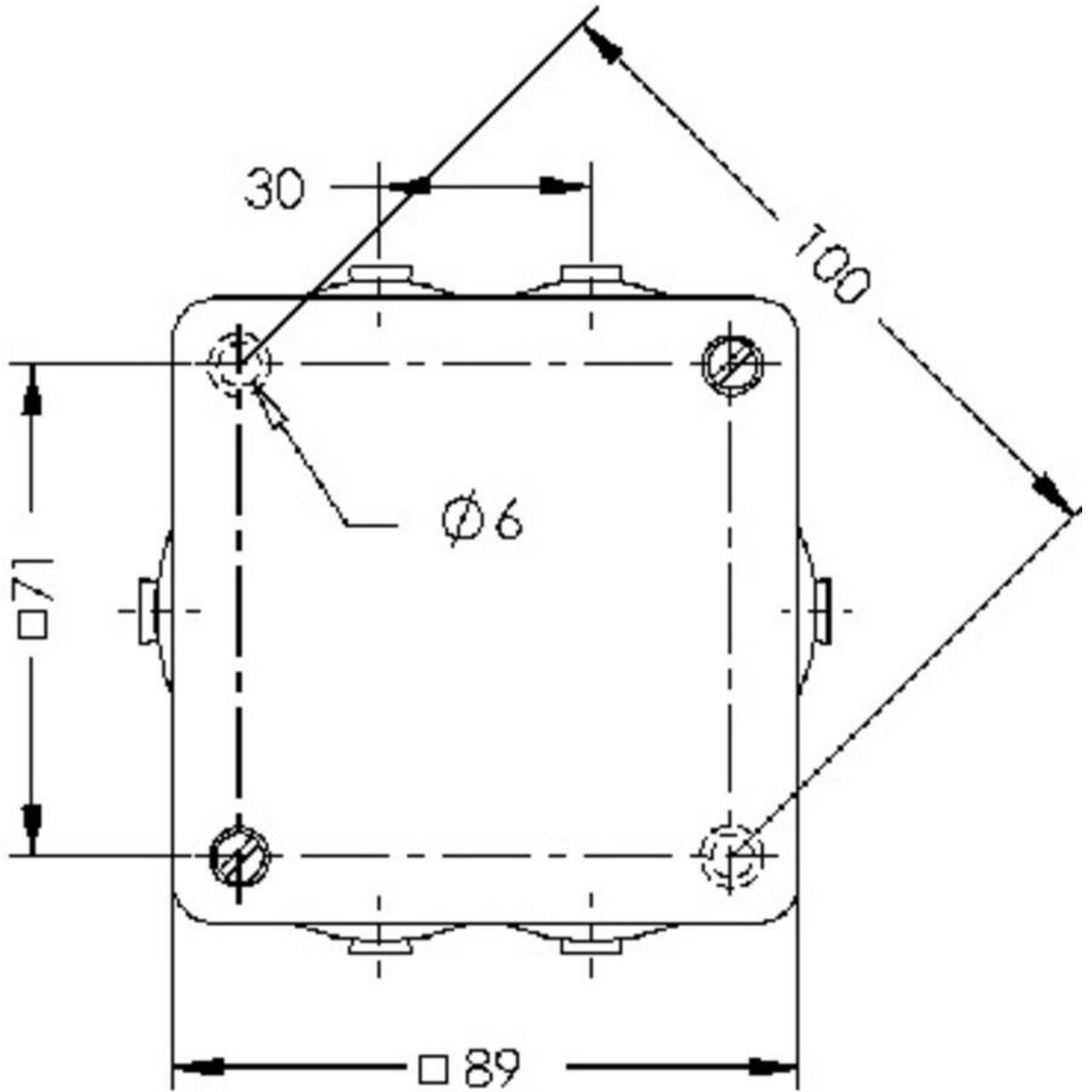
12.05.2026

Your Contact:

WISKA India Pvt. Ltd.

Mr. Omkar Ashar · Unit No.247/248,Raheja Tesla Industrial District II , Edison Bldg No.-1A,
Plot No.GEN2/1/C/PART, TTC Industrial Area, MIDC, Juinagar, Navi Mumbai 400705, India

 +91-22-4967-1438 ·  +91-22-4967-1439 · o.ashar@wiska.in · www.wiska.in



Your Contact:

WISKA India Pvt. Ltd.

Mr. Omkar Ashar · Unit No.247/248, Raheja Tesla Industrial District II, Edison Bldg No.-1A,
Plot No.GEN2/1/C/PART, TTC Industrial Area, MIDC, Juinagar, Navi Mumbai 400705, India

☎ +91-22-4967-1438 · ☎ +91-22-4967-1439 · o.ashar@wiska.in · www.wiska.in