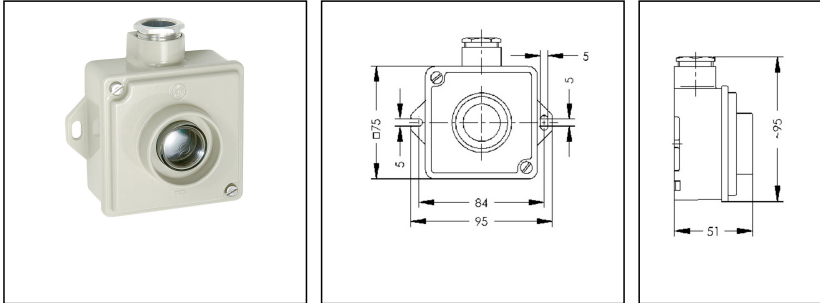



## Push button with lamp 7228401 - SE

Rocker switch with light, aluminium, RAL 7032, IP67



Products may differ in size, colour and appearance to those shown. If you require further information or customisation, please contact us directly.



<b>WISKA-Order no.</b>	50045381
<b>Type</b>	Push button with lamp 7228401 - SE
<b>Voltage</b>	250 V
<b>Current</b>	1 A
<b>Protection class</b>	IP67
<b>Material</b>	Aluminium
<b>Using for cable gland</b>	
<b>Mounting</b>	Surface mounting
<b>Temp. range min</b>	-30 °C
<b>Temp. range max</b>	90 °C
<b>Type of switch</b>	Push button, 2xNO
<b>Lampholder</b>	E10
<b>Globe colour</b>	Clear
<b>Colour</b>	RAL 7032
<b>Weight</b>	0,21 kg
<b>Equipment</b>	Aluminium pressure screws PG16
<b>Tariff number</b>	85363010

Remarks:

Colour of lens: clear

Lampholder: E10 (bulb not included)

Push button insert: On-Off, 1-pole

1 cable entry PG16 upstairs

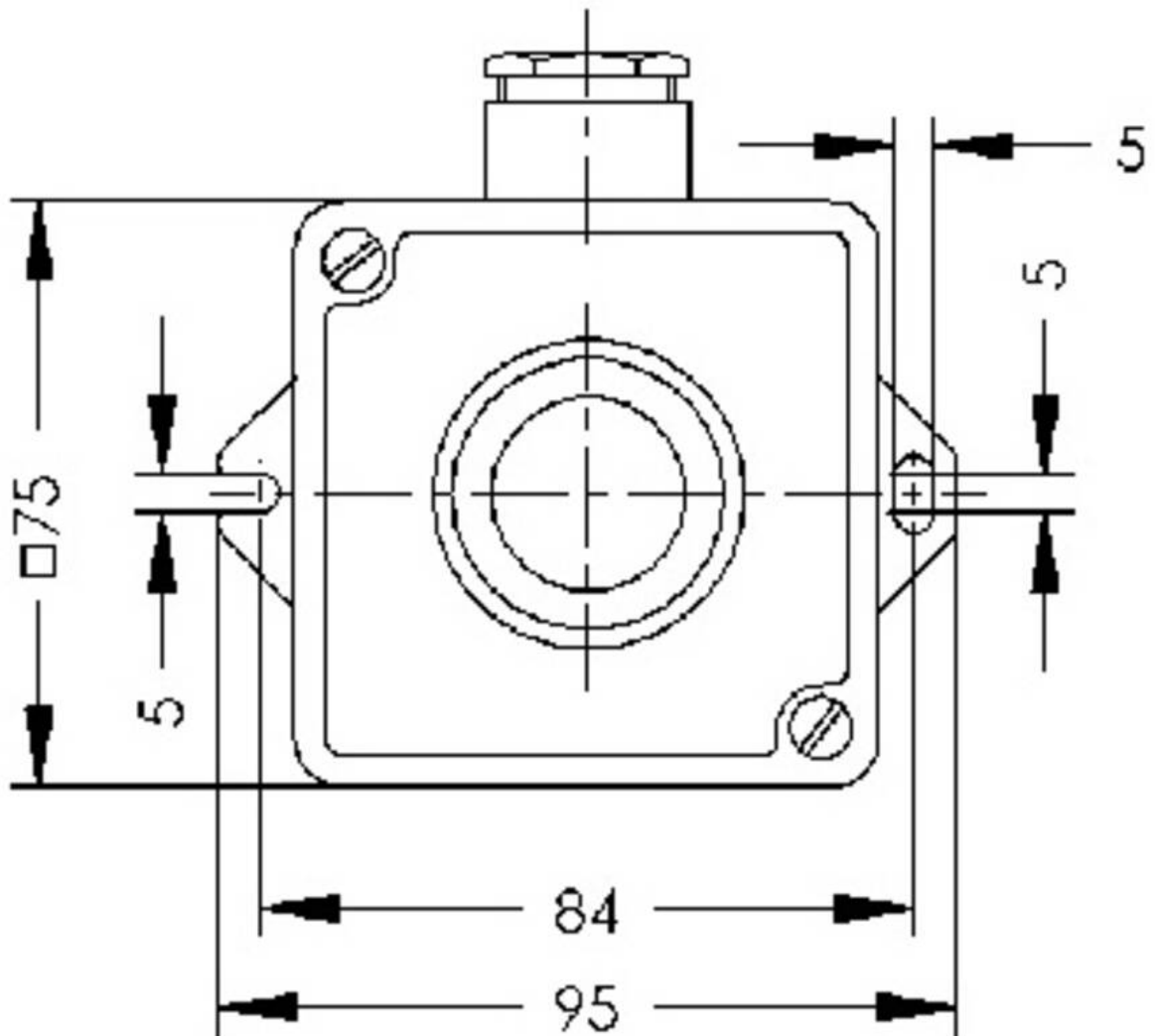
12.05.2026

Your Contact:

**WISKA India Pvt. Ltd.**

Mr. Omkar Ashar · Unit No.247/248,Raheja Tesla Industrial District II , Edison Bldg No.-1A,  
Plot No.GEN2/1/C/PART, TTC Industrial Area, MIDC, Juinagar, Navi Mumbai 400705, India

☎ +91-22-4967-1438 · ☎ +91-22-4967-1439 · o.ashar@wiska.in · www.wiska.in

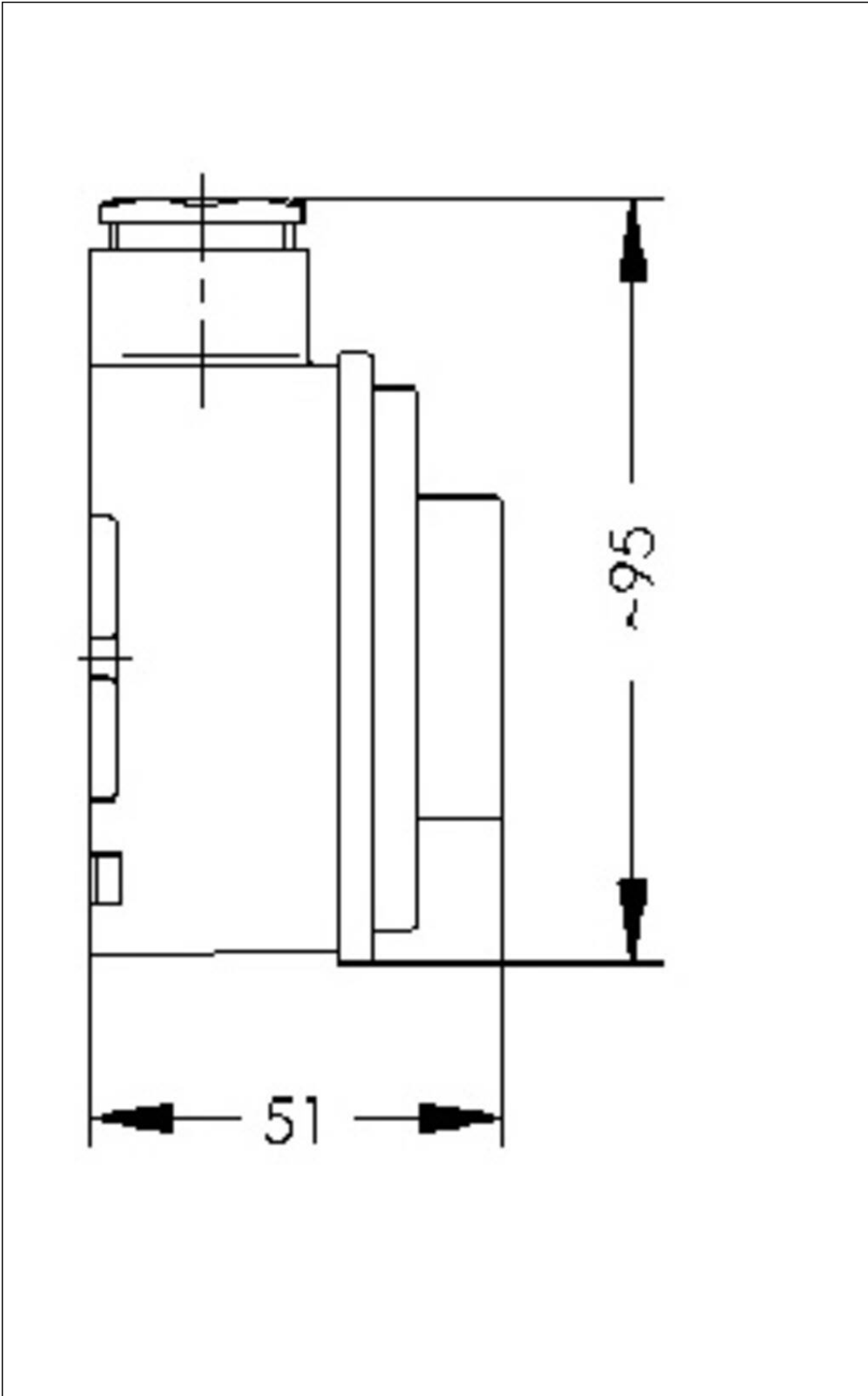


Your Contact:

**WISKA India Pvt. Ltd.**

Mr. Omkar Ashar · Unit No.247/248,Raheja Tesla Industrial District II , Edison Bldg No.-1A,  
Plot No.GEN2/1/C/PART, TTC Industrial Area, MIDC, Juinagar, Navi Mumbai 400705, India

☎ +91-22-4967-1438 · ☎ +91-22-4967-1439 · o.ashar@wiska.in · www.wiska.in



Your Contact:

**WISKA India Pvt. Ltd.**

Mr. Omkar Ashar · Unit No.247/248,Raheja Tesla Industrial District II , Edison Bldg No.-1A,  
Plot No.GEN2/1/C/PART, TTC Industrial Area, MIDC, Juinagar, Navi Mumbai 400705, India

☎ +91-22-4967-1438 · ☎ +91-22-4967-1439 · o.ashar@wiska.in · www.wiska.in