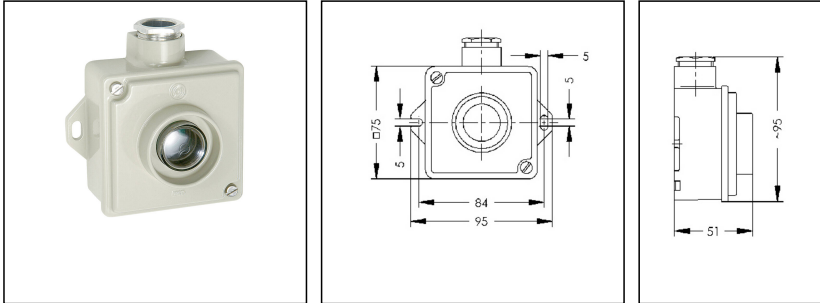



Push button with lamp 7228409 - SE

Rocker switch with light, aluminium, RAL 7032, IP67



Products may differ in size, colour and appearance to those shown. If you require further information or customisation, please contact us directly.



WISKA-Order no.	50045399
Type	Push button with lamp 7228409 - SE
Voltage	250 V
Current	1 A
Protection class	IP67
Material	Aluminium
Using for cable gland	
Mounting	Surface mounting
Temp. range min	-30 °C
Temp. range max	90 °C
Type of switch	Push button, 2xNO
Lampholder	E10
Globe colour	Clear
Colour	RAL 7032
Weight	0,23 kg
Equipment	Aluminium pressure screws PG16
Tariff number	85363010

Remarks:

Colour of lens: clear

Lampholder: E10 (bulb not included)

Switch insert: On-Off, 1-pole

2 cable entries PG16 upstairs

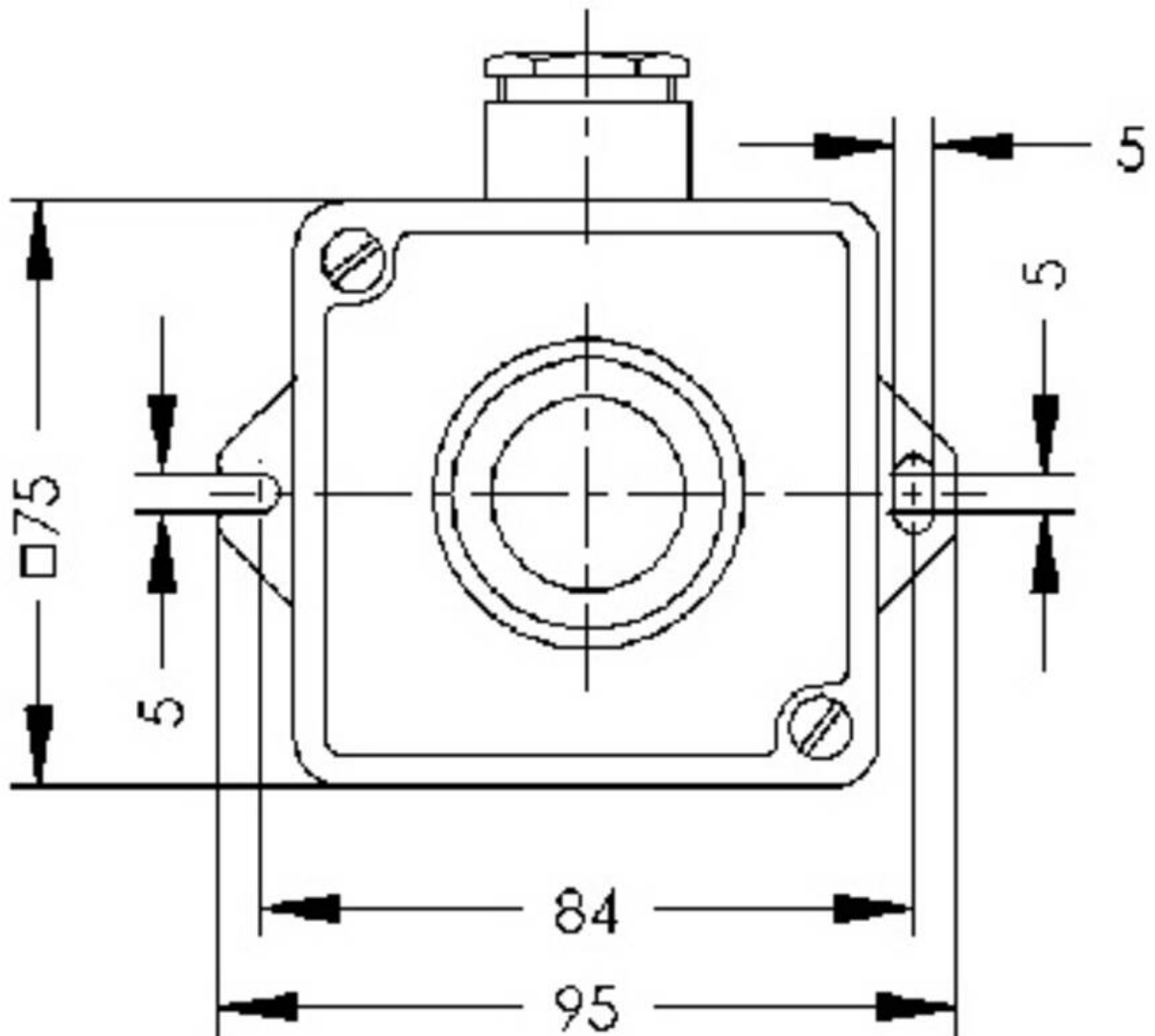
12.05.2026

Your Contact:

WISKA India Pvt. Ltd.

Mr. Omkar Ashar · Unit No.247/248,Raheja Tesla Industrial District II , Edison Bldg No.-1A,
Plot No.GEN2/1/C/PART, TTC Industrial Area, MIDC, Juinagar, Navi Mumbai 400705, India

☎ +91-22-4967-1438 · ☎ +91-22-4967-1439 · o.ashar@wiska.in · www.wiska.in

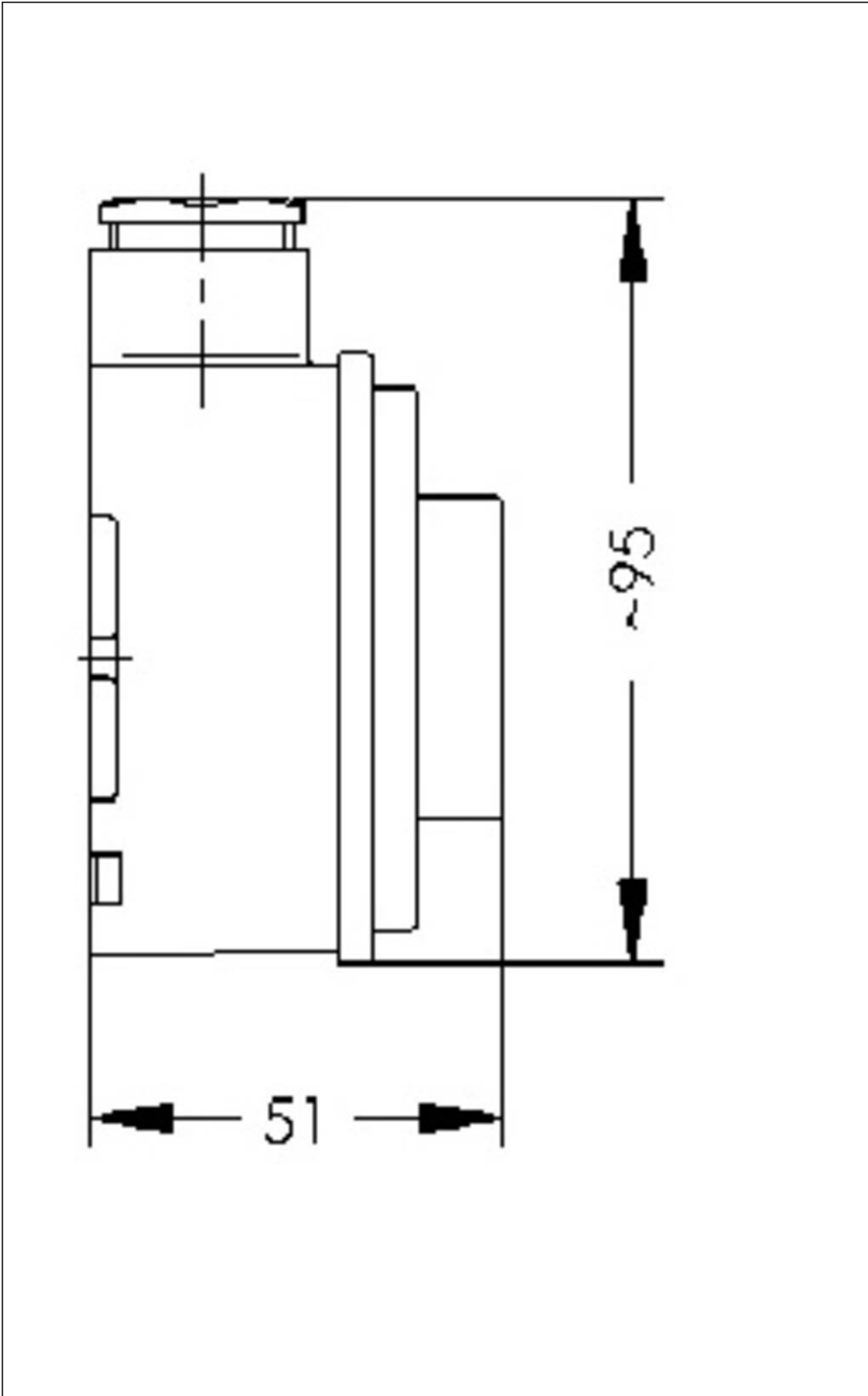


Your Contact:

WISKA India Pvt. Ltd.

Mr. Omkar Ashar · Unit No.247/248,Raheja Tesla Industrial District II , Edison Bldg No.-1A,
Plot No.GEN2/1/C/PART, TTC Industrial Area, MIDC, Juinagar, Navi Mumbai 400705, India

☎ +91-22-4967-1438 · ☎ +91-22-4967-1439 · o.ashar@wiska.in · www.wiska.in



Your Contact:

WISKA India Pvt. Ltd.

Mr. Omkar Ashar · Unit No.247/248,Raheja Tesla Industrial District II , Edison Bldg No.-1A,
Plot No.GEN2/1/C/PART, TTC Industrial Area, MIDC, Juinagar, Navi Mumbai 400705, India

☎ +91-22-4967-1438 · ☎ +91-22-4967-1439 · o.ashar@wiska.in · www.wiska.in