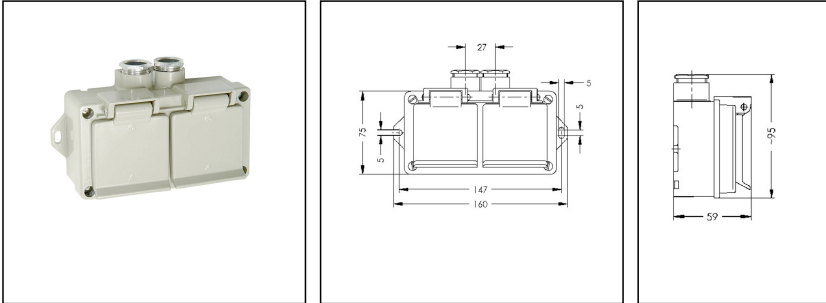


## Schuko double socket 7229421 - SE

Schuko double socket 16A 250V, aluminium, RAL 7032, IP44



Products may differ in size, colour and appearance to those shown. If you require further information or customisation, please contact us directly.



<b>WISKA-Order no.</b>	50045471
<b>Type</b>	Schuko double socket 7229421 - SE
<b>Voltage</b>	250 V
<b>Current</b>	16 A
<b>Protection class</b>	IP44
<b>Material</b>	Cast aluminium
<b>Using for cable gland</b>	
<b>Type of cable gland</b>	PG16 / 12-14mm
<b>External dimensions LxWxH</b>	160x75x59mm
<b>Socket insert</b>	SCHUKO
<b>Terminals/poles</b>	2-pole + E
<b>Weight</b>	0,5 kg
<b>Colour</b>	RAL 7032
<b>Mounting</b>	Surface mounting
<b>Variations</b>	on request
<b>Tariff number</b>	85366990

Equipment:

- Aluminium pressure screws
- Hinged flip cover
- Stainless steel spring

### Spare parts

<b>P924000 Schuko socket insert - SE</b>	50046012
------------------------------------------	----------

Your Contact:

**WISKA India Pvt. Ltd.**

Mr. Omkar Ashar · Unit No.247/248,Raheja Tesla Industrial District II , Edison Bldg No.-1A,  
Plot No.GEN2/1/C/PART, TTC Industrial Area, MIDC, Juinagar, Navi Mumbai 400705, India

☎ +91-22-4967-1438 · ☎ +91-22-4967-1439 · o.ashar@wiska.in · www.wiska.in

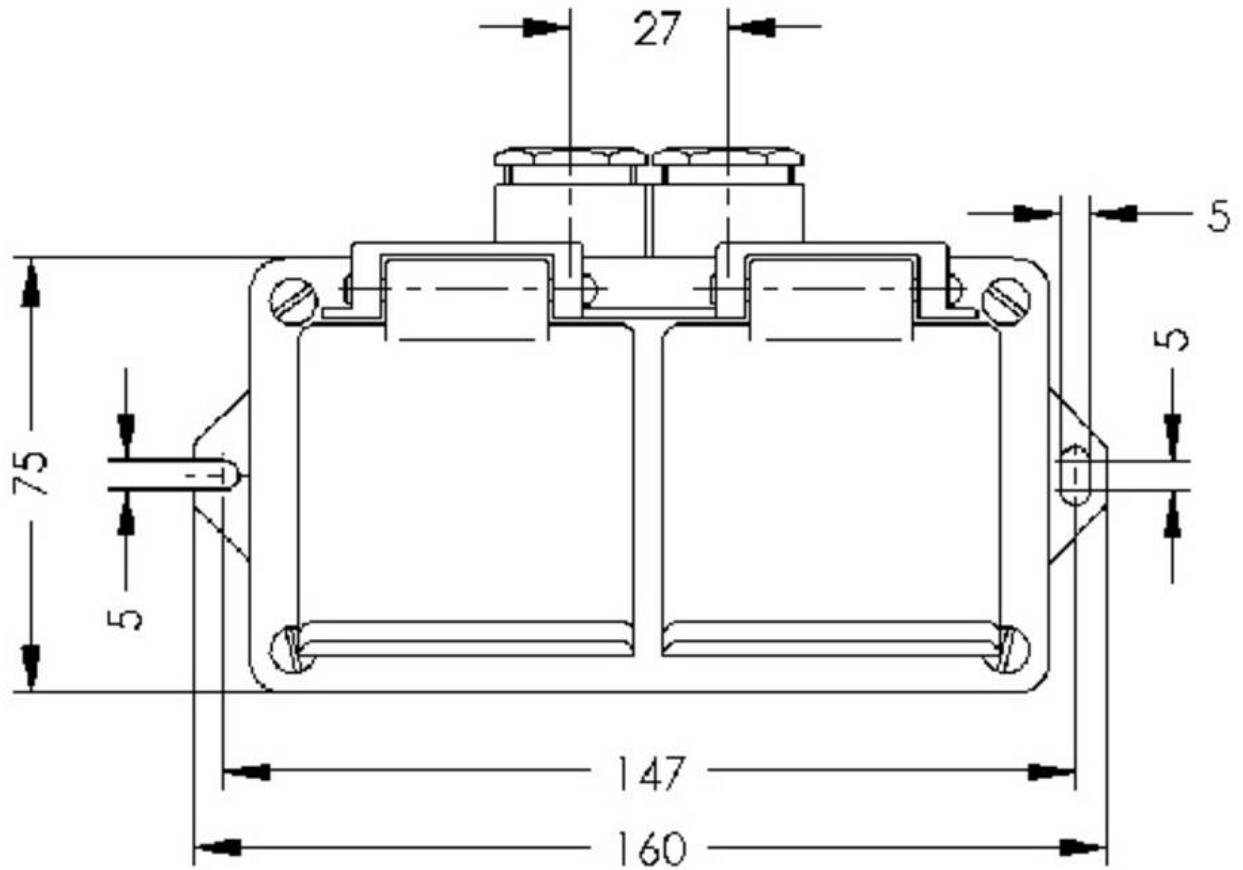
07.07.2026

Your Contact:

**WISKA India Pvt. Ltd.**

Mr. Omkar Ashar · Unit No.247/248,Raheja Tesla Industrial District II , Edison Bldg No.-1A,  
Plot No.GEN2/1/C/PART, TTC Industrial Area, MIDC, Juinagar, Navi Mumbai 400705, India

☎ +91-22-4967-1438 · ☎ +91-22-4967-1439 · o.ashar@wiska.in · www.wiska.in



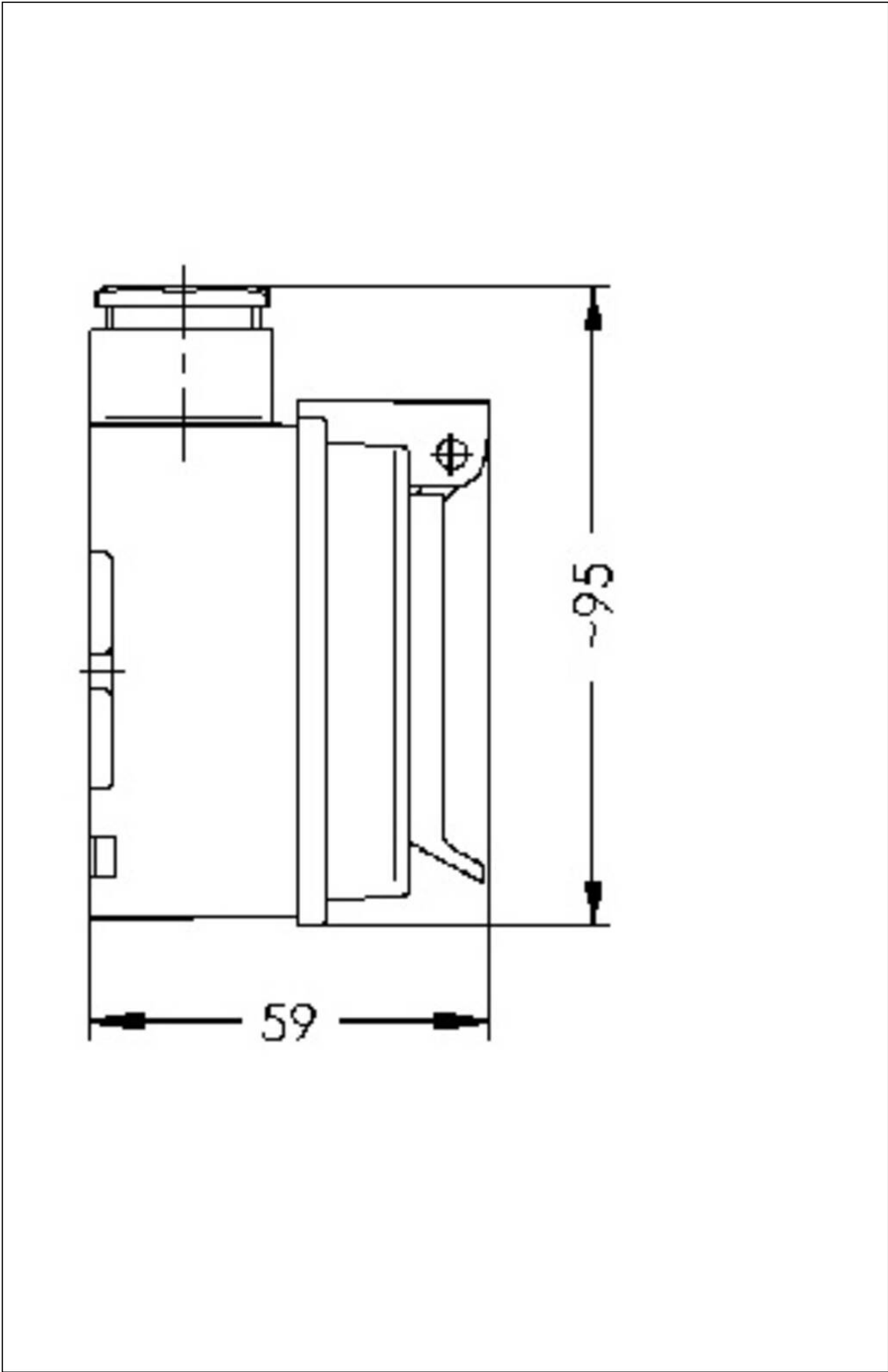
Your Contact:

**WISKA India Pvt. Ltd.**

Mr. Omkar Ashar · Unit No.247/248, Raheja Tesla Industrial District II, Edison Bldg No.-1A,  
Plot No.GEN2/1/C/PART, TTC Industrial Area, MIDC, Juinagar, Navi Mumbai 400705, India

☎ +91-22-4967-1438 · ☎ +91-22-4967-1439 · o.ashar@wiska.in · www.wiska.in

Other technical data on request / subject to change without notice



Your Contact:

**WISKA India Pvt. Ltd.**

Mr. Omkar Ashar · Unit No.247/248,Raheja Tesla Industrial District II , Edison Bldg No.-1A,  
Plot No.GEN2/1/C/PART, TTC Industrial Area, MIDC, Juinagar, Navi Mumbai 400705, India

☎ +91-22-4967-1438 · ☎ +91-22-4967-1439 · o.ashar@wiska.in · www.wiska.in