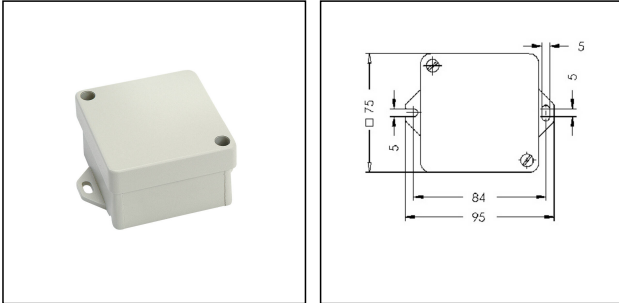


Small Enclosure 3001 - SE

Small Enclosure 72x72x47mm, aluminium, RAL 7032



Products may differ in size, colour and appearance to those shown. If you require further information or customisation, please contact us directly.



WISKA-Order no.	50045510
Type	Small Enclosure 3001 - SE
Protection class	IP67
Material	Cast aluminium
External dimensions LxWxH	75x75x47 mm
Mounting	Surface mounting
Temp. range min	-25 °C
Temp. range max	45 °C
Terminals/poles	None
Operational areas	Indoor work space, Engine room
Colour	RAL 7032
Weight	0,2 kg
Equipment	Empty and undrilled
Variations	on request
Tariff number	85366990

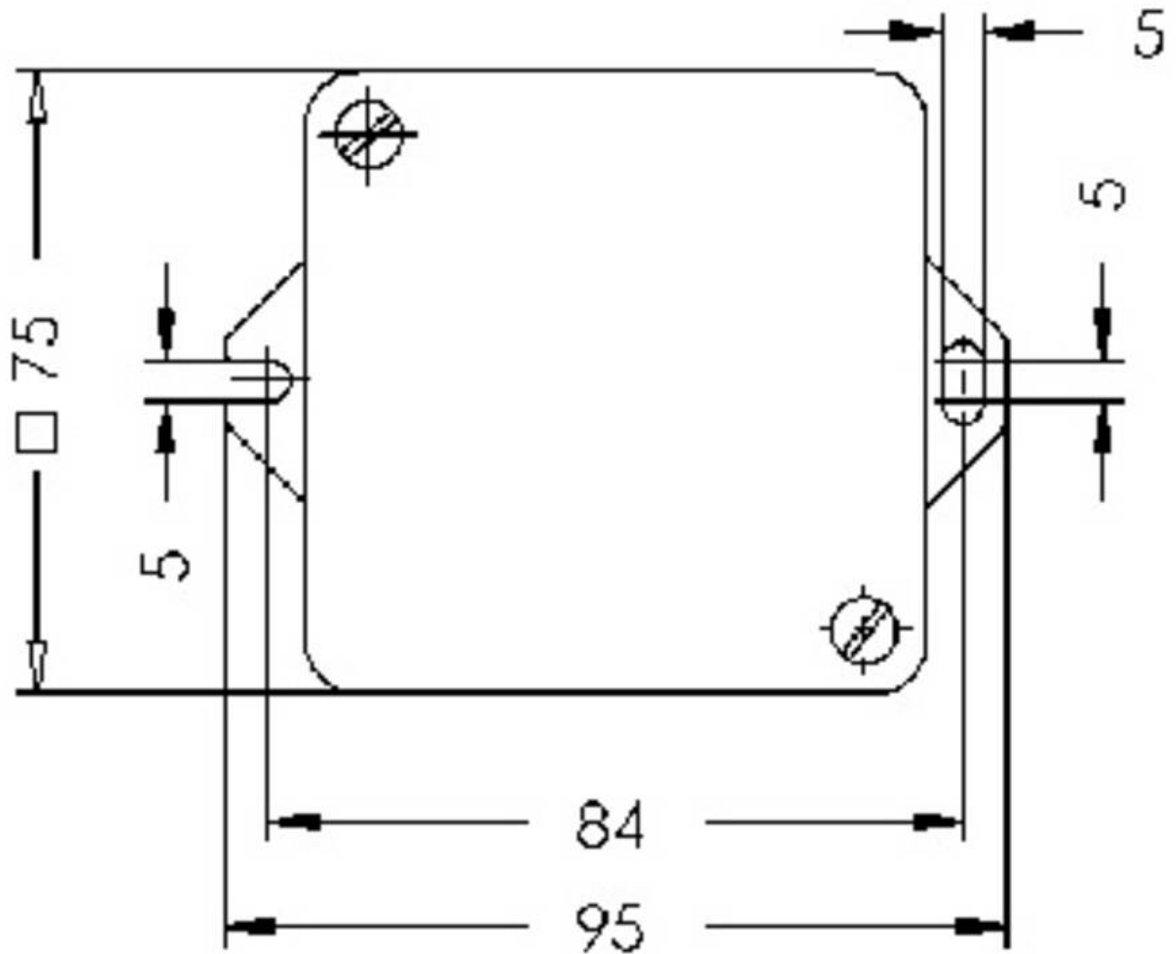
12.05.2026

Your Contact:

WISKA India Pvt. Ltd.

Mr. Omkar Ashar · Unit No.247/248,Raheja Tesla Industrial District II , Edison Bldg No.-1A,
Plot No.GEN2/1/C/PART, TTC Industrial Area, MIDC, Juinagar, Navi Mumbai 400705, India

☎ +91-22-4967-1438 · ☎ +91-22-4967-1439 · o.ashar@wiska.in · www.wiska.in



Your Contact:

WISKA India Pvt. Ltd.

Mr. Omkar Ashar · Unit No.247/248, Raheja Tesla Industrial District II , Edison Bldg No.-1A,
Plot No.GEN2/1/C/PART, TTC Industrial Area, MIDC, Juinagar, Navi Mumbai 400705, India

☎ +91-22-4967-1438 · ☎ +91-22-4967-1439 · o.ashar@wiska.in · www.wiska.in