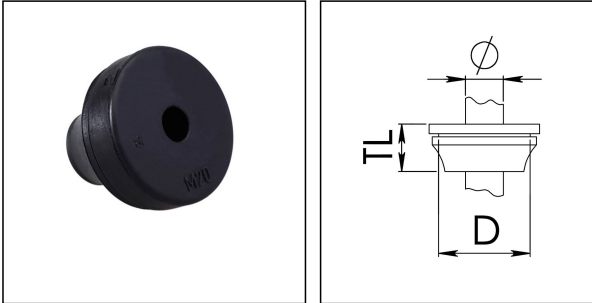


FD 20 BK

FLIP cable grommet, EPDM, RAL 9005, M20 + Pg13,5



Products may differ in size, colour and appearance to those shown. If you require further information or customisation, please contact us directly.



Material	EPDM
Temp. range min	-40 °C
Temp. range max	110 °C
Protection class	IP66 / IP67
Thread type	M
Ø Connection thread D	20
Ø cable diameter min	8 mm
Ø cable diameter max	13 mm
Total length TL	20 mm
Ø Drilling	20 mm - 21 mm
Wall thickness S	1 mm - 4 mm
Product Color	RAL 9005
Order no. RAL 9005	50062893
Type	FD 20 BK
Packing unit	50
EAN number	4007685628938
Tariff number	40169300
ETIM-Classification	EC000451

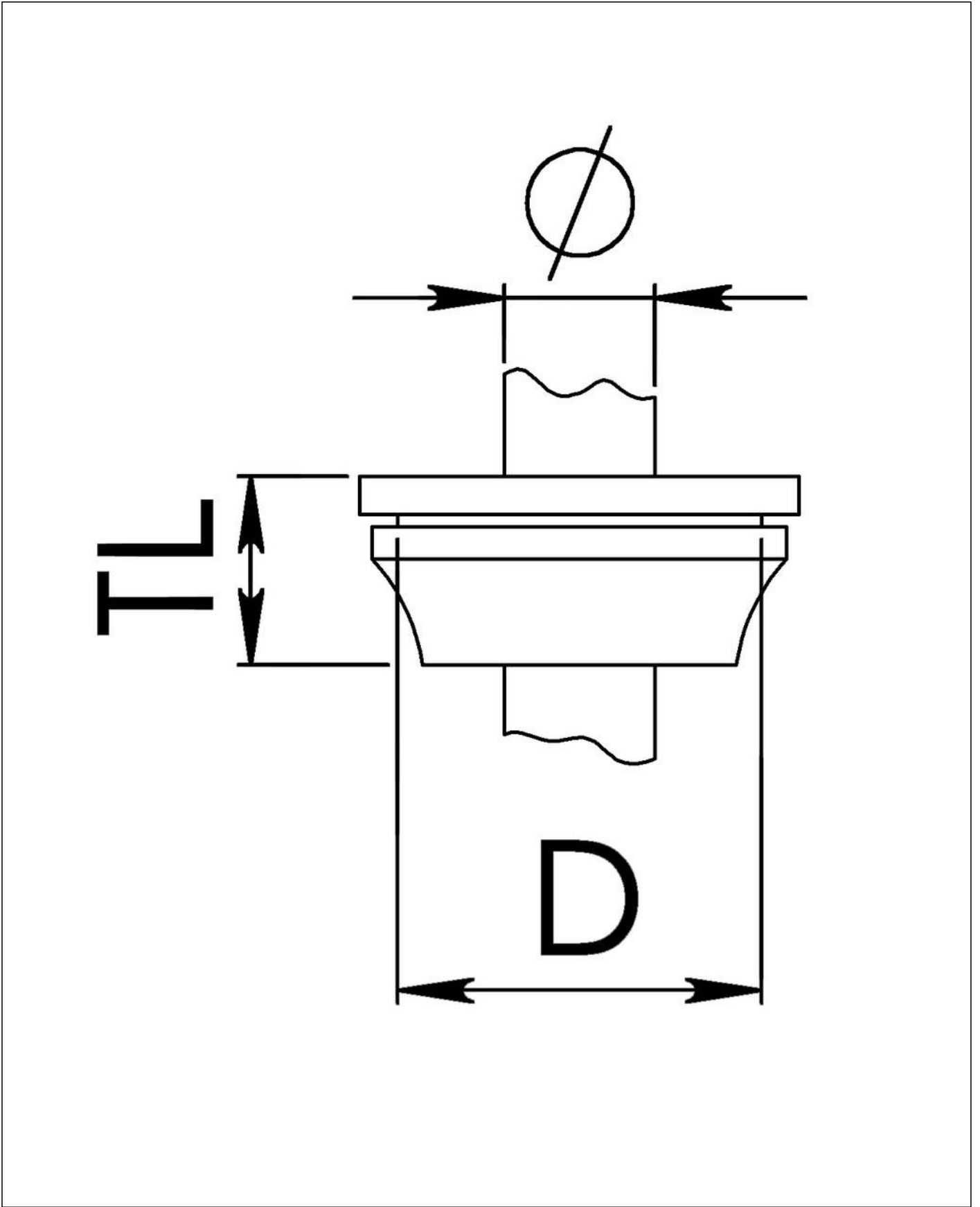
27.06.2026

Your Contact:

WISKA India Pvt. Ltd.

Mr. Omkar Ashar · Unit No.247/248,Raheja Tesla Industrial District II , Edison Bldg No.-1A,
Plot No.GEN2/1/C/PART, TTC Industrial Area, MIDC, Juinagar, Navi Mumbai 400705, India

☎ +91-22-4967-1438 · ☎ +91-22-4967-1439 · o.ashar@wiska.in · www.wiska.in



Your Contact:
WISKA India Pvt. Ltd.
Mr. Omkar Ashar · Unit No.247/248,Raheja Tesla Industrial District II , Edison Bldg No.-1A,
Plot No.GEN2/1/C/PART, TTC Industrial Area, MIDC, Juinagar, Navi Mumbai 400705, India
☎ +91-22-4967-1438 · ☎ +91-22-4967-1439 · o.ashar@wiska.in · www.wiska.in