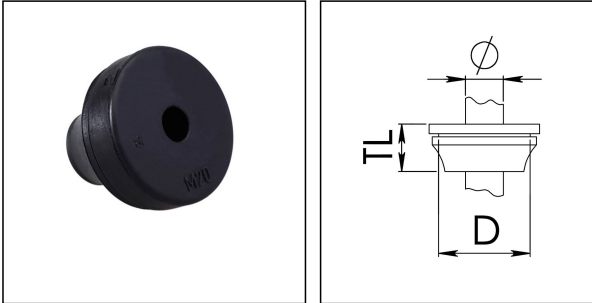


## FD 40 BK

FLIP cable grommet, EPDM, RAL 9005, M40



Products may differ in size, colour and appearance to those shown. If you require further information or customisation, please contact us directly.



<b>Material</b>	EPDM
<b>Temp. range min</b>	-40 °C
<b>Temp. range max</b>	110 °C
<b>Protection class</b>	IP66 / IP67
<b>Thread type</b>	M
<b>Ø Connection thread D</b>	40
<b>Ø cable diameter min</b>	19 mm
<b>Ø cable diameter max</b>	28 mm
<b>Total length TL</b>	30 mm
<b>Ø Drilling</b>	40 mm - 41 mm
<b>Wall thickness S</b>	1 mm - 4 mm
<b>Product Color</b>	RAL 9005
<b>Order no. RAL 9005</b>	50062896
<b>Type</b>	FD 40 BK
<b>Packing unit</b>	25
<b>EAN number</b>	4007685628969
<b>Tariff number</b>	40169300
<b>ETIM-Classification</b>	EC000451

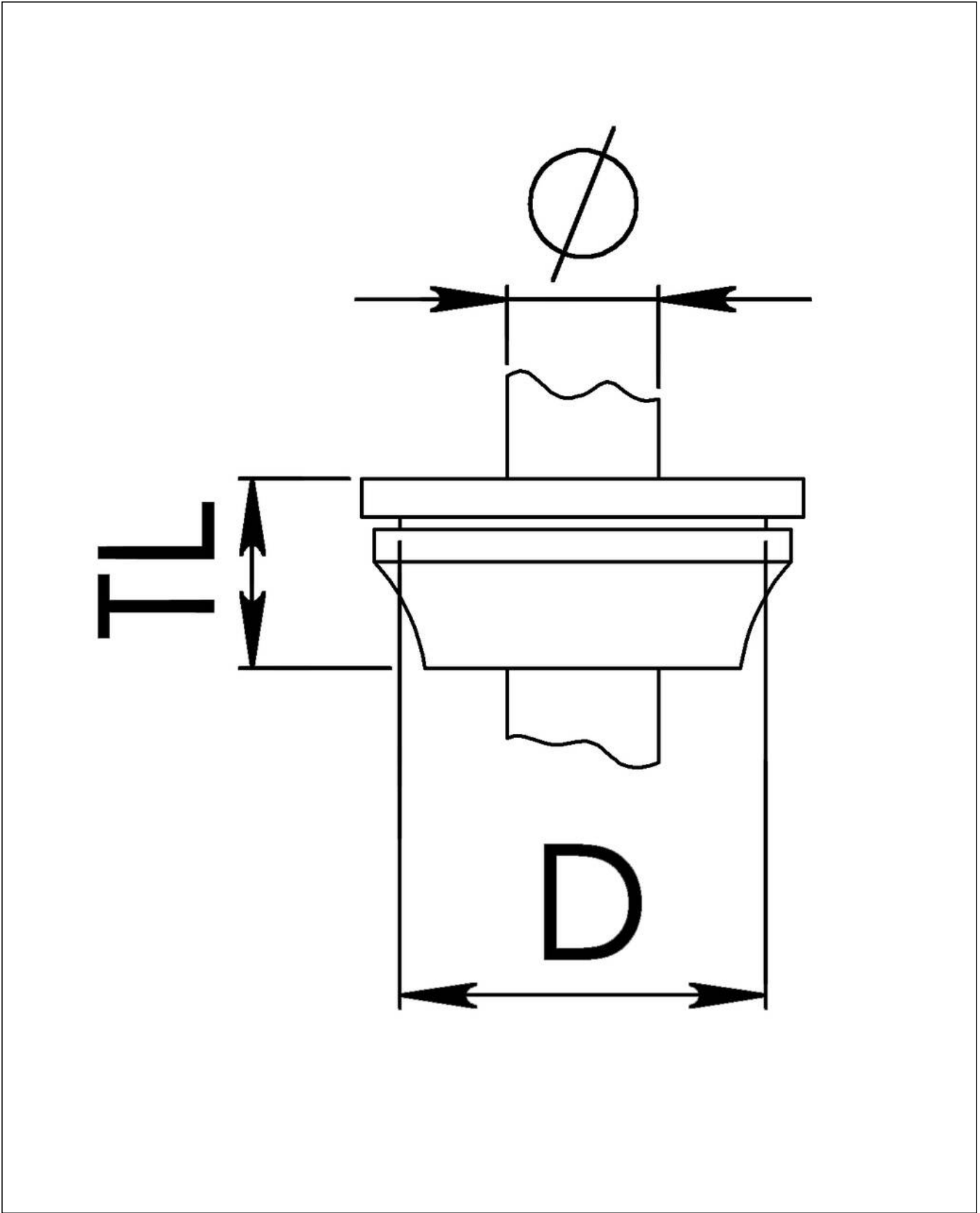
27.06.2026

Your Contact:

**WISKA India Pvt. Ltd.**

Mr. Omkar Ashar · Unit No.247/248,Raheja Tesla Industrial District II , Edison Bldg No.-1A,  
Plot No.GEN2/1/C/PART, TTC Industrial Area, MIDC, Juinagar, Navi Mumbai 400705, India

☎ +91-22-4967-1438 · ☎ +91-22-4967-1439 · o.ashar@wiska.in · www.wiska.in



Your Contact:  
**WISKA India Pvt. Ltd.**  
Mr. Omkar Ashar · Unit No.247/248,Raheja Tesla Industrial District II , Edison Bldg No.-1A,  
Plot No.GEN2/1/C/PART, TTC Industrial Area, MIDC, Juinagar, Navi Mumbai 400705, India  
☎ +91-22-4967-1438 · ☎ +91-22-4967-1439 · o.ashar@wiska.in · www.wiska.in