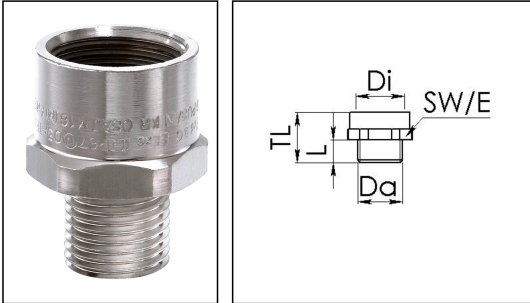


## OSAJ 25 / M16(M)\*M25(F)

Ex d enlargement adaptor, brass nickel-plated, M16-M25



Products may differ in size, colour and appearance to those shown. If you require further information or customisation, please contact us directly.



|                                 |                         |
|---------------------------------|-------------------------|
| <b>Material</b>                 | Brass nickel-plated     |
| <b>Temp. range min</b>          | -60 °C                  |
| <b>Temp. range max</b>          | 110 °C                  |
| <b>Protection class</b>         | IP66 / IP67             |
| <b>Type of protection</b>       | Ex eb, Ex db, Ex tb     |
| <b>Ex-Certificate</b>           | IECEX, ATEX             |
| <b>Thread type outer</b>        | M                       |
| <b>Ø outer thread</b>           | 16                      |
| <b>Lead outer</b>               | 1,5                     |
| <b>Thread type inner</b>        | M                       |
| <b>Ø inner thread</b>           | 25                      |
| <b>Lead inner</b>               | 1,5                     |
| <b>Length screw-in thread L</b> | 15 mm                   |
| <b>Key width SW</b>             | 31 mm                   |
| <b>Collar diameter (E)</b>      | 34 mm                   |
| <b>Total length TL</b>          | 36 mm                   |
| <b>Surface</b>                  | Nickel-plated           |
| <b>Order no. nickel-plated</b>  | 50065687                |
| <b>Type</b>                     | OSAJ 25 / M16(M)*M25(F) |
| <b>Packing unit</b>             | 1                       |
| <b>Tariff number</b>            | 74198090                |
| <b>EAN number</b>               | 4007685656870           |
| <b>ETIM-Classification</b>      | EC000938                |

Your Contact:

WISKA India Pvt. Ltd.

Mr. Omkar Ashar · Unit No.247/248,Raheja Tesla Industrial District II , Edison Bldg No.-1A,  
Plot No.GEN2/1/C/PART, TTC Industrial Area, MIDC, Juinagar, Navi Mumbai 400705, India



☎ +91-22-4967-1438 · ☎ +91-22-4967-1439 · o.ashar@wiska.in · www.wiska.in

27.06.2026

Your Contact:

**WISKA India Pvt. Ltd.**

Mr. Omkar Ashar · Unit No.247/248,Raheja Tesla Industrial District II , Edison Bldg No.-1A,  
Plot No.GEN2/1/C/PART, TTC Industrial Area, MIDC, Juinagar, Navi Mumbai 400705, India

 +91-22-4967-1438 ·  +91-22-4967-1439 · [o.ashar@wiska.in](mailto:o.ashar@wiska.in) · [www.wiska.in](http://www.wiska.in)



Your Contact:

**WISKA India Pvt. Ltd.**

Mr. Omkar Ashar · Unit No.247/248,Raheja Tesla Industrial District II , Edison Bldg No.-1A,  
Plot No.GEN2/1/C/PART, TTC Industrial Area, MIDC, Juinagar, Navi Mumbai 400705, India

☎ +91-22-4967-1438 · ☎ +91-22-4967-1439 · o.ashar@wiska.in · www.wiska.in

Other technical data on request / subject to change without notice