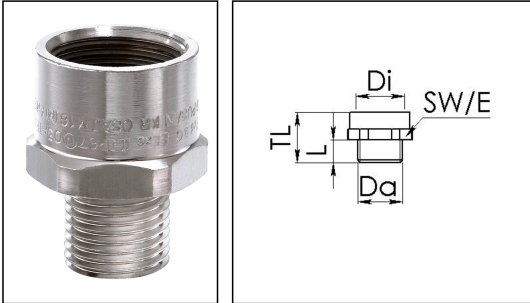


OSAJ 50 / M32(M)*M50(F)

Ex d enlargement adaptor, brass nickel-plated, M32-M50



Products may differ in size, colour and appearance to those shown. If you require further information or customisation, please contact us directly.



| | |
|---------------------------------|-------------------------|
| Material | Brass nickel-plated |
| Temp. range min | -60 °C |
| Temp. range max | 110 °C |
| Protection class | IP66 / IP67 |
| Type of protection | Ex eb, Ex db, Ex tb |
| Ex-Certificate | IECEX, ATEX |
| Thread type outer | M |
| Ø outer thread | 32 |
| Lead outer | 1,5 |
| Thread type inner | M |
| Ø inner thread | 50 |
| Lead inner | 1,5 |
| Length screw-in thread L | 15 mm |
| Key width SW | 57 mm |
| Collar diameter (E) | 61 mm |
| Total length TL | 40 mm |
| Surface | Nickel-plated |
| Order no. nickel-plated | 50065696 |
| Type | OSAJ 50 / M32(M)*M50(F) |
| Packing unit | 1 |
| Tariff number | 74198090 |
| EAN number | 4007685656962 |
| ETIM-Classification | EC000938 |

Your Contact:

WISKA India Pvt. Ltd.

Mr. Omkar Ashar · Unit No.247/248,Raheja Tesla Industrial District II , Edison Bldg No.-1A,
Plot No.GEN2/1/C/PART, TTC Industrial Area, MIDC, Juinagar, Navi Mumbai 400705, India



☎ +91-22-4967-1438 · ☎ +91-22-4967-1439 · o.ashar@wiska.in · www.wiska.in

27.06.2026

Your Contact:

WISKA India Pvt. Ltd.

Mr. Omkar Ashar · Unit No.247/248,Raheja Tesla Industrial District II , Edison Bldg No.-1A,
Plot No.GEN2/1/C/PART, TTC Industrial Area, MIDC, Juinagar, Navi Mumbai 400705, India

 +91-22-4967-1438 ·  +91-22-4967-1439 · o.ashar@wiska.in · www.wiska.in



Your Contact:

WISKA India Pvt. Ltd.

Mr. Omkar Ashar · Unit No.247/248, Raheja Tesla Industrial District II , Edison Bldg No.-1A,
Plot No.GEN2/1/C/PART, TTC Industrial Area, MIDC, Juinagar, Navi Mumbai 400705, India

☎ +91-22-4967-1438 · ☎ +91-22-4967-1439 · o.ashar@wiska.in · www.wiska.in

Other technical data on request / subject to change without notice