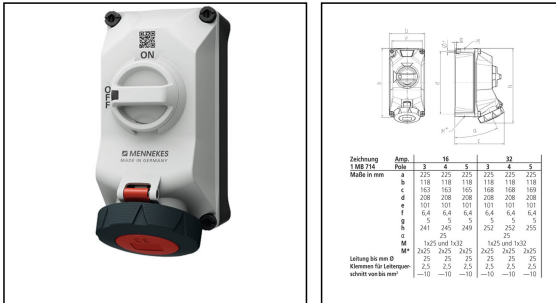


SO-32A-FS-440V-4P-3H-IP67-K02-C01-A02

CEE Wall mounted receptacle switched, 32A 440V 3h, plastic, IP67



Products may differ in size, colour and appearance to those shown. If you require further information or customisation, please contact us directly.

WISKA-Order no.	50100228
Type	SO-32A-FS-440V-4P-3H-IP67-K02-C01-A02
Material	Plastic
Current	32 A
Voltage max. (V)	440 V
Protection class	IP67
Number of sockets	1
Temp. range min	-25 °C
Temp. range max	55 °C
Clock face position	3h
Socket insert	3 - poles + PE
Mounting	Surface mounting
Weight	1,18 kg
Tariff number	85366990

Remarks:

Contact: nickel plated contacts, highly
heat resistant contact carrier
Connection technology: Screw terminals

- can be switched off
- with DUO-mechanical interlock
- without cable glands

Pre-stamping for cable entry:

1x M32, 3x M25

Your Contact:

WISKA India Pvt. Ltd.

Mr. Omkar Ashar · Unit No.247/248,Raheja Tesla Industrial District II , Edison Bldg No.-1A,
Plot No.GEN2/1/C/PART, TTC Industrial Area, MIDC, Juinagar, Navi Mumbai 400705, India

☎ +91-22-4967-1438 · ☎ +91-22-4967-1439 · o.ashar@wiska.in · www.wiska.in

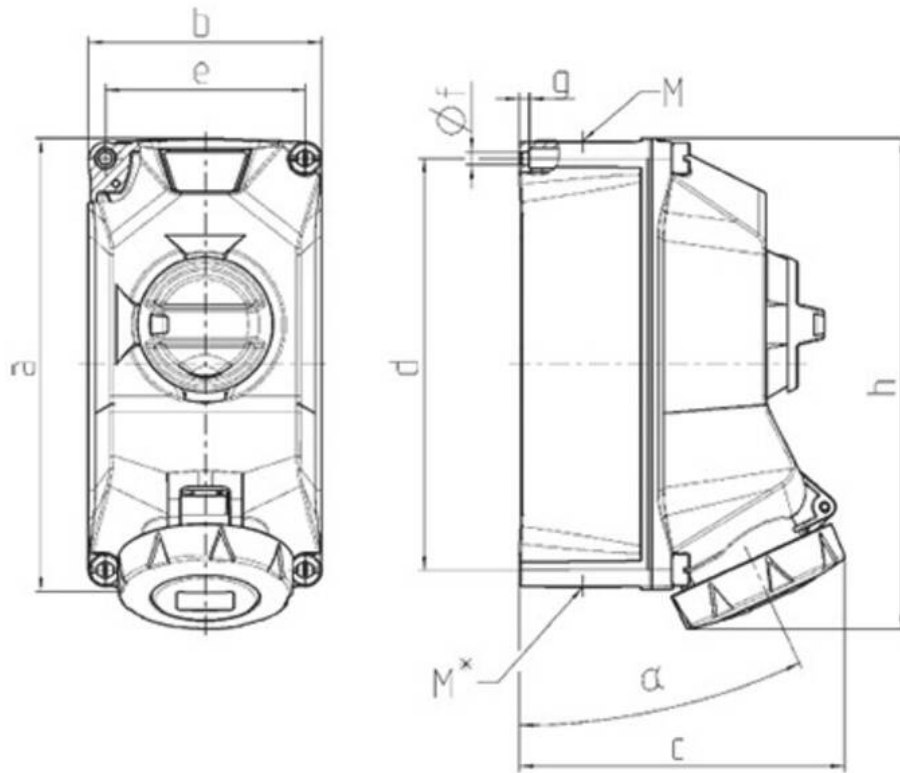
12.05.2026

Your Contact:

WISKA India Pvt. Ltd.

Mr. Omkar Ashar · Unit No.247/248,Raheja Tesla Industrial District II , Edison Bldg No.-1A,
Plot No.GEN2/1/C/PART, TTC Industrial Area, MIDC, Juinagar, Navi Mumbai 400705, India

☎ +91-22-4967-1438 · ☎ +91-22-4967-1439 · o.ashar@wiska.in · www.wiska.in



Zeichnung 1 MB 714	Amp. Pole	16			32		
		3	4	5	3	4	5
Maße in mm							
a		225	225	225	225	225	225
b		118	118	118	118	118	118
c		163	163	165	168	168	169
d		208	208	208	208	208	208
e		101	101	101	101	101	101
f		6,4	6,4	6,4	6,4	6,4	6,4
g		5	5	5	5	5	5
h		241	245	249	252	252	255
alpha			25			25	
M		1x25 und 1x32			1x25 und 1x32		
M*		2x25	2x25	2x25	2x25	2x25	2x25
Leitung bis mm Ø		25	25	25	25	25	25
Klemmen für Leiterquer- schnitt von bis mm ²		2,5	2,5	2,5	2,5	2,5	2,5
		-10	-10	-10	-10	-10	-10

Your Contact:

WISKA India Pvt. Ltd.

Mr. Omkar Ashar · Unit No.247/248,Raheja Tesla Industrial District II , Edison Bldg No.-1A,
Plot No.GEN2/1/C/PART, TTC Industrial Area, MIDC, Juinagar, Navi Mumbai 400705, India

☎ +91-22-4967-1438 · ☎ +91-22-4967-1439 · o.ashar@wiska.in · www.wiska.in