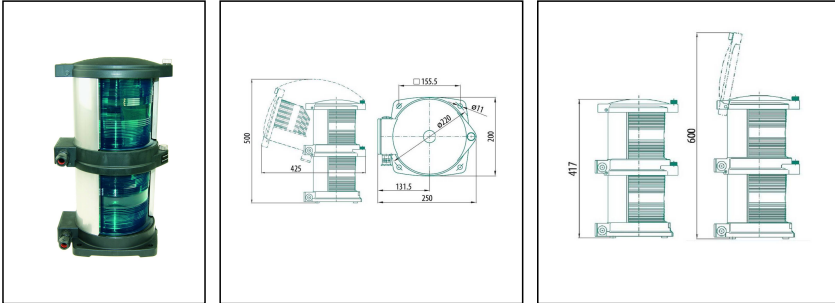


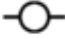
## DSSb-760-GN-230/230-PB

Double side light starboard green 2x65W 230V P28s 3nm 112,5°



Products may differ in size, colour and appearance to those shown. If you require further information or customisation, please contact us directly.



<b>WISKA-Order no.</b>	50100438
<b>Type</b>	DSSb-760-GN-230/230-PB
<b>Material</b>	Polyamide, fibre reinforced
<b>Material globe/diffuser</b>	PMMA
<b>Globe colour</b>	Green
<b>Power<sup>^</sup></b>	2 x 65 W
<b>Voltage</b>	230 V
<b>Type of Voltage</b>	AC
<b>Frequence</b>	50/60 Hz
<b>Protection class</b>	IP56
<b>Operational areas</b>	Outdoor
<b>Temp. range min</b>	-30 °C
<b>Temp. range max</b>	55 °C
<b>Lampholder</b>	P28s
<b>Number of lampholder</b>	2 ST
<b>Lightsource</b>	Incandescent lamp
<b>Lightsource incl.</b>	Yes
<b>Signal range</b>	3nm
<b>Model</b>	Double side light
<b>Sector</b>	112,5°
<b>Using for cable gland</b>	
<b>Material cable gland</b>	Polyamide
<b>Ø cable diameter min</b>	6 mm
<b>Ø cable diameter max</b>	13 mm
<b>Mounting</b>	Upside

Your Contact:

WISKA India Pvt. Ltd.

Mr. Omkar Ashar · Unit No.247/248,Raheja Tesla Industrial District II , Edison Bldg No.-1A,  
Plot No.GEN2/1/C/PART, TTC Industrial Area, MIDC, Juinagar, Navi Mumbai 400705, India

☎ +91-22-4967-1438 · ☎ +91-22-4967-1439 · o.ashar@wiska.in · www.wiska.in

<b>Colour</b>	Black
<b>External dimensions LxWxH</b>	200x250x417mm
<b>Weight</b>	4,1 kg
<b>Approval</b>	DNV-GL, MED, UL, BSH
<b>Tariff number</b>	94054940

Remarks:

- Cable connection via cable connection box

**Recommended accessories**

<b>SP-Rubber pads navigation light (4 pcs)</b>	22000909
<b>Vibration dampers -PB</b>	50107255

**Spare parts**

<b>Bulb 65W 230V P28s -PB</b>	50100452
<b>Lampholder P28s - PB</b>	50101879
<b>Connection cover for lantern 760/780 -PB</b>	50106448
<b>Terminal block for lantern 760/780 -PB</b>	50106871
<b>Cover for lantern 760 cpl.</b>	50107565

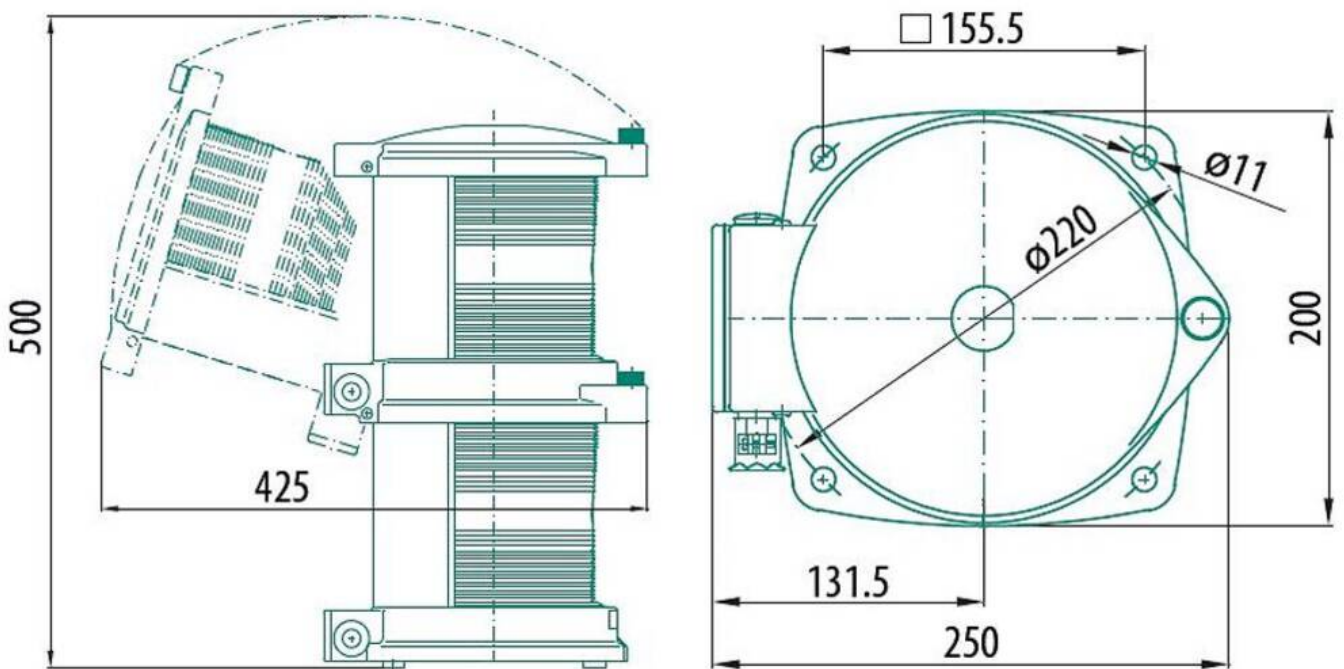
27.06.2026

Your Contact:

**WISKA India Pvt. Ltd.**

Mr. Omkar Ashar · Unit No.247/248,Raheja Tesla Industrial District II , Edison Bldg No.-1A,  
Plot No.GEN2/1/C/PART, TTC Industrial Area, MIDC, Juinagar, Navi Mumbai 400705, India

☎ +91-22-4967-1438 · ☎ +91-22-4967-1439 · o.ashar@wiska.in · www.wiska.in

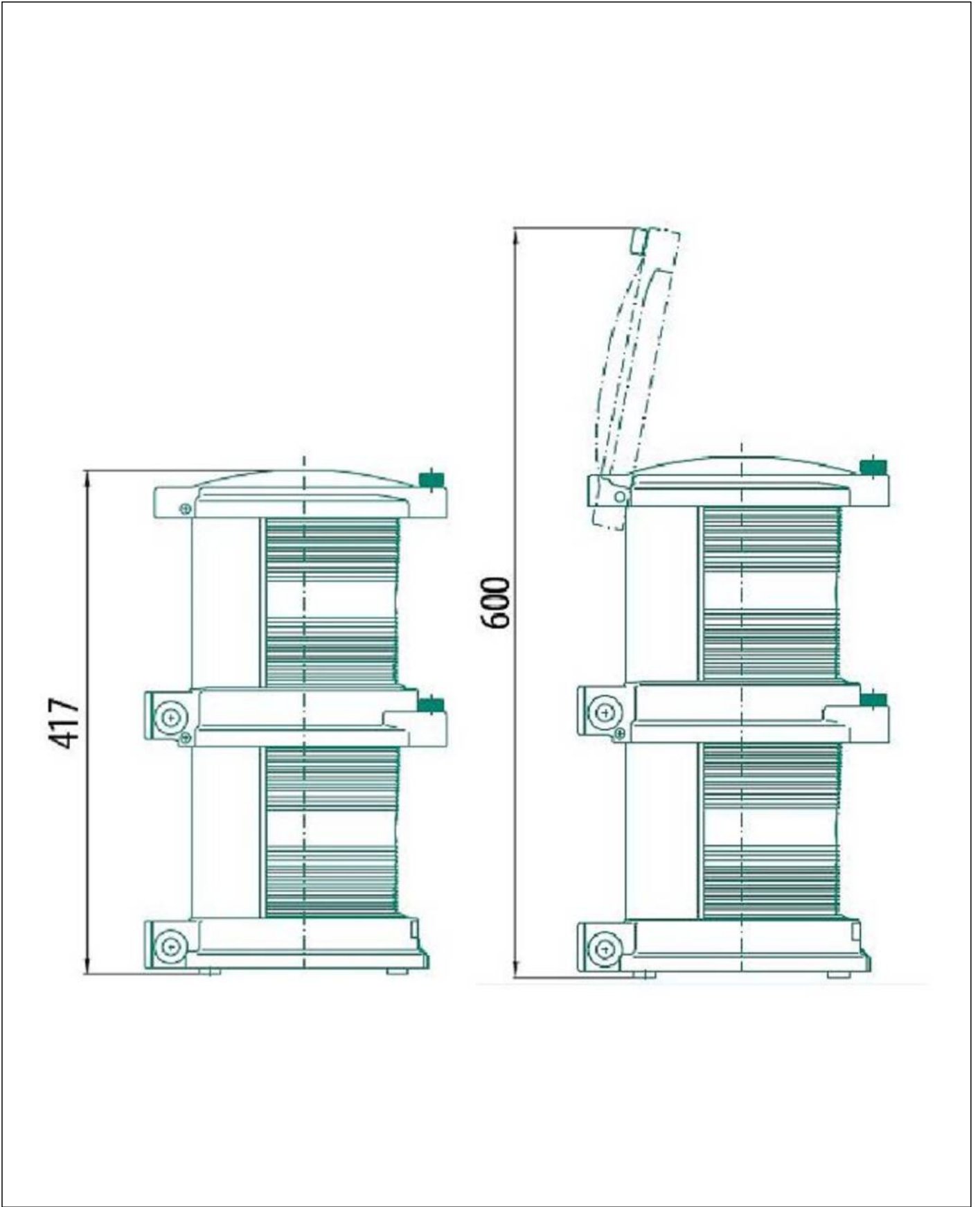


Your Contact:

**WISKA India Pvt. Ltd.**

Mr. Omkar Ashar · Unit No.247/248,Raheja Tesla Industrial District II , Edison Bldg No.-1A,  
Plot No.GEN2/1/C/PART, TTC Industrial Area, MIDC, Juinagar, Navi Mumbai 400705, India

☎ +91-22-4967-1438 · ☎ +91-22-4967-1439 · o.ashar@wiska.in · www.wiska.in



Your Contact:

**WISKA India Pvt. Ltd.**

Mr. Omkar Ashar · Unit No.247/248,Raheja Tesla Industrial District II , Edison Bldg No.-1A,  
Plot No.GEN2/1/C/PART, TTC Industrial Area, MIDC, Juinagar, Navi Mumbai 400705, India

☎ +91-22-4967-1438 · ☎ +91-22-4967-1439 · o.ashar@wiska.in · www.wiska.in