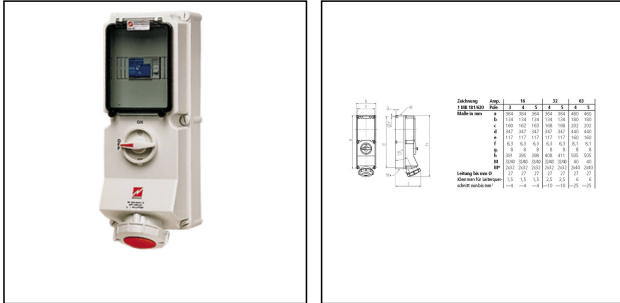


SO-16A-FS-400V-4P-6H-IP67-K03-C01-A03

CEE Wall mounted receptacle switched, 16A 400V 6h, plastic, IP67



Products may differ in size, colour and appearance to those shown. If you require further information or customisation, please contact us directly.

| | |
|----------------------------|---------------------------------------|
| WISKA-Order no. | 50101065 |
| Type | SO-16A-FS-400V-4P-6H-IP67-K03-C01-A03 |
| Material | Plastic |
| Current | 16 A |
| Voltage max. (V) | 400 V |
| Protection class | IP67 |
| Number of sockets | 1 |
| Temp. range min | -25 °C |
| Temp. range max | 45 °C |
| Clock face position | 6h |
| Socket insert | 3 - poles + PE |
| Mounting | Surface mounting |
| Weight | 2,35 kg |
| Variations | on request |
| Tariff number | 85366990 |

Remarks:

Contact: standard

Connection technology: Screw terminals

- switched off
- mechanical DUO-interlock
- RCD (0.03A)
- FI switch
- other leakage current ratings on request
- receptacles can be padlocked

Your Contact:

WISKA India Pvt. Ltd.

Mr. Omkar Ashar · Unit No.247/248,Raheja Tesla Industrial District II , Edison Bldg No.-1A,
Plot No.GEN2/1/C/PART, TTC Industrial Area, MIDC, Juinagar, Navi Mumbai 400705, India

☎ +91-22-4967-1438 · ☎ +91-22-4967-1439 · o.ashar@wiska.in · www.wiska.in

Pre-stamping for cable entry:



3x M32

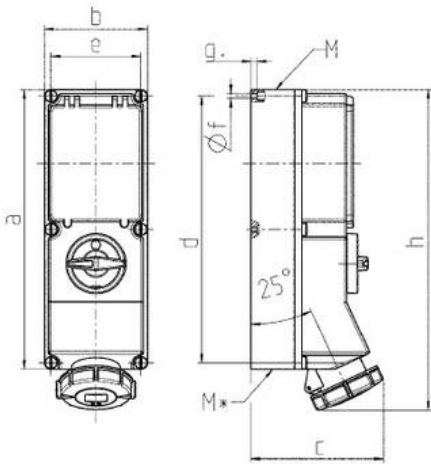
12.05.2026

Your Contact:

WISKA India Pvt. Ltd.

Mr. Omkar Ashar · Unit No.247/248,Raheja Tesla Industrial District II , Edison Bldg No.-1A,
Plot No.GEN2/1/C/PART, TTC Industrial Area, MIDC, Juinagar, Navi Mumbai 400705, India

 +91-22-4967-1438 ·  +91-22-4967-1439 · o.ashar@wiska.in · www.wiska.in



| Zeichnung | Amp. | 16 | | | 32 | | 63 | |
|---------------------|---|-------|-------|-------|-------|-------|------|------|
| | | 3 | 4 | 5 | 4 | 5 | 4 | 5 |
| 1 MB 181/620 | Pole | | | | | | | |
| Maße in mm | a | 364 | 364 | 364 | 364 | 364 | 460 | 460 |
| | b | 134 | 134 | 134 | 134 | 134 | 180 | 180 |
| | c | 160 | 162 | 163 | 168 | 168 | 202 | 202 |
| | d | 347 | 347 | 347 | 347 | 347 | 440 | 440 |
| | e | 117 | 117 | 117 | 117 | 117 | 160 | 160 |
| | f | 6,3 | 6,3 | 6,3 | 6,3 | 6,3 | 8,1 | 8,1 |
| | g | 8 | 8 | 8 | 8 | 8 | 8 | 8 |
| | h | 391 | 395 | 398 | 408 | 411 | 505 | 505 |
| | M | 32/40 | 32/40 | 32/40 | 32/40 | 32/40 | 40 | 40 |
| | M* | 2x32 | 2x32 | 2x32 | 2x32 | 2x32 | 2x40 | 2x40 |
| | Leitung bis mm Ø | 27 | 27 | 27 | 27 | 27 | 27 | 27 |
| | Klemmen für Leiterquerschnitt von bis mm² | 1,5 | 1,5 | 1,5 | 2,5 | 2,5 | 6 | 6 |
| | | -4 | -4 | -4 | -10 | -10 | -25 | -25 |

Your Contact:

WISKA India Pvt. Ltd.

Mr. Omkar Ashar · Unit No.247/248,Raheja Tesla Industrial District II , Edison Bldg No.-1A,
Plot No.GEN2/1/C/PART, TTC Industrial Area, MIDC, Juinagar, Navi Mumbai 400705, India

☎ +91-22-4967-1438 · ☎ +91-22-4967-1439 · o.ashar@wiska.in · www.wiska.in